



捷嘉電子(中國)有限公司



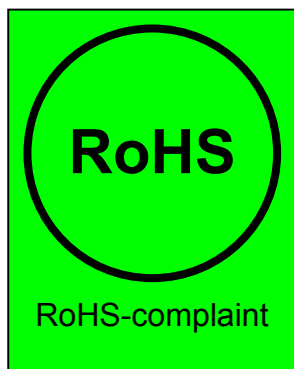
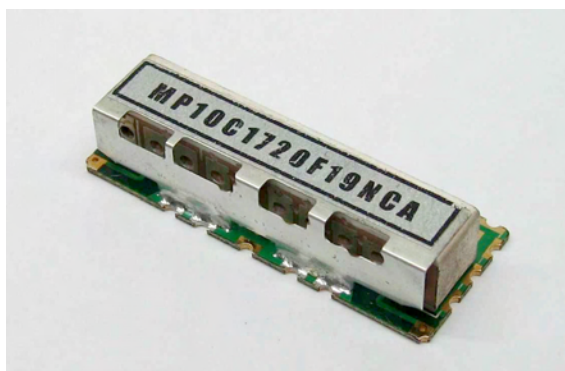
CHEQUERS ELECTRONIC (CHINA) LIMITED

Dielectric Device Unit





Dielectric Ceramic Devices



No.	SGS Report No.	Report Date



Attention

Products of Chequers Electronic (China) Limited (hereafter “Chequers”) shall not be used within any critical systems, which require especially high reliability. Critical systems mean, if such systems fail, one can reasonably expect that failure in such systems will result in damage to a third party’s life, body or property. In case products of Chequers must be used in critical systems, please consult with our sales representatives before using products from Chequers.

When using CQ products...

1. Do not apply voltage exceeding the rated voltage of components
2. Be certain not to operate outside the recommended operating temperature range of components
3. Be careful of soldering temperature and duration of components when soldering
4. Do not place soldering iron on the body of components
5. Be careful not to subject the terminals or leads of components to excessive force
6. Pay attention to the type of flux cleaning solvents that may damage components
7. Please contact our sales representatives or engineers before using the products specified in this specification sheet for the following equipment, which require high reliability, and if such equipment fails, which might damage to a third party’s life, body or property.
 - (i) Aerospace equipment
 - (ii) Medical equipment
 - (iii) Power plant equipment
 - (iv) Transportation equipment
 - (v) Traffic control equipment
 - (vi) Disaster control / prevention equipment
 - (vii) Undersea navigational equipment
 - (viii) Data-processing equipment
 - (ix) Or equipment that requires similar complexity and / or reliability of above equipment
8. Product specifications in this specification sheet are as of the date that is printed on, and they are for reference only. They are subject to change or discontinue without prior notice. Please check with our sales representative or engineers for details.
9. When using our products, please do not exceed the requirements and conditions specified in this specification sheet.
10. Should there be any doubt when using our products, please consult our sales representative or engineers before using our products.



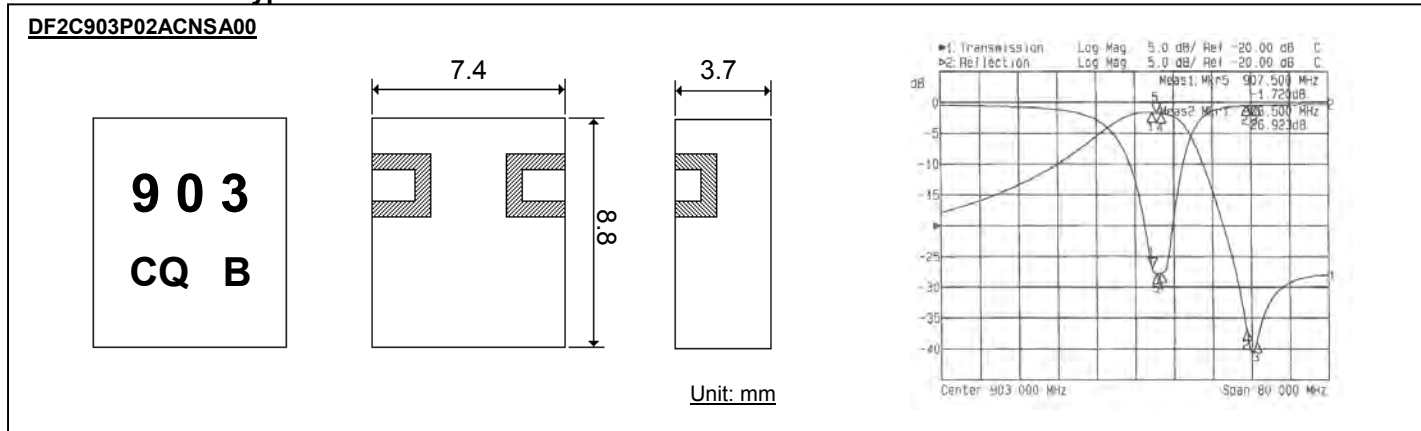
Content

*Dielectric Filter SMD (MF Type)	620 ~ 2450 MHz
*Dielectric Filter THT (PF Type)	800 ~ 1800 MHz
*Dielectric Filter SMD (AF Type)	830 ~ 2145 MHz
*Dielectric Filter THT (AF Type)	826 ~ 2750 MHz
*Dielectric Filter SMD (MC/MF/MP Mono Type)	830 ~ 3600 MHz
*LC Dielectric Filter SMD	
*LC Dielectric Filter (PF Type)	
*Dielectric Duplexer SMD (AD Array Type)	830~2500 MHz
*Dielectric Duplexer SMD (Array and Mono Type)	830~3550 MHz
*LC Dielectric Duplexer	
*Dielectric Resonator (Coaxial Type)	400~3000 MHz
*Dielectric Resonator (Round Shabe Ceramic)	500MHz~20 GHz
*Dielectric Patch Antenna	869~2450 MHz



Dielectric Filter (MF Type)

• Dimension and Typical Characteristics



• Electrical Characteristics

Part Number	Center Frequency fo (MHz)	Pass Band Bandwidth (MHz)	Insertion Loss (dB max.)	VSWR max.	Stop Band Attenuation (dB min.)	Dimension W x L x H (mm)
DF2C620P10ASNSA00	620	fo±5.0	2.5	2.0	40 (fo-117.5MHz) 20 (fo+117.5MHz)	7.4 x 10.9 x 3.7
DF2C670P10ASNSA00	670	fo±5.0	2.5	2.0	40 (fo-117.5MHz) 20 (fo+117.5MHz)	7.4 x 10.0 x 3.7
DF2C796P06ASNSA00	796.6	fo±3.0	2.0	1.5	30 (fo-65MHz) 20 (fo+65MHz)	7.4 x 8.5 x 3.7
DF2C808P02AENSA00	808.35	fo±1.0	3.5	2.0	35 (fo+25MHz) 15 (fo-25MHz)	7.4 x 10.0 x 3.7
DF2C818P02AENSA00	817.95	fo±1.0	3.5	2.0	35 (fo+25MHz) 15 (fo-25MHz)	7.4 x 9.9 x 3.7
DF2C903P02ACNSA00	903	fo±1.0	3.5	2.0	25 (fo+24MHz) 20 (fo-24MHz)	7.4 x 8.8 x 3.7
DF2C903P02AENSA00	903	fo±1.0	3.5	2.0	35 (fo+24MHz) 15 (fo-24MHz)	7.4 x 8.8 x 3.7
DF2C903P02BCSSA00	903	fo±1.0	3.5	2.0	20 (fo+24MHz) 15 (fo-24MHz)	6.0 x 8.8 x 3.0
DF2C903P02BESSA00	903	fo±1.0	3.5	2.0	15 (fo-24MHz) 30 (fo+24MHz)	6.0 x 8.8 x 3.0
DF2C907P02ACNUA00	906.5	fo±1.0	3.0	2.0	27 (926.5MHz)	7.7 x 9.1 x 4.4
DF2C914P01BCSSA00	914.5	fo±0.5	3.5	2.0	24 (fo-44MHz) 30 (fo+44MHz)	6.8 x 8.7 x 3.0
DF2C915P26BSSSA00	915	fo±13.0	2.5	2.0	27 (fo-77.5MHz) 17 (fo+77.5MHz)	5.8 x 7.3 x 2.9
DF2C927P02ACNSA00	927	fo±1.0	3.5	2.0	25 (fo-24MHz) 20 (fo+24MHz)	7.4 x 8.6 x 3.7
DF2C927P02AENSA00	927	fo±1.0	3.5	2.0	35 (fo-24MHz) 15 (fo+24MHz)	7.4 x 8.7 x 3.7
DF2C927P02BCSSA00	927	fo±1.0	3.5	2.0	20 (fo-24MHz) 15 (fo+24MHz)	6.0 x 8.6 x 3.0
DF2C927P02BESSA00	927	fo±1.0	3.5	2.0	15 (fo+24MHz) 30 (fo-24MHz)	6.0 x 8.6 x 3.0
DF2C959P01BCSSA00	959.5	fo±0.5	3.5	2.0	24 (fo-44MHz) 30 (fo+44MHz)	6.0 x 8.2 x 3.0
DF2A1906P24BCSE	1906.5	fo±12.0	0.6	1.5	35 (fo-480MHz) 15 (fo-240MHz) 4 (fo+240MHz) 15 (2fo)	6.2 x 7.2 x 3.1

- For other frequencies or specifications, please consult with our sales representatives for details.



● **Electrical Characteristics** (continued from the preceding page)

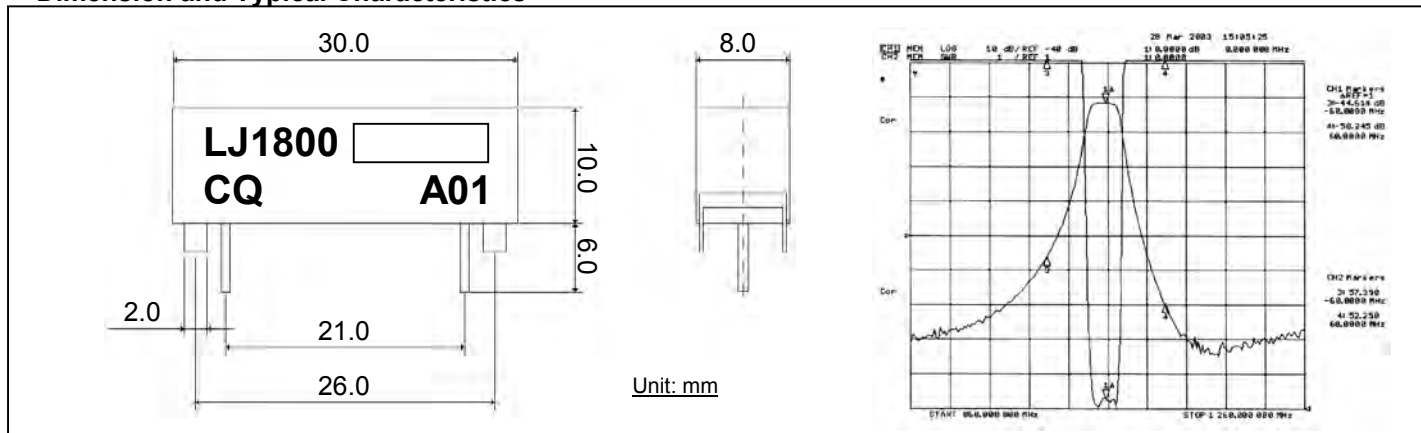
Part Number	Center Frequency fo (MHz)	Pass Band Bandwidth (MHz)	Insertion Loss (dB max.)	VSWR max.	Stop Band Attenuation (dB min.)	Dimension W x L x H (mm)
DF2C1575P10ACSSA00	1575.42	fo±5.0	3.0	2.0	20 (fo-50MHz) 20 (fo+50MHz)	7.05 x 5.05 x 2.85
DF2C1575P10BCSSA00	1575.42	fo±5.0	3.0	2.0	19 (fo-50MHz) 15 (fo+50MHz)	5.80 x 5.05 x 2.90
DF2C1575P10BCSSA01	1575.42	fo±5.0	3.0	2.0	15 (fo-50MHz) 15 (fo+50MHz)	5.80 x 5.05 x 2.90
DF2C1890P20BCSSA00	1890	fo±10.0	2.5	2.0	25 (fo-100MHz) 20 (fo+100MHz)	5.7 x 4.3 x 2.85
DF2C1907P25BCSSA00	1907	fo±12.5	1.9	2.0	40 (fo-482MHz) 40 (fo-467MHz) 45 (fo-252MHz) 45 (fo-227MHz)	4.8 x 4.25 x 2.8
DF2C2403P06ACNSA00	2403.75	fo±3.0	3.5	2.0	35 (fo+72MHz)	7.4 x 7.0 x 3.7
DF2C2403P06BESEA00	2403.75	fo±3.0	3.2	2.0	33 (fo+72MHz)	6.0 x 7.0 x 3.0
DF2C2442P83BSSLA00	2442	fo±41.5	1.5	2.0	35 (fo-291.5MHz)	5.05 x 3.20 x 1.90
DF2C2475P06ACNSA00	2475.75	fo±3.0	3.5	2.0	35 (fo-72MHz)	7.4 x 6.8 x 3.7
DF2C2475P06BESEA00	2475.75	fo±3.0	3.2	2.0	33 (fo-72MHz)	6.0 x 6.8 x 3.0
DF3C2326P12ACNSA00	2326	fo±6.0	5.0	2.0	29 (fo-101MHz) 3 (fo-12MHz) 3 (fo+12MHz) 12 (fo+16MHz) 12 (fo+74MHz) 17 (fo+100MHz) 32 (fo+174MHz)	7.2 x 7.1 x 3.2
DF3C2442P85BSSSA00	2442	fo±42.5	2.5	2.0	40 (fo-500MHz) 30 (fo-250MHz) 45 (fo+250MHz) 38 (fo+500MHz)	5.70 x 4.40 x 2.00

- For other frequencies or specifications, please consult with our sales representatives for details.



Dielectric Filter (PF Type)

• Dimension and Typical Characteristics



• Electrical Characteristics

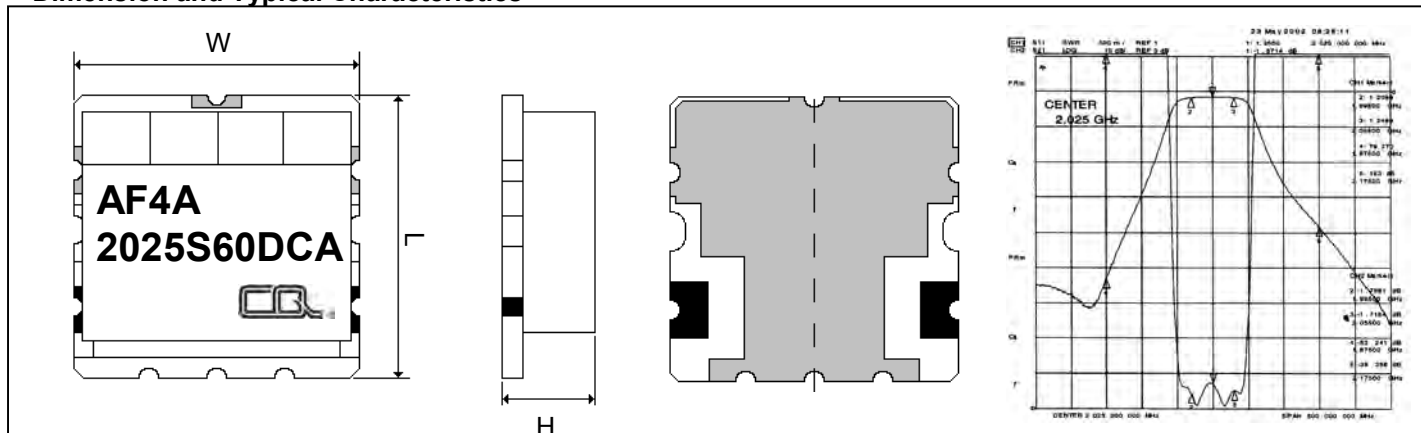
Part Number	Center Frequency fo (MHz)	-1 dB Bandwidth (MHz)	Insertion Loss (dB max.)	Ripple in Bandwidth (dB max.)	VSWR max.	Stop Band Attenuation (dB min.)	Operating Temperature (°C)
LJ1800E30B-AA00	800-1000	fo±15	1.8	0.5	1.8	60 (fo±160MHz)	-55 to +85
LJ1800E40B-AA00	1000-1200	fo±20	1.8	0.5	1.8	60 (fo±160MHz)	
LJ1800E50B-AA00	1200-1500	fo±25	1.8	0.5	1.8	50 (fo±160MHz)	
LJ1800E60B-AA00	1500-1800	fo±30	1.8	0.5	1.8	50 (fo±160MHz)	
LJ1800E24B-BA00	800-1000	fo±12	2.0	0.5	1.8	60 (fo±120MHz)	
LJ1800E30B-BA00	1000-1200	fo±15	2.0	0.5	1.8	60 (fo±120MHz)	
LJ1800E35B-BA00	1200-1500	fo±17.5	2.0	0.5	1.8	50 (fo±120MHz)	
LJ1800E40B-BA00	1500-1800	fo±20	2.0	0.5	1.8	50 (fo±120MHz)	
LJ1800E15B-CA00	800-1000	fo±7.5	2.4	0.5	1.8	60 (fo±100MHz)	
LJ1800E20B-CA00	1000-1200	fo±10	2.4	0.5	1.8	60 (fo±100MHz)	
LJ1800E25B-CA00	1200-1500	fo±12	2.4	0.5	1.8	50 (fo±100MHz)	
LJ1800E30B-CA00	1500-1800	fo±15	2.4	0.5	1.8	50 (fo±100MHz)	
LJ1800E15B-DA00	800-1000	fo±7.5	3.0	0.5	1.8	70 (fo±100MHz)	
LJ1800E20B-DA00	1000-1200	fo±10	3.0	0.5	1.8	70 (fo±100MHz)	
LJ1800E25B-DA00	1200-1500	fo±12.5	3.0	0.5	1.8	60 (fo±100MHz)	
LJ1800E30B-DA00	1500-1800	fo±15	3.0	0.5	1.8	60 (fo±100MHz)	

- For other frequencies or specifications, please consult with our sales representatives for details.



Dielectric Filter (AF Type)

• Dimension and Typical Characteristics



• Electrical Characteristics

Part Number	Center Frequency fo (MHz)	Bandwidth (MHz)	Insertion Loss (dB max.)	Ripple (dB max.)	VSWR max.	Stop Band Attenuation (dB min.)	Dimension W x L x H (mm)	Application
AF3A830S10KCA	830.0	fo±5.0	1.5	0.3	1.5	30 (fo±50MHz)	20.5 x 15 x 7.5	China CDMA
AF3A875S10KCA	875.0	fo±5.0	1.5	0.3	1.5	30 (fo±50MHz)	20.5 x 15 x 7.5	
AF4A830S10DCA	830.0	fo±5.0	3.0	0.8	1.5	35 (fo±50MHz)	13 x 16 x 4.5	
AF4A875S10DCA	875.0	fo±5.0	3.0	0.8	1.5	35 (fo±50MHz)	13 x 16 x 4.5	
AF5A830S10HCA	830.0	fo±5.0	3.0	0.5	1.5	55 (fo±50MHz)	26 x 16 x 6.5	
AF5A875S10HCA	875.0	fo±5.0	3.0	0.5	1.5	55 (fo±50MHz)	26 x 16 x 6.5	
AF6A830S10KCA	830.0	fo±5.0	4.0	0.5	1.5	60 (fo±50MHz)	38 x 23 x 7.5	
AF6A875S10KCA	875.0	fo±5.0	4.0	0.5	1.5	60 (fo±50MHz)	38 x 23 x 7.5	
AF3A902S25DCA	902.5	fo±12.5	2.5	1.0	1.7	12 (fo±32.5MHz)	10 x 14 x 4.5	GSM
AF3A947S25DCA	947.5	fo±12.5	2.5	1.0	1.7	12 (fo±32.5MHz)	10 x 14 x 4.5	
AF3A902F25DCB	902.5	fo±12.5	2.2	0.6	2.0	12 (fo±32.5MHz)	10 x 14 x 4.5	
AF3A947F25DCB	947.5	fo±12.5	2.2	0.6	2.0	12 (fo±32.5MHz)	10 x 14 x 4.5	
AF5B902F25HCA	902.5	fo±12.5	3.0	1.0	1.5	38 (fo±32.5MHz)	26 x 16 x 6.5	
AF5B947F25HCA	947.5	fo±12.5	3.0	1.0	1.5	45 (fo±32.5MHz)	26 x 16 x 6.5	IMT-2000
AF4A1950S60DCA	1950.0	fo±30.0	3.0	1.0	1.5	35 (fo±160MHz)	13.5 x 12.5 x 4.5	
AF4A2140S60DCA	2140.0	fo±30.0	3.0	1.0	1.5	45 (fo±160MHz)	13.5 x 12.5 x 4.5	
AF5A1950S60HCA	1950.0	fo±30.0	2.5	1.0	1.5	55 (fo±160MHz)	23 x 15 x 5.5	
AF5A2140S60HCA	2140.0	fo±30.0	2.5	1.0	1.5	55 (fo±160MHz)	23 x 15 x 5.5	
AF3A1747F75DCA	1747.5	fo±37.5	2.0	1.0	2.0	8 (fo±80MHz)	10 x 8.0 x 4.5	DCS
AF3A1842F75DCA	1842.5	fo±37.5	2.0	1.0	2.0	8 (fo±80MHz)	10 x 8.0 x 4.5	
AF4A1747S75DCA	1747.5	fo±37.5	3.0	1.3	1.8	50 (fo±200MHz)	13 x 10 x 4.5	
AF4A1842S75DCA	1842.5	fo±37.5	3.0	1.3	1.8	50 (fo±200MHz)	13 x 10 x 4.5	
AF6A1747F75KCA	1747.5	fo±37.5	3.5	2.0	1.5	25 (fo±57.5MHz)	38 x 16 x 8.0	
AF6A1842F75KCA	1842.5	fo±37.5	3.5	2.0	1.5	25 (fo±57.5MHz)	38 x 16 x 8.0	

- For other frequencies or specifications, please consult with our sales representatives for details.



● Electrical Characteristics (continued from the preceding page)

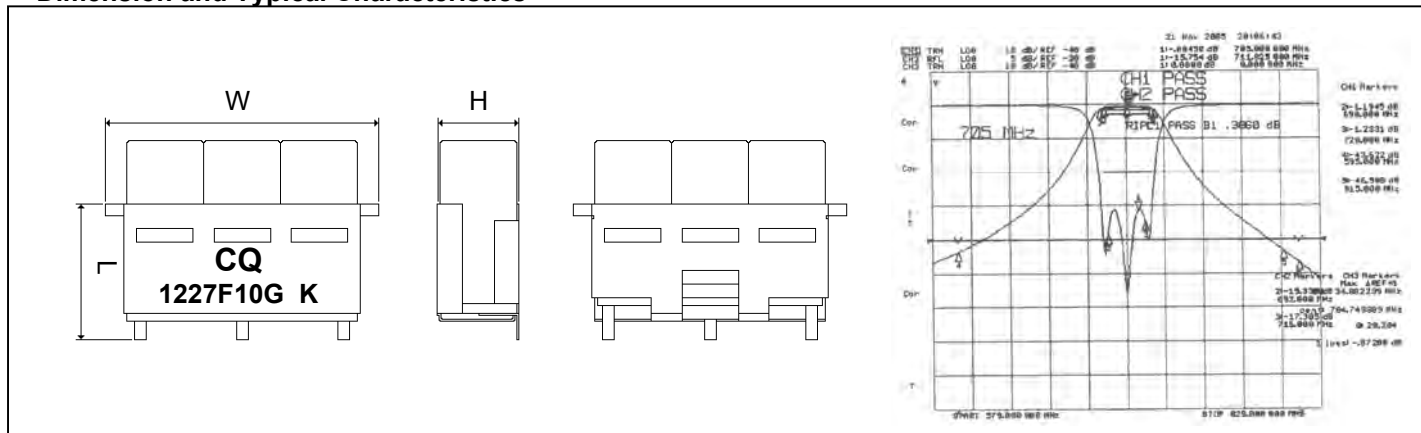
Part Number	Center Frequency fo (MHz)	Bandwidth (MHz)	Insertion Loss (dB max.)	Ripple (dB max.)	VSWR max.	Stop Band Attenuation (dB min.)	Dimension W x L xH (mm)	Application
AF4A1880S60DCA	1880.0	fo±30.0	2.5	1.0	1.8	20 (fo±80MHz)	13 x 12 x 4.5	US-PCS
AF4A1960S60DCC	1960.0	fo±30.0	2.5	1.0	1.8	20 (fo±80MHz)	13 x 12 x 4.5	
AF5B1880F60KCA	1880.0	fo±30.0	3.5	1.5	1.5	30 (fo+50MHz)	32 x 17 x 7.5	
AF5B1960F60KCA	1960.0	fo±30.0	3.5	1.5	1.5	35 (fo-50MHz)	32 x 17 x 7.5	
AF7A1880F60KCA	1880.0	fo±30.0	3.5	1.5	1.5	50 (fo+50MHz)	44 x 16 x 8.0	
AF7A1960F60KCA	1960.0	fo±30.0	3.5	1.5	1.5	50 (fo-50MHz)	44 x 16 x 8.0	
AF4A409F07KCA	409.5	fo±3.5	3.0	0.8	1.7	30 (fo+13.5MHz)	26 x 24 x 7.5	WLL
AF4A426F07KCA	426.5	fo±3.5	3.0	0.8	1.7	30 (fo-13.5MHz)	26 x 24 x 7.5	
AF4A836S25DCA	836.5	fo±12.5	3.0	0.6	1.5	20 (fo+32.5MHz)	13 x 16 x 4.5	Korea CDMA
AF4A881S25DCA	881.5	fo±12.5	3.0	0.6	1.5	20 (fo-32.5MHz)	13 x 16 x 4.5	
AF3A830F10DCA	830.0	fo±5.0	2.6	1.0	2.0	12 (fo±25MHz)	10 x 14.6 x 4.5	C-CDMA
AF3A875F10DCA	875.0	fo±5.0	2.6	1.0	2.0	12 (fo±25MHz)	10 x 14.6 x 4.5	
AF4A830F10KCB	830.0	fo±5.0	3.0	1.0	1.5	50 (fo+45MHz)	25 x 14 x 7.0	
AF4A875F10KCB	875.0	fo±5.0	3.0	1.0	1.5	50 (fo-45MHz)	25 x 14 x 7.0	
AF6A830F10KCA	830.0	fo±5.0	4.0	0.5	1.5	60 (fo±50MHz)	38 x 18.5 x 7.5	
AF6A875F10KCA	875.0	fo±5.0	4.0	0.5	1.5	60 (fo±50MHz)	38 x 18.5 x 7.5	
AF4A1950S60DCC	1950.0	fo±30.0	2.5	1.0	1.5	30dBc (fo+160MHz)	13 x 12 x 4.5	W-CDMA
AF4A2140S60DCB	2140.0	fo±30.0	2.5	1.0	1.5	40dBc (fo-160MHz)	13 x 12 x 4.5	
AF5A1950F60HCA	1950.0	fo±30.0	2.5	1.0	1.5	55 (fo±160MHz)	26 x 14 x 6.5	
AF5A2140F60HCA	2140.0	fo±30.0	2.5	1.0	1.5	55 (fo±160MHz)	26 x 14 x 6.5	
AF9A870F02KCA	870.0	fo±1.0	15.0	2.0	1.5	70 (fo±10MHz)	56 x 20 x 7.5	Narrow Band
AF9A990F06KCA	990.0	fo±3.0	12.0	2.0	1.5	50 (fo±10MHz)	56 x 20 x 7.5	
AF5A1100F400HCA	1100.0	fo±200	1.5	1.0	1.8	40 (fo-400)	26 x 14 x 6.5	Wide Band
AF6A1000F350KCA	1000.0	fo±175	2.0	0.8	1.5	35 (fo-275)	38 x 18.5 x 7.5	
AF6A1237F575KCA	1237.5	fo±287.5	2.0	0.5	1.5	10 (fo-337.5)	38 x 18.5 x 7.5	
AF10A975F250KCA	975.0	fo±125	3.5	1.7	1.8	40 (fo±170MHz)	62 x 20 x 7.5	
AF3A813F15DCC	813.5	fo±7.5	2.6	1.0	2.0	12 (fo±27.5MHz)	10 x 14 x 4.5	TRS
AF3A858F15DCC	858.5	fo±7.5	2.6	1.0	2.0	12 (fo±27.5MHz)	10 x 14 x 4.5	

- For other frequencies or specifications, please consult with our sales representatives for details.



Dielectric Filter (AF Type – Pin)

• Dimension and Typical Characteristics



• Electrical Characteristics

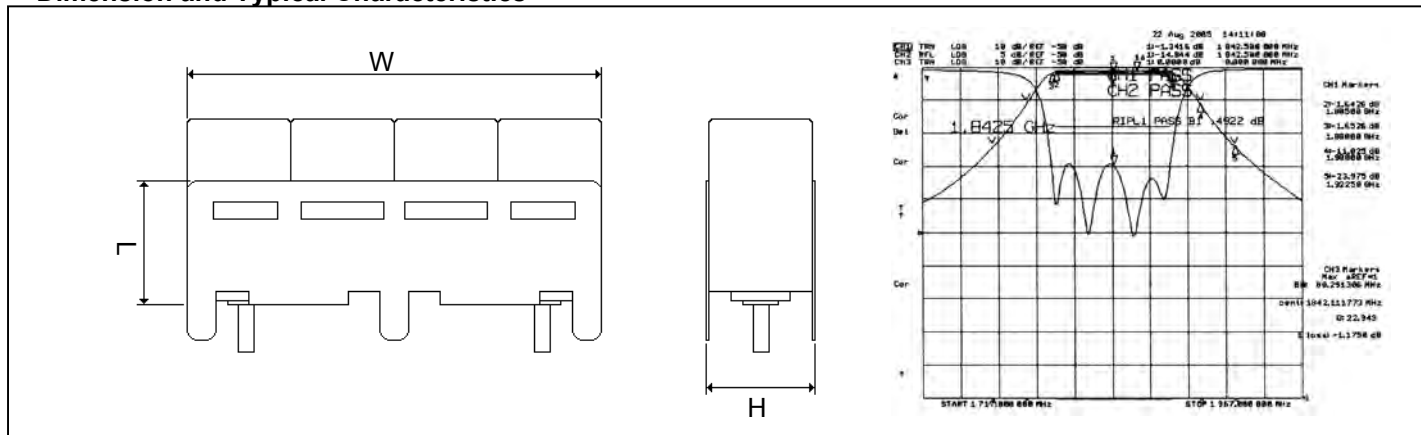
Part Number	Center Frequency fo (MHz)	Bandwidth (MHz)	Insertion Loss (dB max.)	Ripple (dB max.)	VSWR max.	Stop Band Attenuation (dB min.)	Dimension W x L x H (mm)
AF2A826F35GCB	826.0	fo ± 17.5	2.8	1.1	2.9	22.5 (fo±100MHz)	9.6 x 12.5 x 5.0 max.
AF2A915F26GCA	915.0	fo ± 13.0	1.8	0.8	1.95	19.9 (fo±77.5MHz)	
AF2A1227F10GCB	1227.0	fo ± 5.0	1.0	0.35	1.85	22.9 (fo-140MHz) 16.9 (fo+140MHz)	
AF2A1227F20GCC	1227.0	fo ± 10.0	1.2	0.55	1.85	21.9 (fo-140MHz) 17.4 (fo+140MHz)	
AF2A1394F20GCA	1394.0	fo ± 10.0	1.78	0.6	1.85	27.9 (fo±140MHz)	
AF2A1575F10GCE	1575.4	fo ± 5.0	2.5	0.6	2.0	18.4 (fo±50MHz)	
AF2A1690F20GCA	1690.0	fo ± 10.0	1.85	0.85	1.95	15.75 (fo-70MHz) 13.75 (fo+70MHz) 30.75 (fo-140MHz) 25.75 (fo+140MHz)	
AF2A2350F120GCB	2350.0	fo ± 60.0	2.15	1.35	3.05	23.5 (fo-290MHz) 5.5 (fo-120MHz)	
AF2A2642F25GCB	2642.5	fo ± 12.5	1.85	0.65	1.85	39.5 (fo-500MHz) 20.75 (fo-140.5MHz) 37.5 (fo+500MHz)	
AF3A705F30GCA	705.0	fo ± 15.0	2.95	1.15	2.15	40.75 (fo±110MHz)	
AF3A848F36GCA	848.0	fo ± 18.0	3.0	1.15	2.15	38.75 (fo±110MHz)	
AF3A1030F15GCA	1030.0	fo ± 7.5	3.05	0.8	1.45	21.5 (fo±35MHz) 51.5 (fo±140MHz)	
AF3A1296F40GCA	1296.0	fo ± 20.0	3.05	1.85	0.85	37.5 (fo±200MHz)	
AF3A1542F34GCA	1542.0	fo ± 17.0	1.85	0.8	1.85	21.9 (fo-84.5MHz) 18.9 (fo+84.5MHz)	
AF3A1643F34GCA	1643.5	fo ± 17.0	1.5	0.5	1.5	18.9 (fo-67MHz) 28.9 (fo+108MHz)	
AF3A1880F60GCA	1880.0	fo ± 30.0	2.35	1.0	1.85	24.75 (fo±110MHz)	
AF3A2324F28GCA	2324.0	fo ± 14.0	2.8	1.0	2.0	26.5 (fo±128MHz)	
AF3A2745F60GCA	2745.0	fo ± 30.0	2.65	0.85	1.85	40.75 (fo-455MHz) 20.75 (fo+120MHz) 35.5 (fo±128MHz)	

- For other frequencies or specifications, please consult with our sales representatives for details.



Dielectric Filter (AF Type – Pin)

• Dimension and Typical Characteristics



• Electrical Characteristics

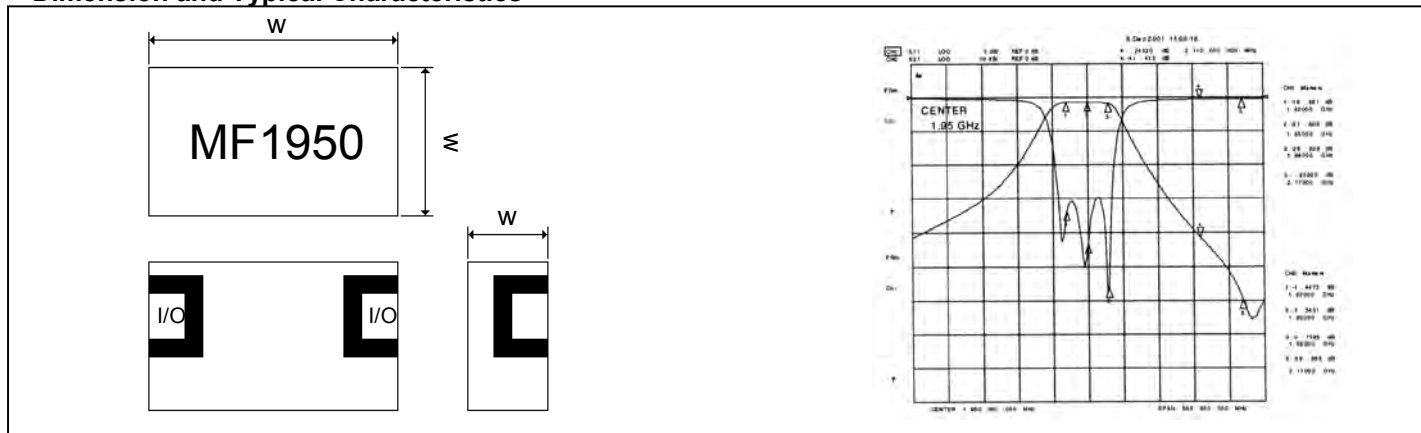
Part Number	Center Frequency fo (MHz)	Bandwidth (MHz)	Insertion Loss (dB max.)	Ripple (dB max.)	VSWR max.	Stop Band Attenuation (dB min.)	Dimension W x L x H (mm)
AF2A734P20KCA	734.5	fo ± 10.0	1.7	0.7	1.9	11.0 (fo±35.5MHz)	13.0 x 12.0 x 6.8 max.
AF2A749P13KCA	749.5	fo ± 6.5	1.6	0.5	1.8	12.0 (fo±34.5MHz)	
AF2A836P15KCC	836.5	fo ± 7.5	1.8	0.8	2.0	19.0 (fo±49.5MHz)	
AF3A800P01KCB	800.0	fo ± 0.5	3.8	0.3	1.8	46.0 (fo±45.0MHz)	20.0 x 11.0 x 6.8 max.
AF3A915P26KCA	915.0	fo ± 13.0	1.8	0.6	1.6	14.0 (fo±32.5MHz)	
AF4A836P25KCA	836.5	fo ± 12.5	2.5	0.7	1.8	26.0 (fo±33.0MHz)	27.5 x 12.0 x 6.8 max.
AF4A1030P15KCA	1030.0	fo ± 7.5	2.5	0.7	1.8	44.0 (fo±60.0MHz) 62.0 (fo±120.0MHz)	
AF4A1842P75KCC	1842.5	fo ± 37.5	2.3	0.9	2.2	10.0 (fo±57.5MHz) 23.0 (fo±80.0MHz)	
AF5A844P36KCA	844.0	fo ± 18.0	3.0	1.2	2.0	49.0 (fo±70.0MHz) 72.0 (fo±300.0MHz)	24.0 x 12.0 x 6.8 max.
AF5A1030P15KCA	1030.0	fo ± 7.5	2.6	0.6	1.7	70.0 (fo±60.0MHz)	

- For other frequencies or specifications, please consult with our sales representatives for details.



Dielectric Filter (MC/MF/MP Mono Type)

• Dimension and Typical Characteristics



• Electrical Characteristics

Part Number	Center Frequency fo (MHz)	Bandwidth (MHz)	Insertion Loss (dB max.)	Ripple (dB max.)	VSWR max.	Stop Band Attenuation (dB min.)	Dimension W x L x H (mm max.)	Application
MP3A1656S20FCA	1656.0	20.0	2.0	1.0	1.5	40.0 (fo ± 130MHz)	12.5 x 10.0 x 5.0	TD-SCDMA
MP3A1650S30FCA	1650.0	30.0	2.5	0.5	1.5	30.0 (fo ± 80MHz)	12.5 x 10.0 x 5.0	
MF3A1790F40GCA	1790.0	40.0	2.2	1.0	2.0	40.0 (fo - 125MHz) 40.0 (fo - 260MHz)	11.6 x 7.3 x 4.6	
MF3A2017S15GCA	2017.5	15.0	3.0	0.5	1.5	35.0 (fo ± 177.5MHz)	11.6 x 6.0 x 4.1	
MF3A2017S77BCA	2017.5	77.0	2.5	1.0	2.0	30.0 (1~1720MHz) 27.0 (1720~1880MHz) 20.0 (2170~2200MHz)	5.0 x 3.8 x 2.0	
MP8C2017F15QCA	2017.5	15.0	2.0	1.0	1.5	45.0 (1960~1980MHz) 15.0 (1980~1990MHz) 15.0 (2045~2100MHz) 35.0 (2100~2690MHz)	52.0 x 17.0 x 15.0	W-CDMA
MF41A1900540DCA	1900.0	20.0	3.0	1.0	1.8	30.0 (fo ± 250MHz)	11.4 x 5.9 x 3.2	
MF3A1950S60FCA	1950.0	fo ± 30.0	2.5	1.0	1.5	40.0 (fo + 160MHz)	11.5 x 6.0 x 3.9	
MF3A2140S60FCA	2140.0	fo ± 30.0	2.5	1.0	1.5	40.0 (fo - 160MHz)	11.5 x 6.0 x 3.9	
MP8C2140F160HCA	2140.0	160.0	3.0	1.0	1.5	60.0 (1350~1410MHz) 60.0 (1730~1790MHz) 45.0 (1920~2010MHz) 35.0 (2270~2500MHz) 15.0 (4588~4708MHz)	33.4 x 11.5 x 6.2	China CDMA
MF3A830S10FCA	830.0	fo ± 5.0	3.5	1.0	2.0	28.0 (fo ± 40MHz)	12.0 x 9.0 x 4.0	
MP4A830S10DCB	830.0	fo ± 5.0	3.5	1.0	1.5	40.0 (fo ± 40MHz)	13.0 x 12.0 x 5.0	
MF3A875S10FCA	875.0	fo ± 5.0	3.5	1.0	2.0	28.0 (fo ± 40MHz)	12.0 x 9.0 x 4.0	
MP4A875S10DCB	875.0	fo ± 5.0	3.5	1.0	1.5	40.0 (fo ± 40MHz)	13.0 x 12.0 x 5.0	GSM
MF6A900F40PCA	897.5	35.0	2.5	1.0	1.5	12.0 (fo - 27.5MHz) 30.0 (fo + 27.5MHz)	40.8 x 9.2 x 11.4	
MF5B902F25KCA	902.5	fo ± 12.5	2.0	1.0	1.5	40.0 (fo + 32.5MHz)	30.0 x 8.3 x 6.5	
MF4B947F25KCA	947.5	fo ± 12.5	2.0	1.0	1.5	40.0 (fo - 32.5MHz)	25.0 x 8.3 x 6.5	DCS
MF3A1747S75BCA	1747.5	fo ± 37.5	3.0	1.0	1.8	25.0 (fo + 132.5MHz)	5.7 x 4.4 x 2.0	
MF5B1747F75FCA	1747.5	fo ± 37.5	3.0	1.0	1.8	20.0 (fo + 57.5MHz)	13.5 x 6.5 x 4.0	
MF3A1842S75BCA	1842.5	fo ± 37.5	3.0	1.0	1.8	30.0 (fo - 132.5MHz)	5.7 x 4.4 x 2.0	
MF5B1842F75FCA	1842.5	fo ± 37.5	3.0	1.0	1.8	25.0 (fo - 57.5MHz)	13.5 x 6.5 x 4.0	

- For other frequencies or specifications, please consult with our sales representatives for details.



● Electrical Characteristics (continued from the preceding page)

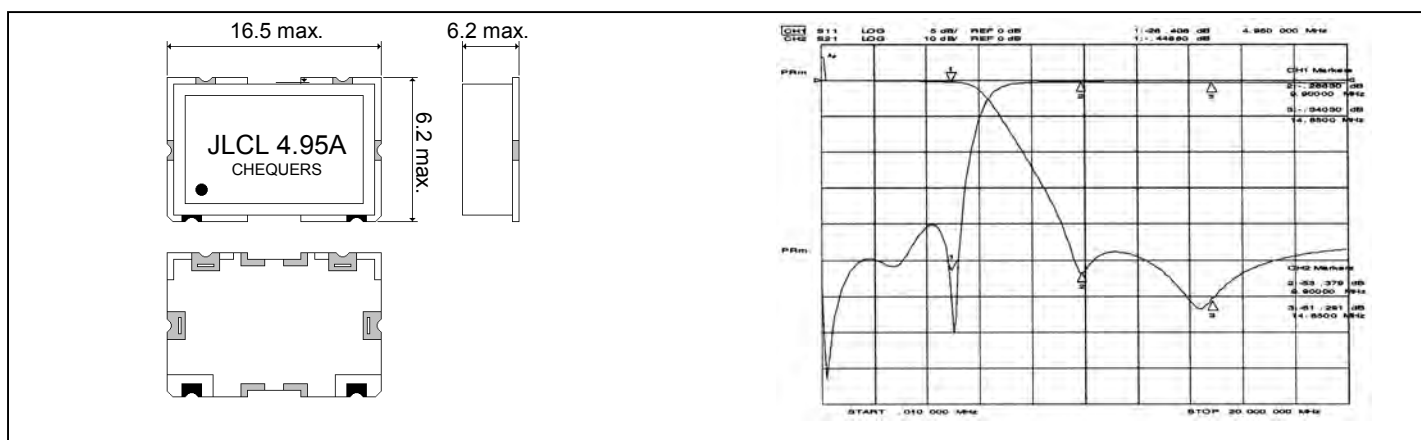
Part Number	Center Frequency fo (MHz)	Bandwidth (MHz)	Insertion Loss (dB max.)	Ripple (dB max.)	VSWR max.	Stop Band Attenuation (dB min.)	Dimension W x L x H (mm max.)	Application
MF2A1575F04BCA	1575.42	4.0	3.65	0.5	1.5	32.5 (fo + 100MHz) 24.0 (fo - 100MHz)	3.9 x 5.1 x 1.9	GPS
MF2A1575S04BCB	1575.42	4.0	3.8	1.0	1.5	17.0 (fo + 50MHz) 24.0 (fo - 50MHz)	4.4 x 4.8 x 1.8	
MF2A1575S04DCA	1575.42	4.0	3.5	1.0	1.5	18.0 (fo + 50MHz) 25.0 (fo - 50MHz) 45.0 (fo - 100MHz)	5.6 x 5.2 x 2.7	
MF3A1575F04DCA	1575.42	4.0	3.0	1.0	1.7	28.5 (fo ± 50MHz)	7.0 x 7.5 x 3.0	
MP4A1575S10FCA	1575.0	10.0	3.0	1.0	1.5	30.0 (fo ± 45MHz)	13.0 x 12.0 x 5.0	
MP6A1575F20HCA	1575.0	20.0	3.0	1.0	1.5	20.0 (fo ± 30MHz) 50.0 (fo ± 50MHz)	22.9 x 10.9 x 5.7	
MP8A1615F30NCA	1615.0	30.0	3.0	1.0	1.5	60.0 (fo ± 45MHz)	33.4 x 11.5 x 9.0	
MF3A1616FS10FCA	1616.0	10.0	2.6	0.5	1.5	45.0 (fo ± 250MHz)	11.8 x 10.5 x 3.9	
MF3A2492S10FCA	2492.0	10.0	0.7	0.5	1.5	60.0 (fo - 876MHz)	12.5 x 10.0 x 5.0	
MC4A3420S40FCA	3420.0	fo ± 20.0	2.5	0.5	1.5	35.0 (fo ± 100MHz)	15.0 x 5.7 x 4.5	
MC4A3520S40FCA	3520.0	fo ± 20.0	2.5	0.5	1.5	35.0 (fo ± 100MHz)	15.0 x 5.7 x 4.5	
MF3A3462S27DCA	3462.5	fo ± 13.5	3.0	1.0	1.5	15.0 (fo ± 86MHz)	8.3 x 7.5 x 3.0	
MF3A3562S27DCA	3562.5	fo ± 13.5	3.0	1.0	1.5	15.0 (fo ± 86MHz)	8.3 x 7.2 x 3.0	
MF3A3450S100DCA	3450.0	fo ± 50.0	2.3	1.0	1.5	12.0 (fo + 150MHz)	8.3 x 4.5 x 3.0	
MF3A3550S100DCA	3550.0	fo ± 50.0	2.3	1.0	1.5	12.0 (fo - 150MHz)	8.3 x 4.5 x 3.0	
MF3B3550F100DCA	3550.0	100.0	2.0	1.0	1.5	20.0 (3340~3440MHz) 25.0 (3185~3290MHz) 6.0 (7000~7200MHz)	6.7 x 4.4 x 3.0	WiMAX
MF3A2550F140DCA	2550.0	140.0	2.0	1.0	1.5	30.0 (DC~2280MHz) 20.0 (2280~2439MHz) 8.0 (2760~3600MHz)	6.7 x 5.0 x 3.0	
MP8C1237F82NCA	1237.0	82.0	2.5	0.5	1.5	3.0 (fo ± 57MHz) 40.0 (fo ± 140MHz)	33.4 x 11.5 x 9.0	Other
MP8C1567F20NCA	1567.0	20.0	2.5	0.5	1.5	3.0 (fo ± 17.5MHz) 40.0 (fo ± 60MHz)	33.4 x 11.5 x 9.0	

- For other frequencies or specifications, please consult with our sales representatives for details.



LC Dielectric Filter (SMD Type)

• Dimension and Typical Characteristics



• Electrical Characteristics

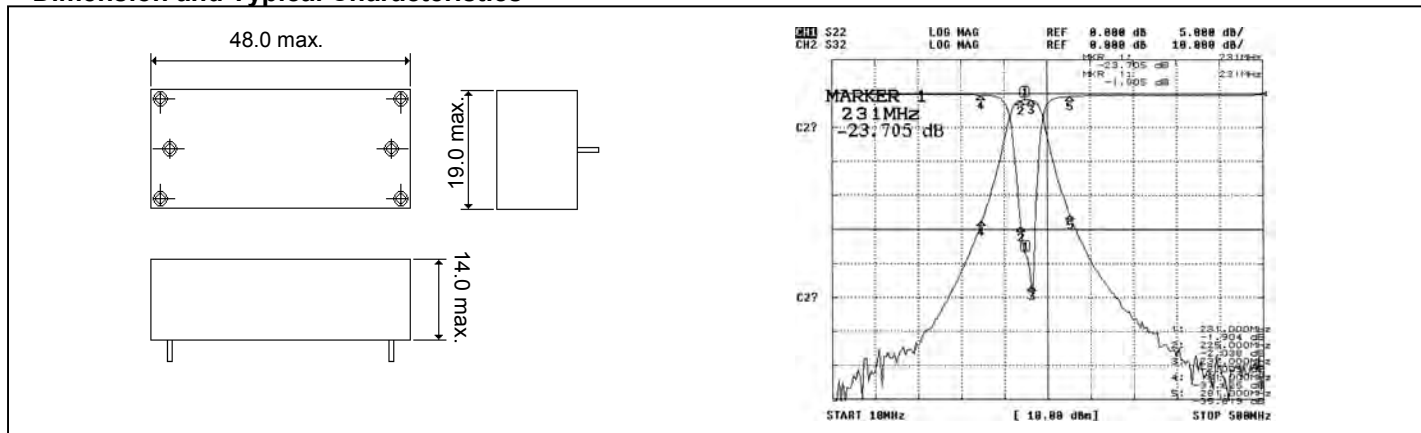
Part Number	Cutoff Frequency fo (MHz)	Bandwidth (MHz)	Insertion Loss (dB max.)	VSWR max.	Zo (Ω)	Attenuation (dB min.)	Application
JLCB115AT	114.99	fo ± 0.62	7.0	1.5	1.5	23.0 (fo - 4.95MHz)	CDMA
JLCB115BT	114.99	fo ± 2.5	4.5	1.5	1.5	35.0 (fo ± 20.0MHz)	
JLCL65AT	65	-	2.5	1.5	2.0	28.0 (fo + 10.0MHz)	
JLCL4.95AT	4.95	-	1.2	1.5	1.5	45.0 (fo + 4.95MHz)	
JLCB70AT	70	fo ± 2.5	4.0	1.5	2.0	35.0 (fo ± 22.5MHz)	PCS
JLCB70BT	70	fo ± 2.0	6.5	1.5	1.5	40.0 (fo ± 10.0MHz)	
JLCL05BT	5	-	1.0	1.5	1.8	40.0 (fo + 2.0MHz)	
JLCL10AT	10	-	1.5	1.5	1.5	40.0 (fo + 8.0MHz)	
JLCH200AT	200	-	1.5	1.5	1.5	50.0 (fo - 20.0MHz)	WLL
JLCB38.4AT	38.4	fo ± 10.0	2.0	1.5	1.5	50.0 (fo ± 55.0MHz)	
JLCB70CT	70	fo ± 10.0	2.0	1.5	2.0	50.0 (fo ± 55.0MHz)	
JLCB160AT	160	fo ± 2.5	7.0	1.5	1.5	40.0 (fo ± 10.0MHz)	IMT-2000
JLCB190AT	190	fo ± 10.0	7.0	1.5	2.0	40.0 (fo ± 10.0MHz)	
JLCL04CT	4	-	1.0	1.5	1.5	50.0 (fo + 8.0MHz)	
JLCL1.89AT	1.89	-	1.0	1.5	1.5	38.0 (at 5.0MHz)	

- For other frequencies or specifications, please consult with our sales representatives for details.



LC Dielectric Filter (PF Type)

• Dimension and Typical Characteristics



• Electrical Characteristics

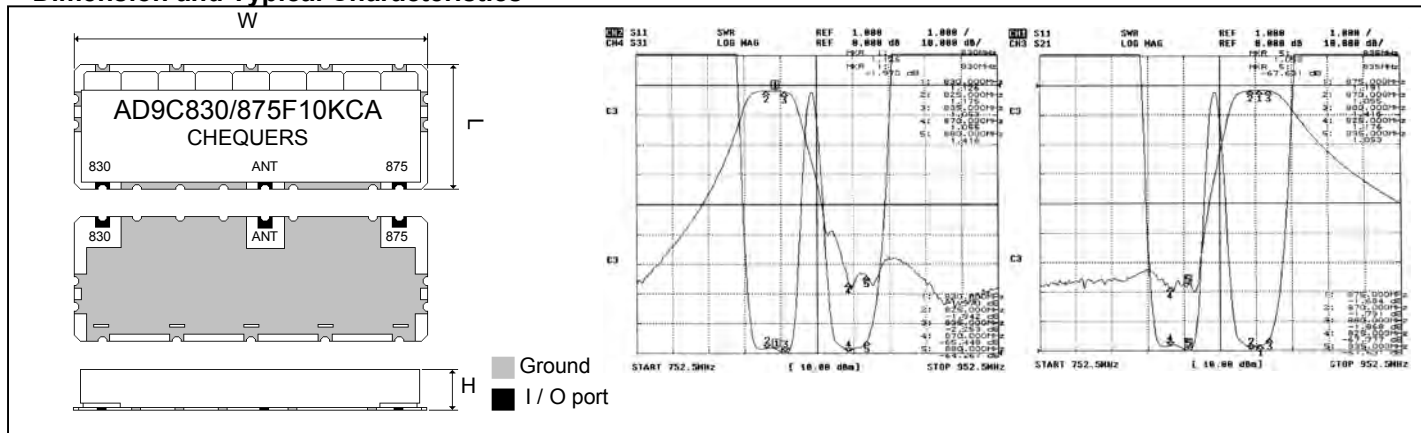
Part Number	Cutoff Frequency fo (MHz)	Bandwidth (MHz)	Insertion Loss (dB max.)	VSWR max.	Zo (Ω)	Stop Band Attenuation (dB min.)
JLCB40AP	40	40	2	1.5	1.5	50.0 (fo ± 20.0MHz)
JLCB140AP	140	140	20	1.5	1.5	60.0 (fo ± 50.0MHz)
JLCB231AP	231	231	12	1.5	1.8	30.0 (fo ± 50.0MHz)
JLCB480AP	480	480	15	1.5	1.8	50.0 (fo ± 60.0MHz)
JLCB1200AP	1200	1200	100	1.5	1.8	60.0 (fo ± 150.0MHz)
JLCB2300AP	2300	2300	300	1.5	1.8	60.0 (fo ± 400.0MHz)

- For other frequencies or specifications, please consult with our sales representatives for details.



Dielectric Duplexer (AD Array Type)

• Dimension and Typical Characteristics



• Electrical Characteristics

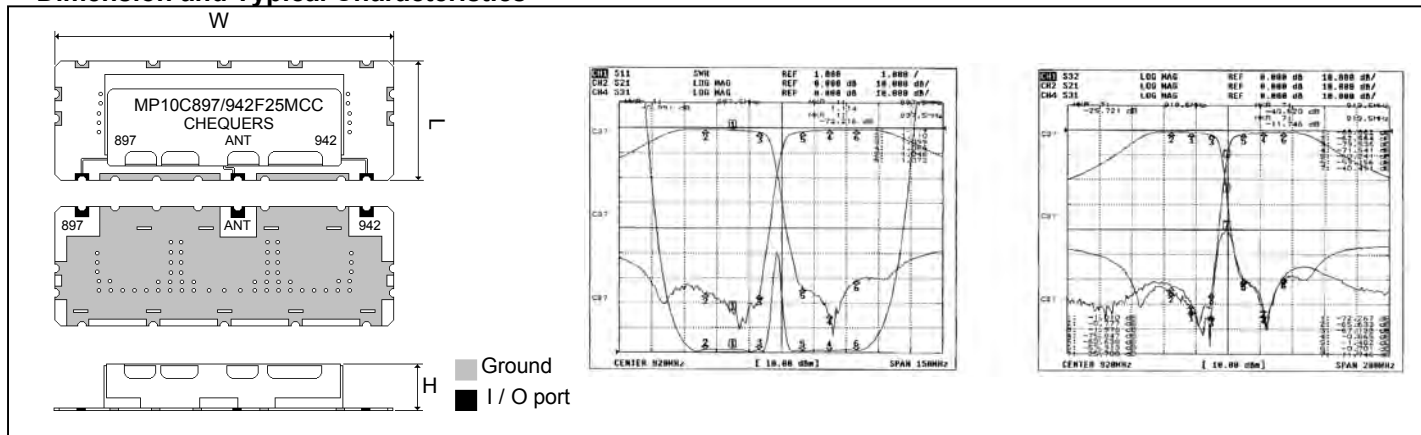
Part Number	Center Frequency fo (MHz)		Bandwidth (MHz)	Insertion Loss (dB max.)	VSWR max.	Stop Band Attenuation (dB min.)	Dimension W x L x H (mm max.)	Application
	Tx	Rx						
AD7C830/875F10HCA	Tx	830.0	fo ± 5.0	2.5	1.5	50.0 (fr ± 5MHz)	47.0 x 19.0 x 7.0	China CDMA
	Rx	875.0	fo ± 5.0	2.5	1.5	55.0 (ft ± 5MHz)		
AD8C830/875F10QCA	Tx	830.0	fo ± 5.0	2.0	1.5	48.0 (fr ± 5MHz)	100.0 x 34.0 x 14.0	
	Rx	875.0	fo ± 5.0	2.0	1.5	50.0 (ft ± 5MHz)		
AD9C830/875F10KCA	Tx	830.0	fo ± 5.0	2.8	1.5	60.0 (fr ± 5MHz)	57.0 x 19.0 x 7.5	
	Rx	875.0	fo ± 5.0	2.5	1.5	60.0 (ft ± 5MHz)		
AD7A836/881F25DCA	Tx	836.5	fo ± 12.5	2.6	1.7	40.0 (fr ± 12.5MHz)	23.0 x 15.0 x 4.5	Korea CDMA
	Rx	881.5	fo ± 12.5	3.7	1.8	50.0 (ft ± 12.5MHz)		
AD6A1950/2140F60DCA	Tx	1950.0	fo ± 30.0	2.8	1.8	40.0 (fr ± 30MHz)	21.0 x 15.0 x 4.5	IMT-2000
	Rx	2140.0	fo ± 30.0	2.5	1.8	48.0 (ft ± 30MHz)		
AD9C1950/2140F60HCA	Tx	1950.0	fo ± 30.0	2.6	1.8	48.0 (fr ± 30MHz)	47.0 x 18.0 x 7.0	
	Rx	2140.0	fo ± 30.0	2.0	1.8	52.0 (ft ± 30MHz)		
AD6A902/947/F25DCA	Tx	902.5	fo ± 12.5	2.4	1.7	32.0 (fr ± 12.5MHz)	21.0 x 15.0 x 4.5	GSM
	Rx	947.5	fo ± 12.5	3.2	1.8	30.0 (ft ± 12.5MHz)		
AD9C902/947F25HCA	Tx	902.5	fo ± 12.5	4.3	1.8	42.0 (fr ± 12.5MHz)	47.0 x 19.0 x 7.0	
	Rx	947.5	fo ± 12.5	3.8	1.8	40.0 (ft ± 12.5MHz)		
AD9C902/947F25HCA	Tx	902.5	fo ± 12.5	3.1	1.5	44.0 (fr ± 12.5MHz)	57.0 x 19.0 x 7.5	
	Rx	947.5	fo ± 12.5	3.1	1.5	45.0 (ft ± 12.5MHz)		
AD8A3430/3530F60FCA	Tx	3430.0	fo ± 30.0	6.5	2.0	18.0 (fr ± 30MHz)	36.0 x 44.0 x 5.5	MMDS
	Rx	3530.5	fo ± 30.0	6.5	2.0	18.0 (ft ± 30MHz)		
AD8C1805/2065FCA-M	Tx	1805.0	fo ± 55.0	19~21	1.5	51.0 (fr + 155)	38.0 x 24.0 x 5.3	K-PCS W-CDMA
	Rx	2065.0	fo ± 105.0	19~21	1.5	51.0 (ft + 155)		
AD7A1880/1960F60DCA	Tx	1880.0	fo ± 30.0	2.6	1.8	25.0 (fr ± 30MHz)	23.0 x 13.0 x 4.5	US-PCS
	Rx	1960.0	fo ± 30.0	3.5	1.8	22.0 (ft ± 30MHz)		
AD9C1747/1842F75KCA	Tx	1747.5	fo ± 37.5	3.8	1.5	25.0 (fr ± 37.5MHz)	47.0 x 18.0 x 7.0	DCS
	Rx	1842.5	fo ± 37.5	3.8	1.5	18.0 (ft ± 37.5MHz)		
AD10C1747/1842F75KCA	Tx	1747.5	fo ± 37.5	2.5	1.5	30.0 (fr ± 37.5MHz)	47.0 x 18.0 x 7.0	
	Rx	1842.5	fo ± 37.5	2.5	1.5	25.0 (ft ± 37.5MHz)		
AD4A1227/1575S20KCA	Tx	1227.0	fo ± 10.0	1.0	1.7	40.0 (fr ± 10MHz)	26.0 x 15.0 x 7.5	GPS
	Rx	1575.0	fo ± 10.0	1.0	1.7	40.0 (ft ± 10MHz)		
AD7B1595/2492F50/40FCA	Tx	1595.0	fo ± 25.0	2.0	1.5	45.0 (fr + 747MHz)	30.0 x 13.8 x 5.5	
	Rx	2492.0	fo ± 20.0	2.0	1.5	45.0 (ft - 747MHz)		

- For other frequencies or specifications, please consult with our sales representatives for details.



Dielectric Duplexer (Array and Mono Type)

• Dimension and Typical Characteristics



• Electrical Characteristics

Part Number		Center Frequency fo (MHz)	Bandwidth (MHz)	Insertion Loss (dB max.)	VSWR max.	Stop Band Attenuation (dB min.)	Dimension W x L x H (mm max.)	Application
AD7C830/875F10HCA	Tx	830.0	fo ± 5.0	2.5	1.5	50.0 (fr ± 5.0MHz)	47.0 x 19.0 x 7.0	China CDMA
	Rx	875.0	fo ± 5.0	2.5	1.5	55.0 (ft ± 5.0MHz)		
AD8C830/875F10QCA	Tx	830.0	fo ± 5.0	2.0	1.5	48.0 (fr ± 5.0MHz)	100.0 x 34.0 x 14.0	
	Rx	875.0	fo ± 5.0	2.0	1.5	50.0 (ft ± 5.0MHz)		
AD9C830/875F10KCA	Tx	830.0	fo ± 5.0	2.8	1.5	60.0 (fr ± 5.0MHz)	57.0 x 19.0 x 7.5	
	Rx	875.0	fo ± 5.0	2.5	1.5	60.0 (ft ± 5.0MHz)		
MD8C830/875F10FCA	Tx	830.0	fo ± 5.0	2.5	1.7	45.0 (fr ± 5.0MHz)	24.0 x 10.0 x 4.1	
	Rx	875.0	fo ± 5.0	3.2	1.7	50.0 (ft ± 5.0MHz)		
MP10C830/875F10FCA	Tx	830.0	fo ± 5.0	2.4	1.5	45.0 (fr ± 5.0MHz)	30.0 x 12.0 x 5.3	
	Rx	875.0	fo ± 5.0	3.3	1.5	60.0 (ft ± 5.0MHz)		
MP10C820/872F15NCA	Tx	827.5	fo ± 7.5	2.2	1.5	10.5 (fr ± 7.5MHz)	42.0 x 17.5 x 9.5	
	Rx	872.5	fo ± 7.5	2.2	1.5	10.5 (ft ± 7.5MHz)		
MP10C1947/2137F15NCA	Tx	1947.5	fo ± 7.5	2.2	1.5	45.0 (fr ± 7.5MHz)	42.0 x 13.0 x 9.5	
	Rx	2137.5	fo ± 7.5	1.5	1.3	45.0 (ft ± 7.5MHz)		
MP10C830/875F10NCA	Tx	830.0	fo ± 5.0	1.8	1.5	60.0 (fr ± 5.0MHz)	42.0 x 18.0 x 9.5	W-CDMA
	Rx	875.0	fo ± 5.0	1.8	1.5	60.0 (ft ± 5.0MHz)		
AD7A836/881F25DCA	Tx	836.5	fo ± 12.5	2.6	1.7	40.0 (fr ± 12.5MHz)	23.0 x 15.0 x 4.5	Korea CDMA
	Rx	881.5	fo ± 12.5	3.7	1.8	50.0 (ft ± 12.5MHz)		
AD6A1950/2140F60DCA	Tx	1950.0	fo ± 30.0	2.8	1.8	40.0 (fr ± 30.0MHz)	21.0 x 15.0 x 4.5	
	Rx	2140.0	fo ± 30.0	2.5	1.8	48.0 (ft ± 30.0MHz)		
AD9C1950/2140F60HCA	Tx	1950.0	fo ± 30.0	2.6	1.8	48.0 (fr ± 30.0MHz)	47.0 x 18.0 x 7.0	IMT-2000
	Rx	2140.0	fo ± 30.0	2.0	1.8	52.0 (ft ± 30.0MHz)		
MP10C1950/2140F60NCA	Tx	1950.0	fo ± 30.0	1.8	1.5	60.0 (fr ± 30.0MHz)	43.5 x 13.0 x 9.5	
	Rx	2140.0	fo ± 30.0	1.8	1.5	60.0 (ft ± 30.0MHz)		
AD6A902/947/F25DCA	Tx	902.5	fo ± 12.5	2.4	1.7	32.0 (fr ± 12.5MHz)	21.0 x 15.0 x 4.5	GSM
	Rx	947.5	fo ± 12.5	3.2	1.8	30.0 (ft ± 12.5MHz)		
AD9C902/947F25HCA	Tx	902.5	fo ± 12.5	4.3	1.8	42.0 (fr ± 12.5MHz)	47.0 x 19.0 x 7.0	
	Rx	947.5	fo ± 12.5	3.8	1.8	40.0 (ft ± 12.5MHz)		
AD9C902/947F25HCA	Tx	902.5	fo ± 12.5	3.1	1.5	44.0 (fr ± 12.5MHz)	57.0 x 19.0 x 7.5	
	Rx	947.5	fo ± 12.5	3.1	1.5	45.0 (ft ± 12.5MHz)		
MD10C902/974F25NCA	Tx	902.5	fo ± 12.5	2.5	1.5	55.0 (fr ± 12.5MHz)	42.0 x 18.0 x 9.5	
	Rx	947.5	fo ± 12.5	2.5	1.5	55.0 (ft ± 12.5MHz)		
MP10C897/942F25MCC	Tx	897.5	fo ± 12.5	2.3	1.5	55.0 (fr ± 12.5MHz)	57.0 x 19.0 x 8.5	
	Rx	842.5	fo ± 12.5	2.0	1.5	55.0 (ft ± 12.5MHz)		
AD8A3430/3530F60FCA	Tx	3430.0	fo ± 30.0	6.5	2.0	18.0 (fr ± 30.0MHz)	36.0 x 44.0 x 5.5	MMDS
	Rx	3530.5	fo ± 30.0	6.5	2.0	18.0 (ft ± 30.0MHz)		

- For other frequencies or specifications, please consult with our sales representatives for details.



● **Electrical Characteristics** (continued from the preceding page)

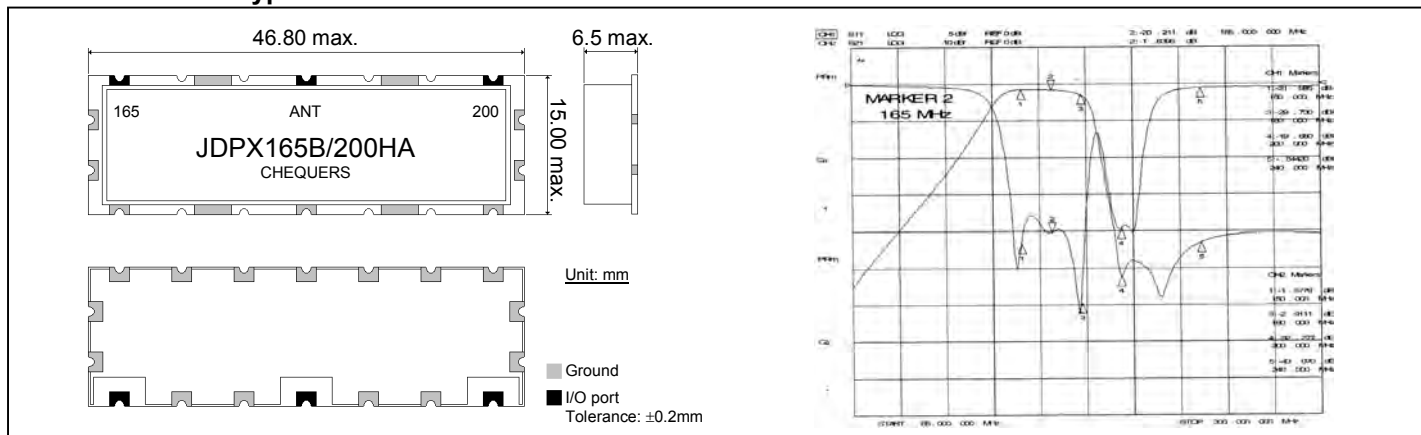
Part Number	Center Frequency fo (MHz)		Bandwidth (MHz)	Insertion Loss (dB max.)	VSWR max.	Stop Band Attenuation (dB min.)	Dimension W x L x H (mm max.)	Application
	Tx	Rx						
AD8C1805/2065FCA-M	Tx	1805.0	fo ± 55.0	19~21	1.5	51.0 (fr + 155.0MHz)	38.0 x 24.0 x 5.3	K-PCS W-CDMA
	Rx	2065.0	fo ± 105.0	19~21	1.5	51.0 (ft + 155.0MHz)		
AD7A1880/1960F60DCA	Tx	1880.0	fo ± 30.0	2.6	1.8	25.0 (fr ± 30.0MHz)	23.0 x 13.0 x 4.5	US-PCS
	Rx	1960.0	fo ± 30.0	3.5	1.8	22.0 (ft ± 30.0MHz)		
AD9C1747/1842F75KCA	Tx	1747.5	fo ± 37.5	3.8	1.5	25.0 (fr ± 37.5MHz)	47.0 x 18.0 x 7.0	DCS
	Rx	1842.5	fo ± 37.5	3.8	1.5	18.0 (ft ± 37.5MHz)		
AD10C1747/1842F75KCA	Tx	1747.5	fo ± 37.5	2.5	1.5	30.0 (fr ± 37.5MHz)	47.0 x 18.0 x 7.0	
	Rx	1842.5	fo ± 37.5	2.5	1.5	25.0 (ft ± 37.5MHz)		
MP10C1747/1842F75FCA	Tx	1747.5	fo ± 37.5	3.2	1.5	30.0 (fr ± 37.5MHz)	29.0 x 7.0 x 5.0	
	Rx	1842.5	fo ± 37.5	3.5	1.5	30.0 (ft ± 37.5MHz)		
MP10C1732/1827F45NCF	Tx	1732.0	fo ± 22.5	2.3	1.5	50.0 (fr ± 22.5MHz)	42.0 x 17.5 x 9.5	
	Rx	1827.0	fo ± 22.5	2.3	1.5	50.0 (ft ± 22.5MHz)		
AD4A1227/1575S20KCA	Tx	1227.0	fo ± 10.0	1.0	1.7	40.0 (fr ± 10.0MHz)	26.0 x 15.0 x 7.5	GPS
	Rx	1575.0	fo ± 10.0	1.0	1.7	40.0 (ft ± 10.0MHz)		
AD7B1595/2492F50/40FCA	Tx	1595.0	fo ± 25.0	2.0	1.5	45.0 (fr + 747.0MHz)	30.0 x 13.8 x 5.5	
	Rx	2492.0	fo ± 20.0	2.0	1.5	45.0 (ft - 747.0MHz)		
MP10C3483/3583F33FCA	Tx	3483.5	fo ± 16.5	2.5	1.5	50.0 (fr ± 16.5MHz)	30.0 x 8.8 x 5.0	Wireless LAN
	Rx	3583.5	fo ± 16.5	2.5	1.5	50.0 (ft ± 16.5MHz)		

- For other frequencies or specifications, please consult with our sales representatives for details.



LC Dielectric Duplexer

• Dimension and Typical Characteristics



• Electrical Characteristics

Part Number	Cutoff Frequency fc (MHz)	Bandwidth (MHz)	Insertion Loss (dB max.)	VSWR max.	Zo (Ω)	Attenuation (dB min.)	Application
JDPX165B/200HA	165-OUT f1:165.0 (BPF)	30.0	4.0	1.5	1.5	40.0 (f2)~(f2 + 70.0MHz)	CDMA WLL
	200-OUT f2:200.0 (HPF)	200.0 ~270.0	3.0	1.5	1.5	50.0 (f1 ± 15.0MHz)	
JDPX200B/255HA	200-OUT f1:200.0 (BPF)	2.0	7.0	1.5	1.5	50.0 (f2 ± 15.0MHz)	
	255-OUT f2:255.0 (HPF)	30.0	3.5	1.5	1.5	50.0 (f1 ± 1.0MHz)	
JDPX75B/275BA	75-OUT f1:75.0 (BPF)	30.0	3.0	1.5	1.5	55.0 (f2 ± 17.5MHz)	
	275-OUT f2:275.0 (HPF)	35.0	4.5	1.7	1.7	55.0 (f1 ± 17.5MHz)	
JDPX85L/105HA	85-OUT f1:85.0 (LPF)	55.0~85.0	1.6	1.5	1.5	60.0 (f2)~(f2 + 70.0MHz)	
	105-OUT f2:105.0 (HPF)	105.0~175.0	1.7	1.5	1.5	50.0 (f1)~(f1 - 30.0MHz)	

- For other frequencies or specifications, please consult with our sales representatives for details.



Dielectric Resonator (Coaxial Type)

• Dimension

Size Dimension	S03	S04	S05	S06	S10
W	3.0	4.0	5.0	6.0	10.0
T	0.5	0.5	0.7	1.0	1.0
B	1.0	1.0	1.5	2.0	2.0
C	0.8	0.8	1.0	1.2	1.5
D	1.00	1.35	1.57	2.45	3.05
L, A	Varies with frequency				

Tolerance: $\pm 0.2\text{mm}$
Unit: mm

• Electrical Characteristics

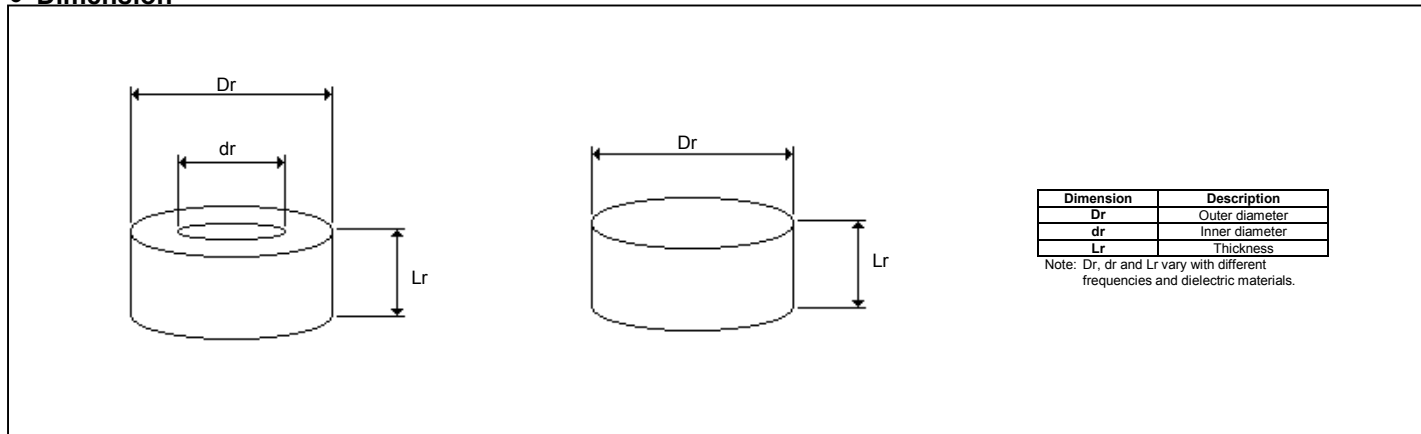
Size	Dielectric Constant	Frequency Range (MHz)	Qu (Min.)	Frequency Stability (ppm)	Wave Length	Frequency Tolerance
S03	90 ± 2	900 ~ 1490	230	0 ± 10	$\lambda / 2$ or $\lambda / 4$	$\pm 0.5\%$ or $\pm 1.0\%$
		1500 ~ 1690	250			
		1700 ~ 1990	270			
		2000 ~ 3000	290			
S04		500 ~ 540	200			
		550 ~ 640	220			
		650 ~ 790	240			
		800 ~ 890	260			
S05		900 ~ 1490	270			
		1500 ~ 1790	290			
		1800 ~ 1890	340			
		1900 ~ 3000	370			
S06		500 ~ 590	270			
		600 ~ 1490	350			
		1500 ~ 2500	400			
		400 ~ 490	330			
S10	500 ~ 790	350				
	800 ~ 1290	400				
	1300 ~ 1690	470				
	1700 ~ 2200	510				
S04	37 ± 2	300 ~ 700	600	0 ± 10	$\lambda / 2$ or $\lambda / 4$	$\pm 0.5\%$ or $\pm 1.0\%$
		1000 ~ 1900	360			
		2000 ~ 3000	400			
		700 ~ 1540	450			
S06	21 ± 2	1550 ~ 1800	550	0 ± 10	$\lambda / 2$ or $\lambda / 4$	$\pm 0.5\%$ or $\pm 1.0\%$
		400 ~ 1200	650			
		1900 ~ 2490	380			
S03	21 ± 2	2500 ~ 3000	400	0 ± 10	$\lambda / 2$ or $\lambda / 4$	$\pm 0.5\%$ or $\pm 1.0\%$
		1300 ~ 1490	350			
S04		1500 ~ 1990	400			
		2000 ~ 3000	450			
S06		1000 ~ 1190	500			
		1200 ~ 1790	600			
		1800 ~ 2490	650			
		2500 ~ 3000	850			

- For other frequencies or specifications, please consult with our sales representatives for details.



Dielectric Resonator (TE_{01δ})

• Dimension



• Electrical Characteristics

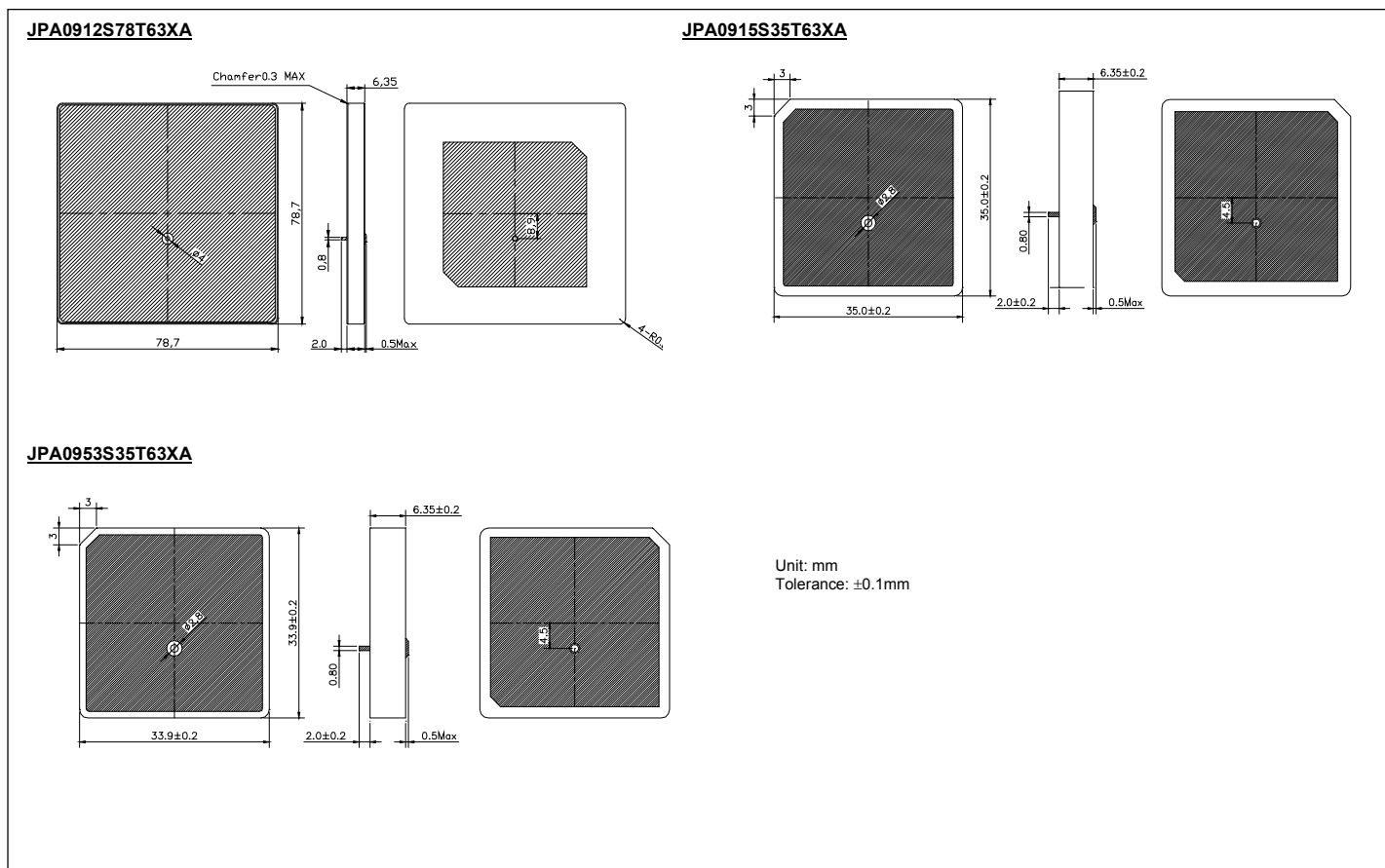
Item	Symbol	Unit	Dielectric Material					
			D20	D30	D37	D45	D80	D90
Frequency Range	F	GHz	4.5 ~ 30.0	4.5 ~ 25.0	0.5 ~ 20.0	0.5 ~ 20.0	0.5 ~ 6.0	0.5 ~ 6.0
Dielectric Constant	ϵ_r	-	20	30	37	45	80	90
Temperature Coefficient of Frequency	τ_f	ppm/°C	-3 ~ +3	-3 ~ +3	-10 ~ +10	-3 ~ +3	-3 ~ +3	-3 ~ +3
Q Value	Q	-	10000 (6GHz)	10000 (10GHz)	10000 (4GHz)	10000 (4GHz)	3000 (3GHz)	2000 (3GHz)
Density	ρ	g/cm ³	6.9	7.7	5.1	4.7	5.6	5.8
Water Absorption	A	%	< 0.01	< 0.01	< 0.01	< 0.01	< 0.01	< 0.01

- The above frequencies are mathematically calculated values and, therefore, actual values may be different.
- For other frequencies or specifications, please consult with our sales representatives for details.



Dielectric Patch Antenna (RFID)

• Dimension



• Electrical Characteristics

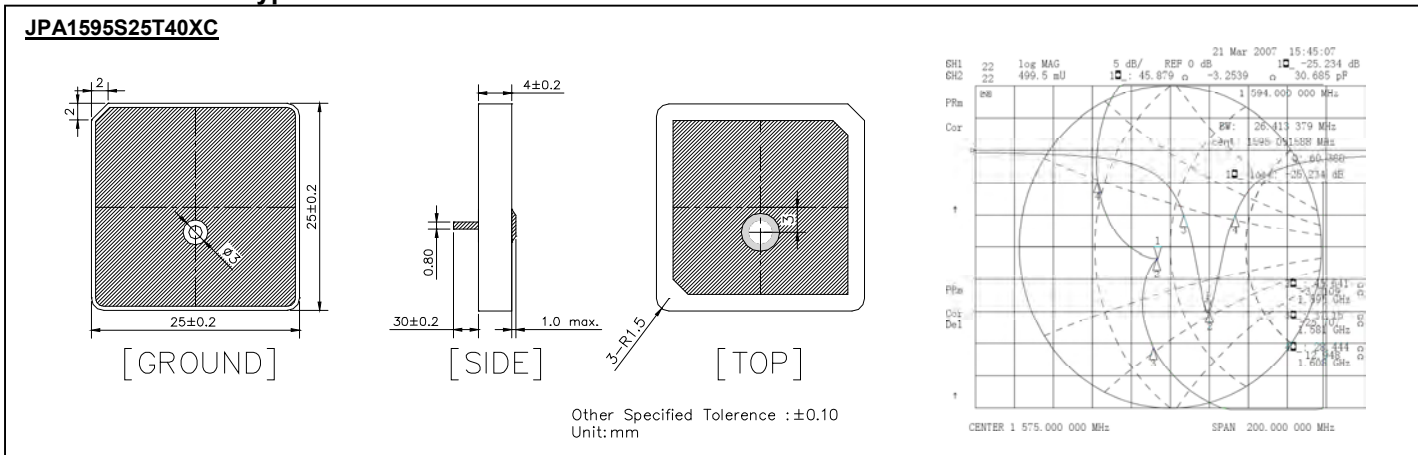
Part Number	Dimension (mm)	Center Frequency (MHz)	Bandwidth (MHz min.)	Return Loss (dB min.)	Gain (dBi typical)	Ground Plane (mm)	Application
JPA0866S35T63XA	33 x 33	866.0±2.0	3.0	12.0	2.0	70 x 70	RFID
JPA0868S35T63XA	35 x 35	868.0±2.0	3.0	12.0	2.0	50 x 50	
JPA0912S78T63XA	78 x 78	912.0±2.0	4.0	15.0	2.5	78 x 78	
JPA0915S35T63XA	35 x 35	915.0±2.0	3.0	12.0	4.0	70 x 70	
JPA0953S35T63XA	33 x 33	953.0±2.0	3.0	12.0	4.0	70 x 70	

- For other frequencies or specifications, please consult with our sales representatives for details.



Dielectric Patch Antenna

● Dimension and Typical Characteristics



● Electrical Characteristics

Part Number	Dimension (mm)	Center Frequency (MHz)	Bandwidth (MHz)	Return Loss (dB)	Gain (dBi)	Ground Plane (mm)	Application
JPA1615S12T40XA	12 x 12	1579	5	15	0.0	50 x 50	GPS
JPA1587S13T25XA	13 x 13	1587	5	15	0.0	50 x 50	
JPA1580S13T40XA	13 x 13	1580	5	15	0.0	50 x 50	
JPA1595S15T20XA	15 x 15	1595	5	15	1.0	50 x 50	
JPA1597S15T40XA	15 x 15	1597	8	15	1.0	50 x 50	
JPA1595S17T40ZA	17 x 17	1595	10	15	2.5	70 x 70	
JPA1588S18T20XB	18 x 18	1588	10	15	2.5	50 x 50	
JPA1601S18T40XA	18 x 18	1601	10	15	2.5	50 x 50	
JPA1575S20T30XA	20 x 20	1575	5	15	2.0	22 x 22	
JPA1590S20T40XA	20 x 20	1590	10	15	3.0	60 x 60	
JPA1580S25T20XA	25 x 25	1580	10	15	2.5	70 x 70	
JPA1579S25T30ZA	25 x 25	1579	5	15	3.0	27 x 30	
JPA1580S25T40XA	25 x 25	1580	20	15	4.5	70 x 70	
JPA1580S25T40ZA	25 x 25	1580	20	15	4.5	70 x 70	
JPA1595S25T40XC	25 x 25	1595	20	15	4.5	70 x 70	
JPA1596S35T30XA	35 x 35	1596	20	15	4.5	50 x 50	
JPA1268S35T80XA	35 x 35	1268	5	15	4.0	35 x 35	
JPA1575S1606T40XA	16 x 6	1575	5	15	1.0	16 x 6	
JPA1575S2006T40XA	20 x 6	1575	5	15	1.0	20 x 6	
JCA2450S8010A	8 x 1	2450	200	15	1.0	35 x 50	Bluetooth
JCA2450S9330A	9.3 x 3.0	2450	50	15	1.0	60 x 70	
JPA1616S25T40XA	25 x 25	1616	20	15	4.5	70 x 70	Compass (China GPS)
JPA2492S25T40XA	25 x 25	2492	40	15	4.5	70 x 70	
JPA2375S18T40XA	18 x 18	2375	30	15	2.5	70 x 70	DMB
JPA3275S25T20XA	25 x 25	2375	40	15	2.5	50 x 50	
JPA2450D16T60EA	∅ 16	2450	50	15	2.15	50 x 76	W-LAN

- For other frequencies or specifications, please consult with our sales representatives for details.