

MESSRS. : _____

AGENT : _____


SPECIFICATION of Optical Lens

MODEL NO. : NCL-10S

 **NIPPON CERAMIC CO., LTD.**

176-17 Hirooka, Tottori-shi, 689-1193 JAPAN
TEL: +81-857-53-4666 FAX: +81-857-53-3532

Approved by	Checked by	Prepared by

MODEL NO. : NCL-10S	DRAWING NO. :	REV : B	PAGE 1 / 6	 NIPPON CERAMIC CO., LTD.
PART NO. :				

1. Scope

This specification describes a optical lens which is used for passive infrared detector.

2. Type of Lens

2.1. Type Name: Spherical shape optical lens

2.2. Model No.: NCL-10S

3. Dimensions

See Figure 1.

4. Material

High Density Polyethylene (HDPE)

5. Color

Natural

6. Optical Characteristics**6.1. Number of Zones**

1 zone

6.2. Detection Area

See Figure 2.


7. Environmental Characteristics**7.1. Operating Temperature**

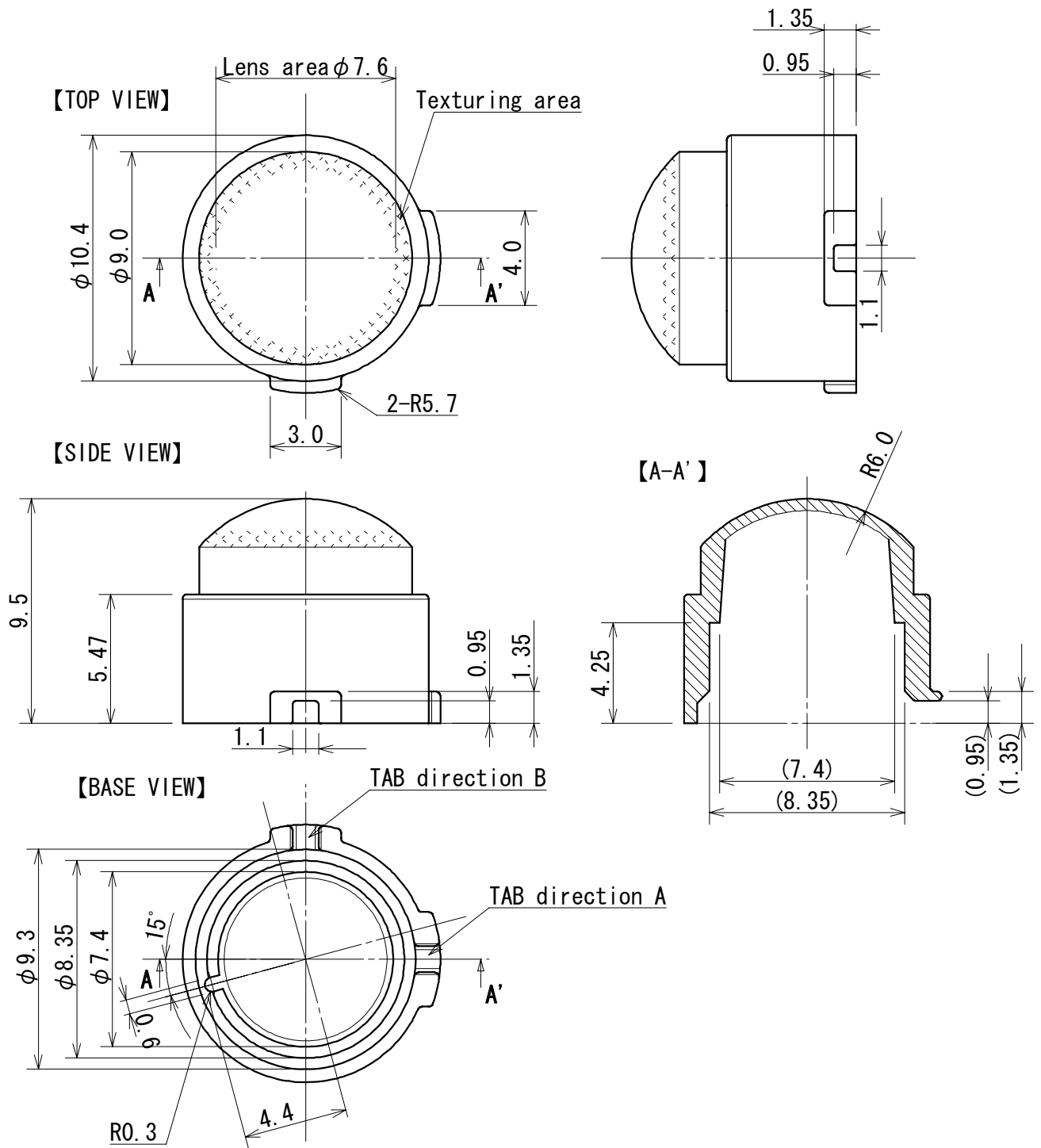
-20 °C ~ +70 °C

7.2. Storage Temperature

-25 °C ~ +75 °C

* Please avoid using the lens in direct sunshine conditions because it may cause degradation of the transmittivity.

MODEL NO. : NCL-10S	DRAWING NO. :	REV : B	PAGE 2 / 6	 NIPPON CERAMIC CO., LTD.
PART NO. :				

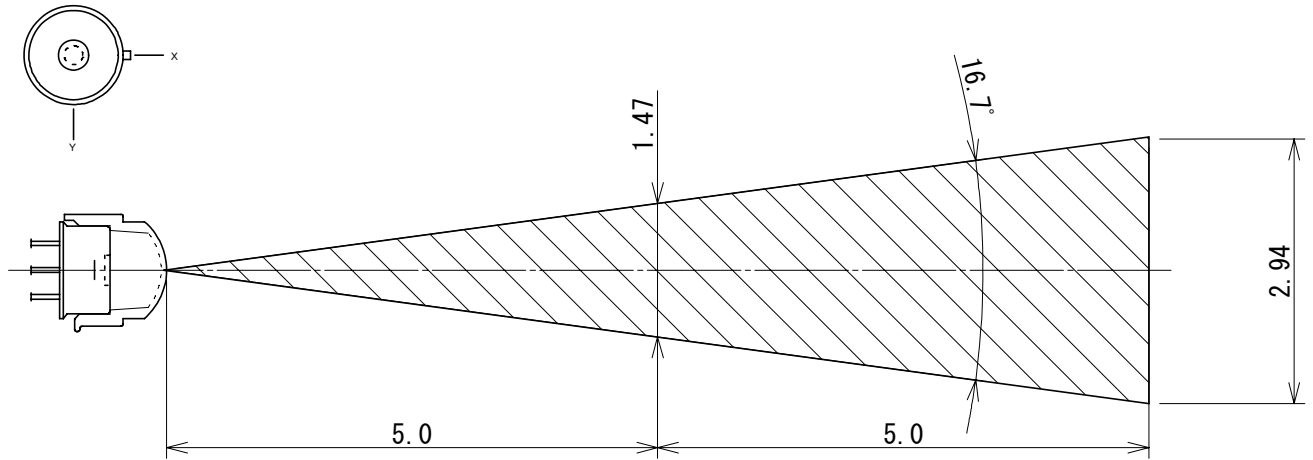


Tolerance without instruction : (+/-) 0.2
Unit [mm]

Figure 1: Dimensions

MODEL NO. : NCL-10S	DRAWING NO. :	REV : B	PAGE 3 / 6	
PART NO. :				

X, Y axis

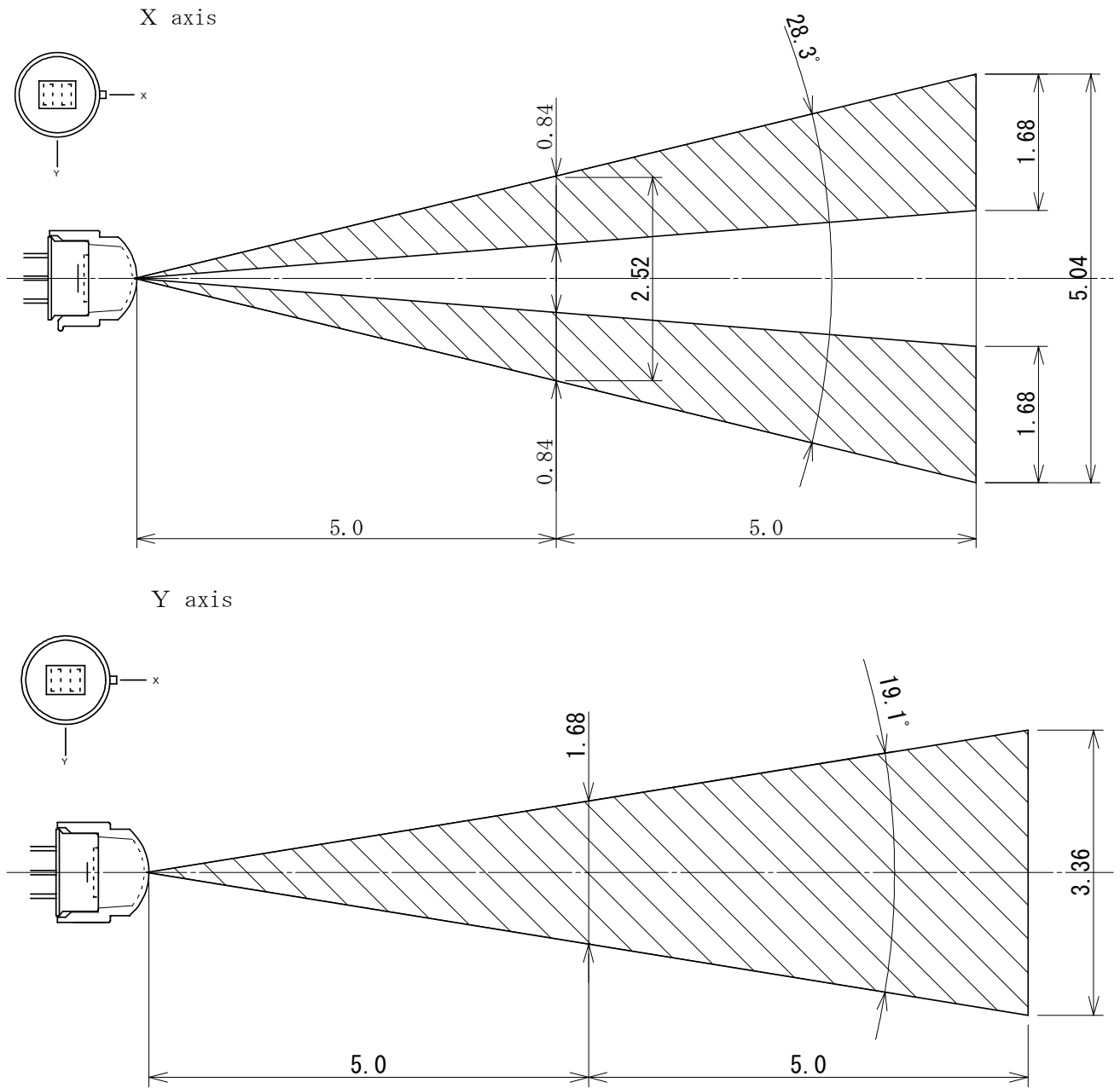


- Sensor: Pyro-electric Infrared Sensor, Single Element Type
- Element Size: $\Phi 1.75\text{mm}$

Unit [m]

Figure 2A: Detection Area (with Single Element PIR)

MODEL NO. : NCL-10S	DRAWING NO. :	REV : B	PAGE 4 / 6	
PART NO. :				

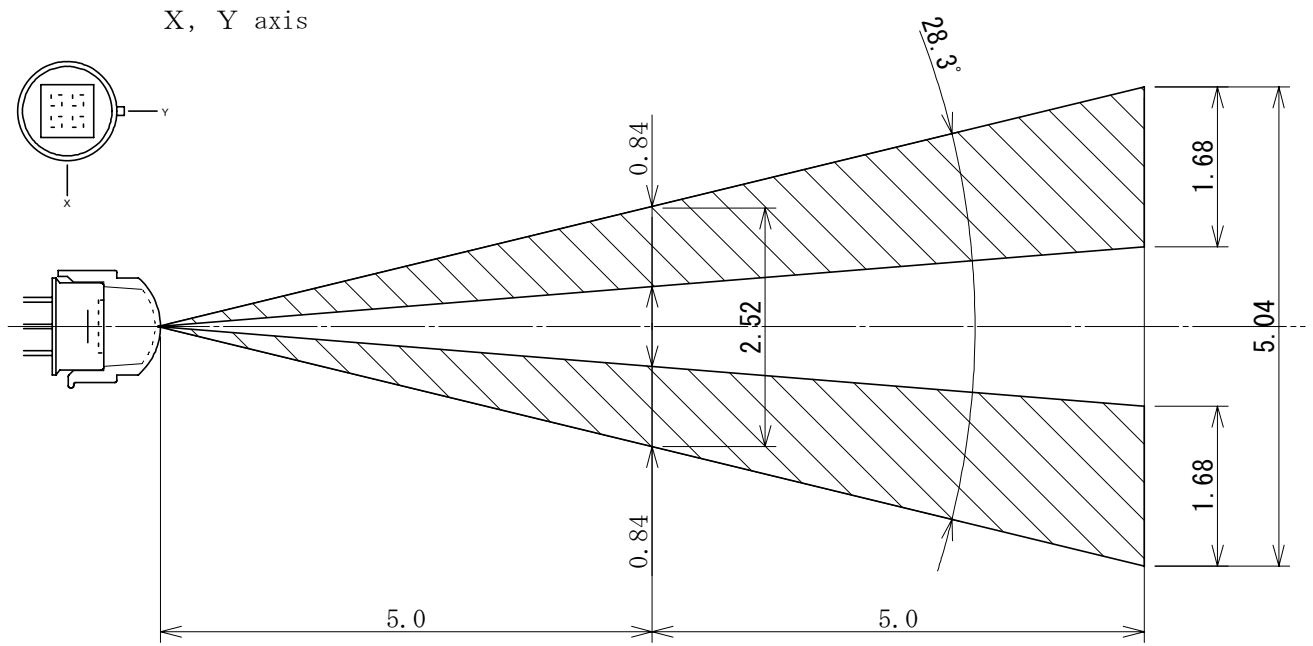


- Sensor: Pyro-electric Infrared Sensor, Dual Element Type
- Element Size: 1.0mm (X) x 2.0mm (Y) x Gap1.0mm

Unit [m]

Figure 2B: Detection Area (with Dual Element PIR)

MODEL NO. : NCL-10S	DRAWING NO. :	REV : B	PAGE 5 / 6	
PART NO. :				



- Sensor: Pyro-electric Infrared Sensor, 4 Element Type
- Element Size: 1.0mm (X) x 1.0mm (Y) x Gap1.0mm

Unit [m]

Figure 2C: Detection Area (with 4 Element PIR)

MODEL NO. : NCL-10S	DRAWING NO. :	REV : B	PAGE 6 / 6	
PART NO. :				