

DATE: _____

MESSRS.: _____

AGENT: _____

SPECIFICATION
OF
OPTICAL LENS

MODEL NO. _____ NCL-101L _____

PART NO. _____

OPTICAL LENS MODEL NO. NCL-101L	PAGE 1 / 15	DRAWING NO. 1006103	REV : B
	NIPPON CERAMIC CO., LTD.		
APPROVED BY	CHECKED BY	DRAWN BY	

SCOPE

THIS SPECIFICATION DESCRIBES A OPTICAL LENS SUPPLIED BY NIPPON CERAMIC CO., LTD.

MODEL NO.

NCL-101L : SPHERICAL SHAPE OPTICAL LENS

PHYSICAL CONFIGURATION

SEE FIGURE 1

MATERIAL

HIGH DENSITY POLYETHYLENE

COLOR

NATURAL

OPTICAL CHARACTERISTICS

- 1) NUMBER OF ZONES : 3 ZONES
- 2) FIELD OF VIEW : SEE FIGURE 2

ENVIRONMENTAL REQUIREMENTS

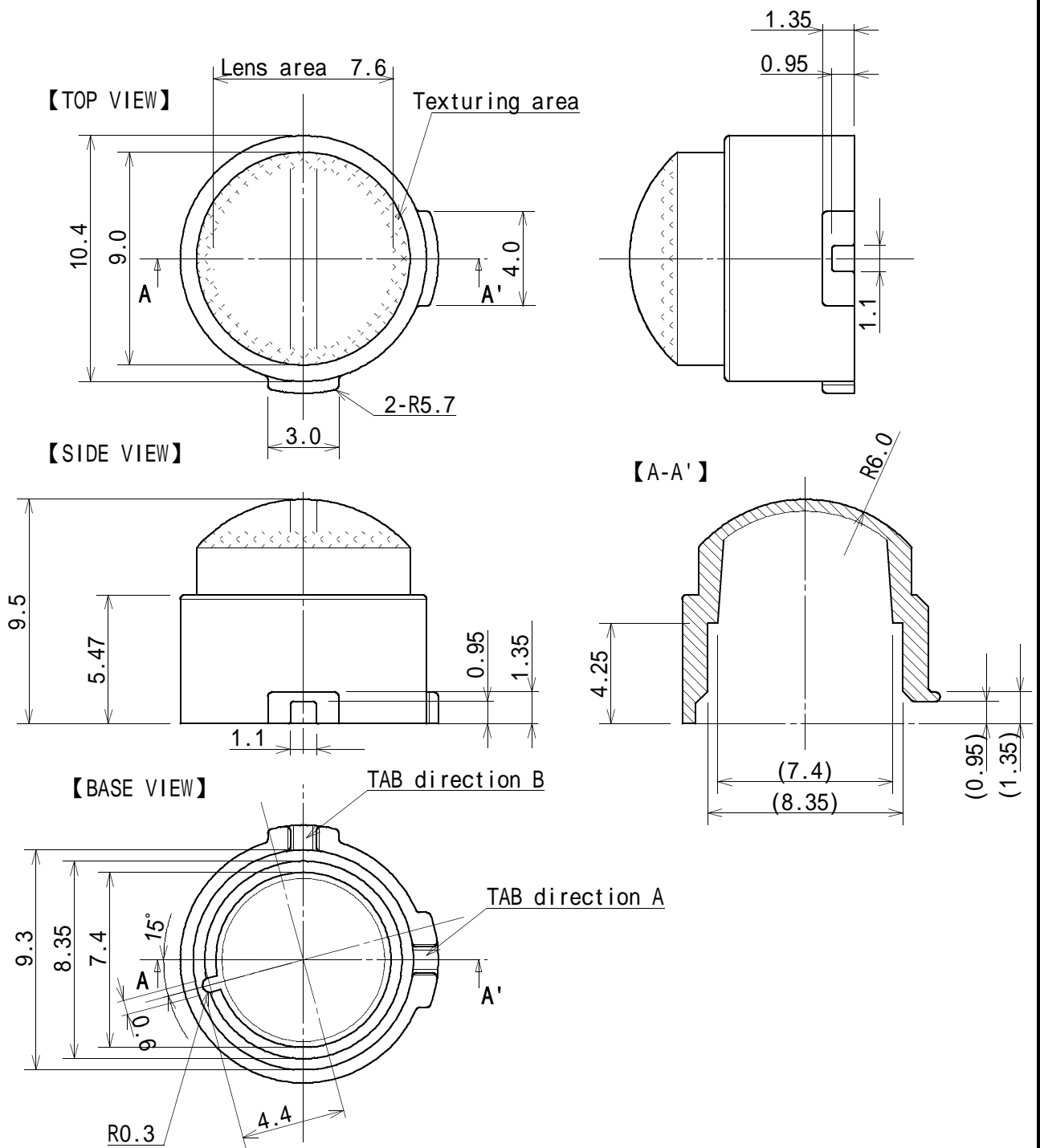
- 1) OPERATING TEMPERATURE : -20 ~ +70
- 2) STORAGE TEMPERATURE : -25 ~ +75

* AVOID RADIATION OF STRONG UV INCLUDED DIRECT SUNLIGHT.

MODEL NO. : NCL-101L PART NO. :	PAGE 2 / 15	DRAWING NO. 1006103	REV : B
	NIPPON CERAMIC CO., LTD.		

DIMENSION

UNIT [mm]



TOLERANCE WITHOUT INSTRUCTION : (+/-) 0.2

— Fig.1 —

MODEL NO. : NCL-101L

PAGE
3 / 15

DRAWING NO.
1006103

REV :
B

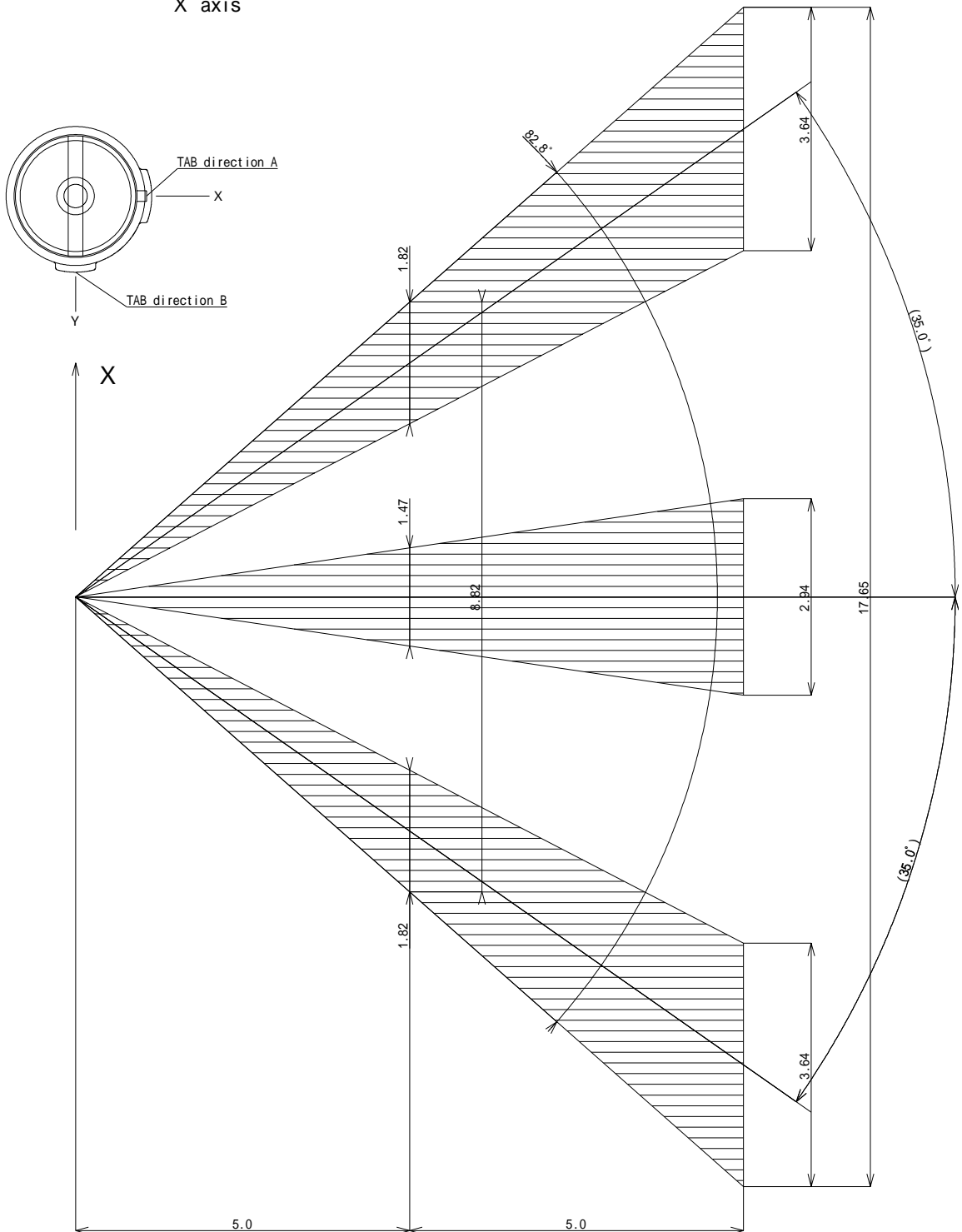
PART NO. :

© NIPPON CERAMIC CO., LTD.

FIELD OF VIEW

UNIT [m]

SINGLE ELEMENT TYPE
 ELEMENT SIZE 1.75mm
 TAB direction A
 X axis



— Fig.2A —

MODEL NO. : NCL-101L

PART NO. :

PAGE
4 / 15

DRAWING NO.
1006103

REV :
B

© NIPPON CERAMIC CO., LTD.

FIELD OF VIEW

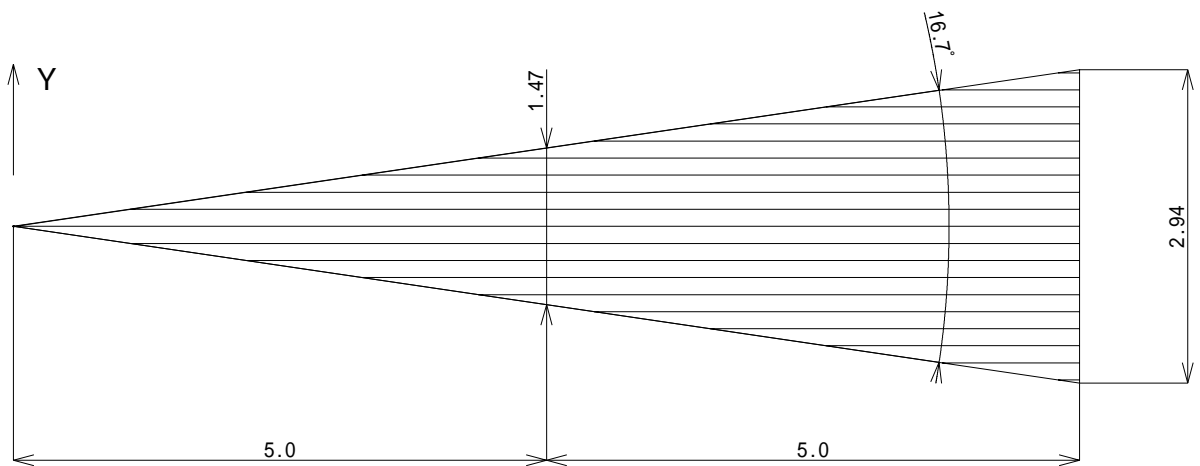
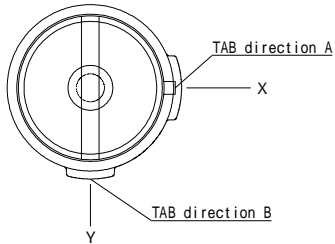
UNIT [m]

SINGLE ELEMENT TYPE

ELEMENT SIZE 1.75mm

TAB direction A

Y axis



— Fig.2B —

MODEL NO. : NCL-101L

PAGE
5 / 15

DRAWING NO.
1006103

REV :
B

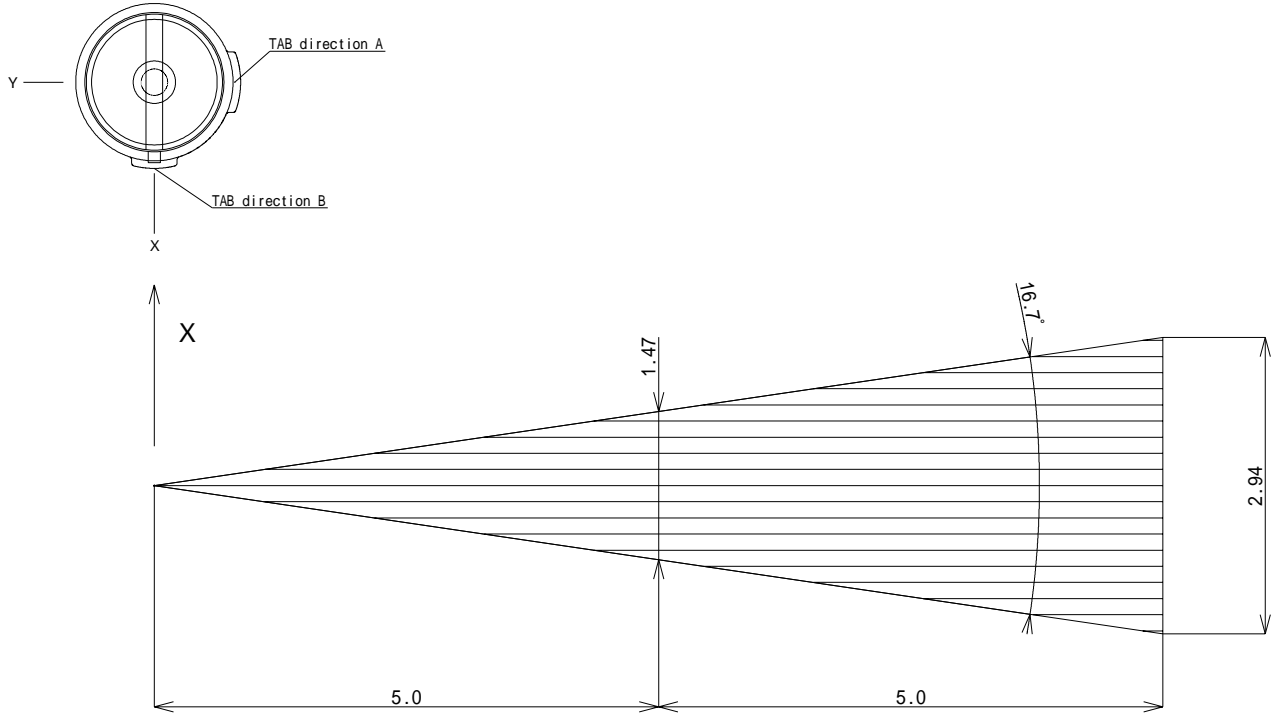
PART NO. :

© NIPPON CERAMIC CO., LTD.

FIELD OF VIEW

UNIT [m]

SINGLE ELEMENT TYPE
ELEMENT SIZE 1.75mm
TAB direction B
X axis



— Fig.2C —

MODEL NO. : NCL-101L

PAGE
6 / 15

DRAWING NO.
1006103

REV :
B

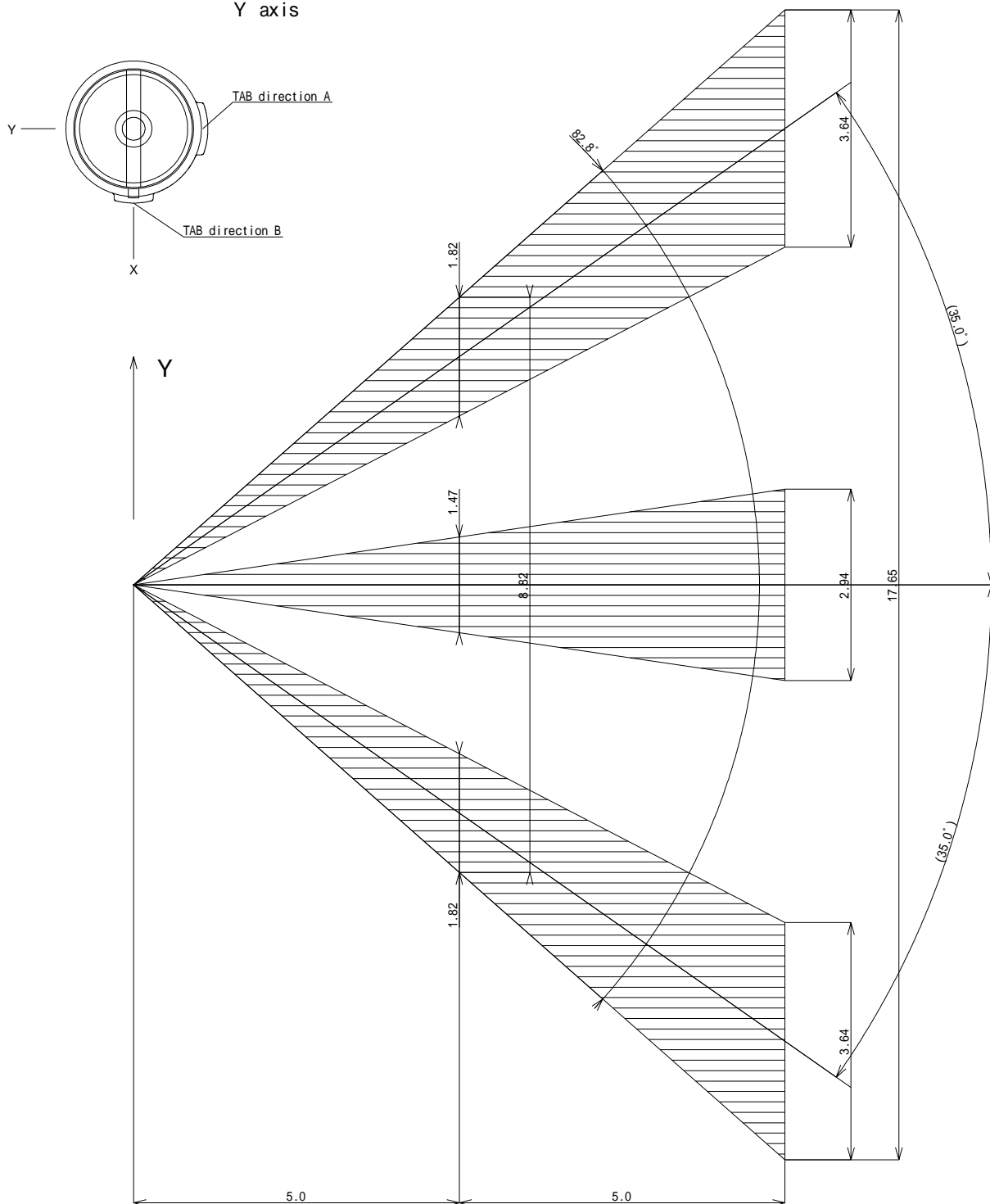
PART NO. :

© NIPPON CERAMIC CO.,LTD.

FIELD OF VIEW

UNIT [m]

SINGLE ELEMENT TYPE
 ELEMENT SIZE 1.75mm
 TAB direction B
 Y axis



— Fig.2D —

MODEL NO. : NCL-101L

PART NO. :

PAGE
7 / 15

DRAWING NO.
1006103

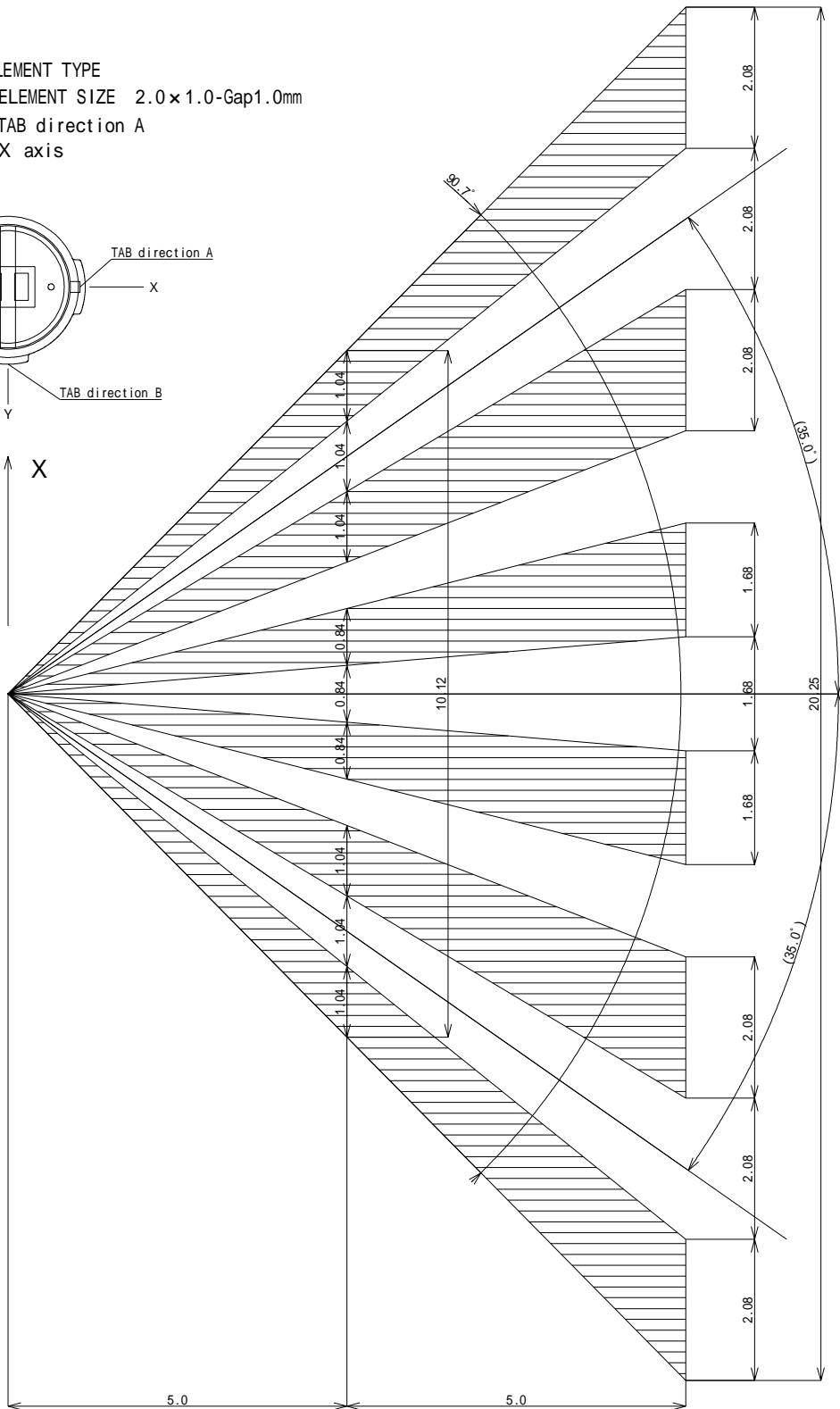
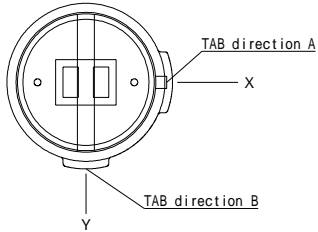
REV :
B

© NIPPON CERAMIC CO., LTD.

FIELD OF VIEW

UNIT [m]

DUAL ELEMENT TYPE
 ELEMENT SIZE 2.0×1.0-Gap1.0mm
 TAB direction A
 X axis



— Fig.2E —

MODEL NO. : NCL-101L

PART NO. :

PAGE
8 / 15

DRAWING NO.
1006103

REV :
B

© NIPPON CERAMIC CO.,LTD.

FIELD OF VIEW

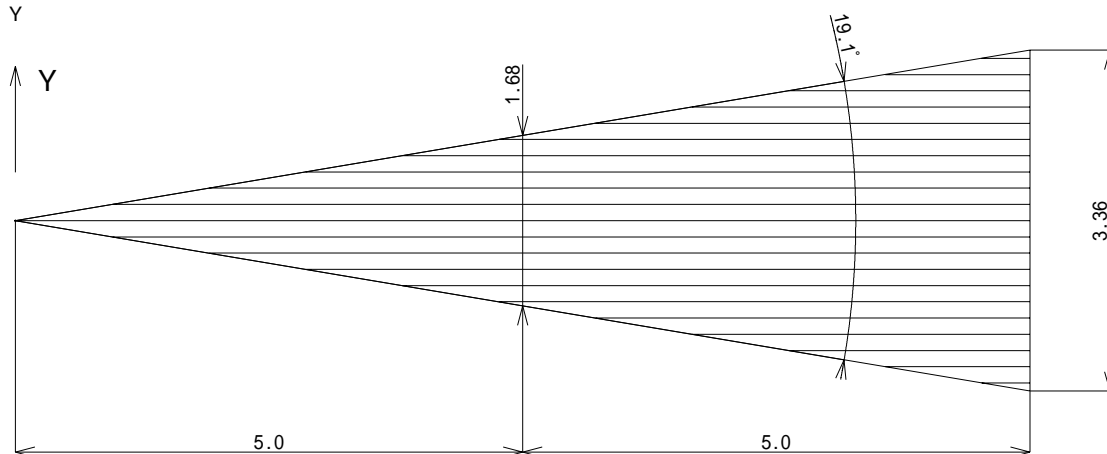
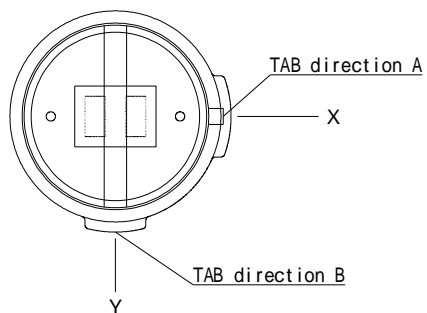
UNIT [m]

DUAL ELEMENT TYPE

ELEMENT SIZE 2.0×1.0-Gap1.0mm

TAB direction A

Y axis



— Fig.2F —

MODEL NO. : NCL-101L

PART NO. :

PAGE
9 / 15

DRAWING NO.
1006103

REV :
B

© NIPPON CERAMIC CO.,LTD.

FIELD OF VIEW

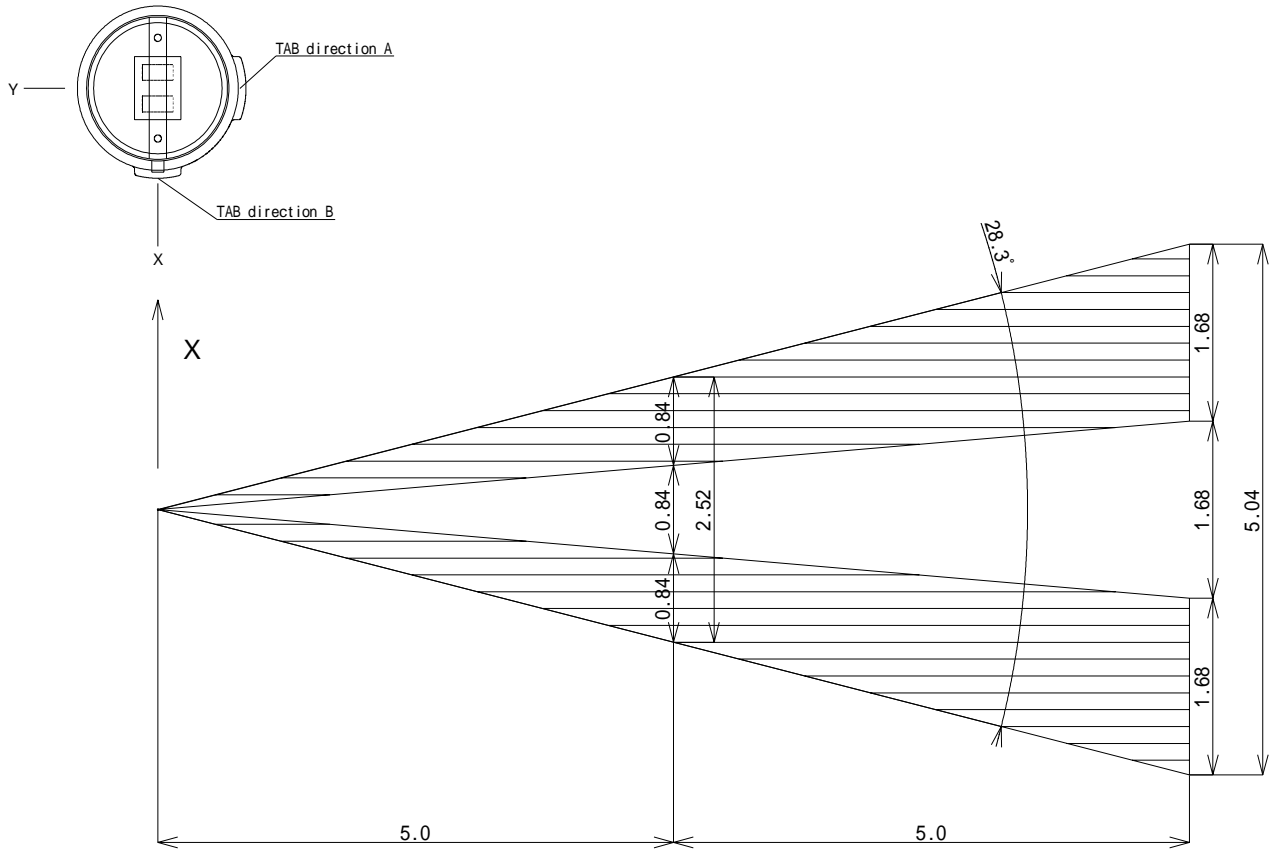
UNIT [m]

DUAL ELEMENT TYPE

ELEMENT SIZE 2.0×1.0-Gap1.0mm

TAB direction B

X axis



— Fig.2G —

MODEL NO. : NCL-101L

PAGE
10 / 15

DRAWING NO.
1006103

REV :
B

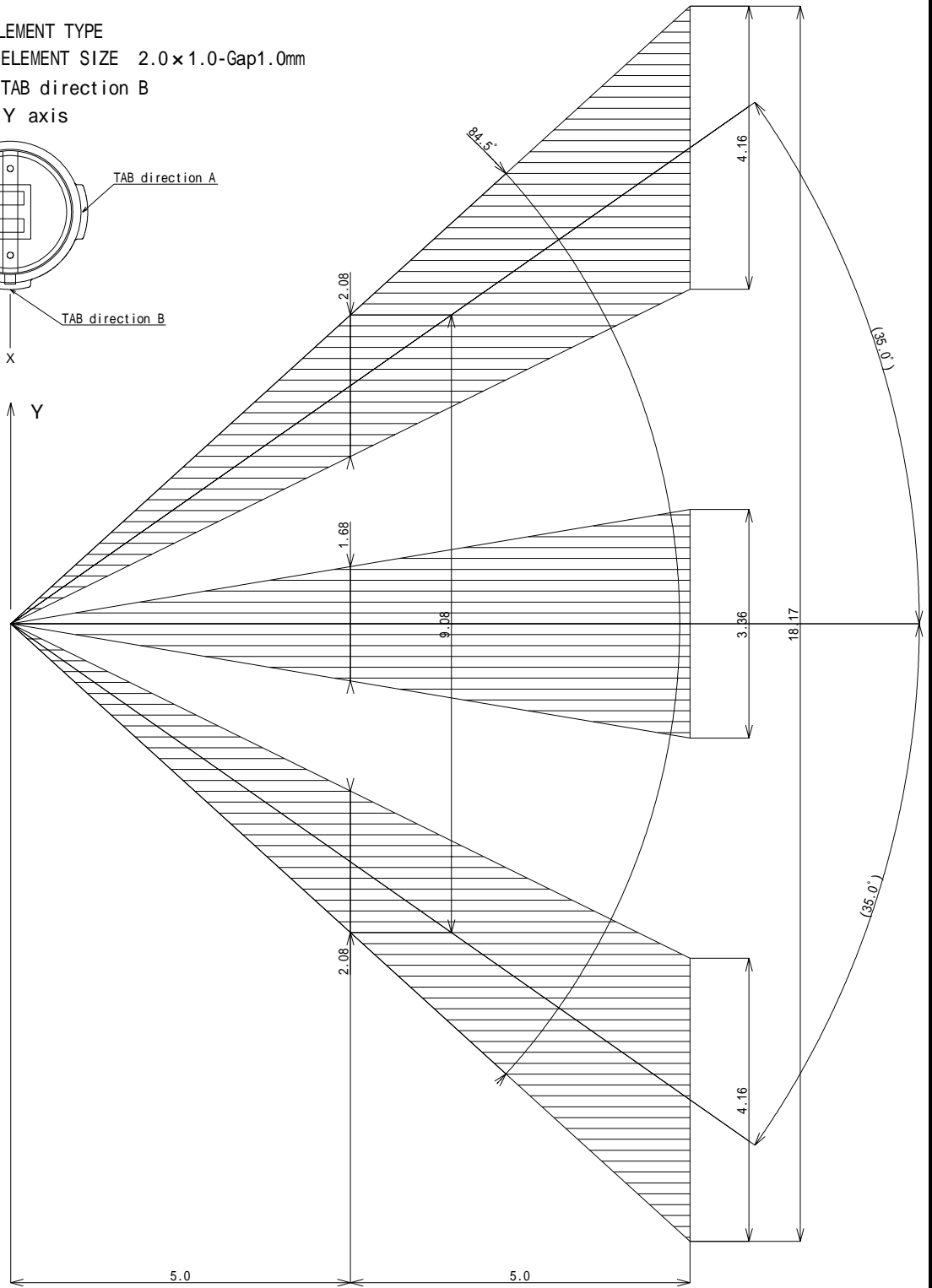
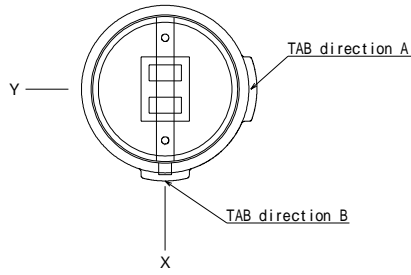
PART NO. :

© NIPPON CERAMIC CO.,LTD.

FIELD OF VIEW

UNIT [m]

DUAL ELEMENT TYPE
 ELEMENT SIZE 2.0×1.0-Gap1.0mm
 TAB direction B
 Y axis



— Fig.2H —

MODEL NO. : NCL-101L

PART NO. :

PAGE
11 / 15

DRAWING NO.
1006103

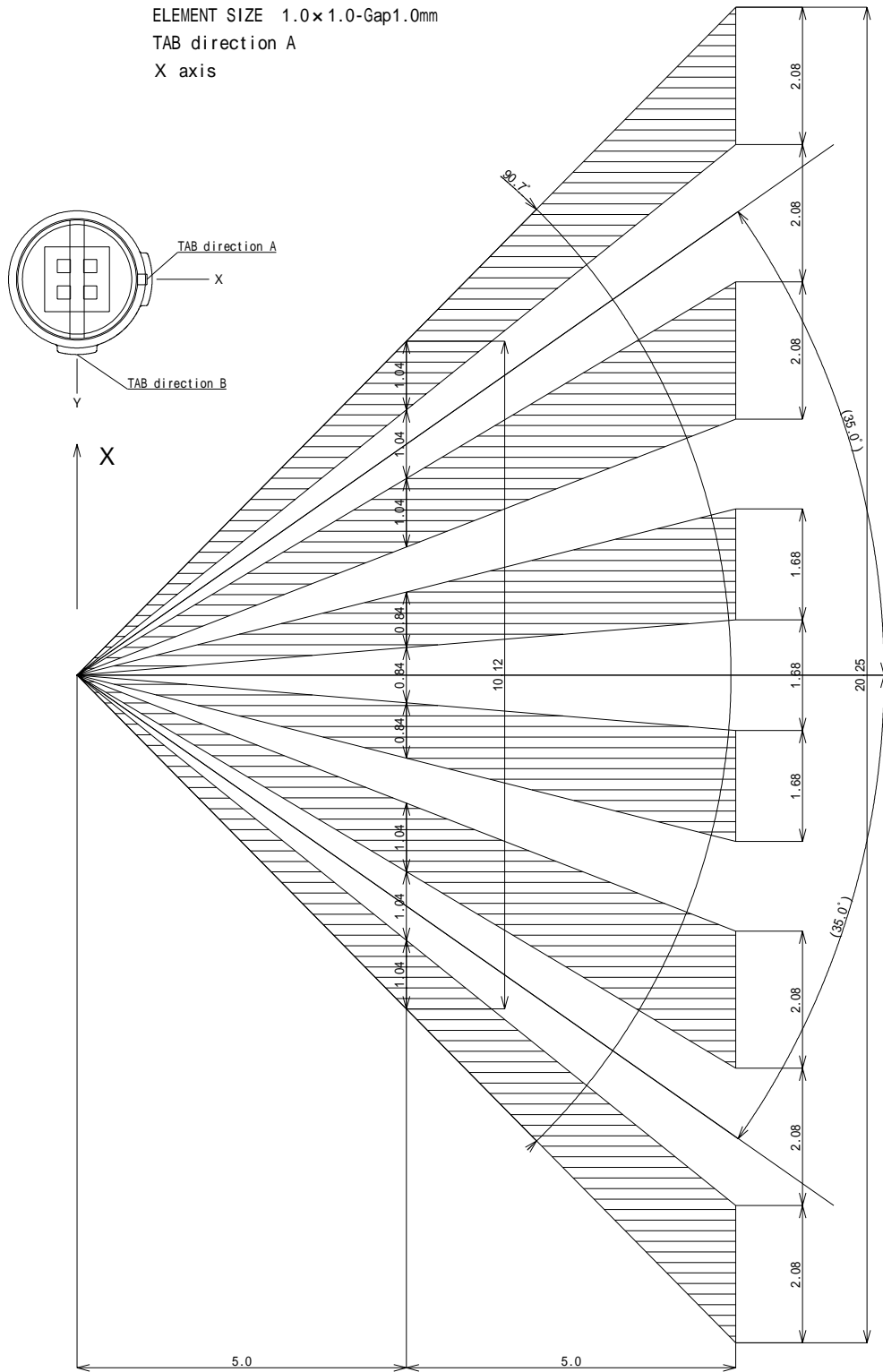
REV :
B

© NIPPON CERAMIC CO.,LTD.

FIELD OF VIEW

UNIT [m]

4 ELEMENT TYPE
 ELEMENT SIZE 1.0×1.0-Gap1.0mm
 TAB direction A
 X axis



— Fig.2I —

MODEL NO. : NCL-101L

PART NO. :

PAGE
12 / 15

DRAWING NO.
1006103

REV :
B

© NIPPON CERAMIC CO.,LTD.

FIELD OF VIEW

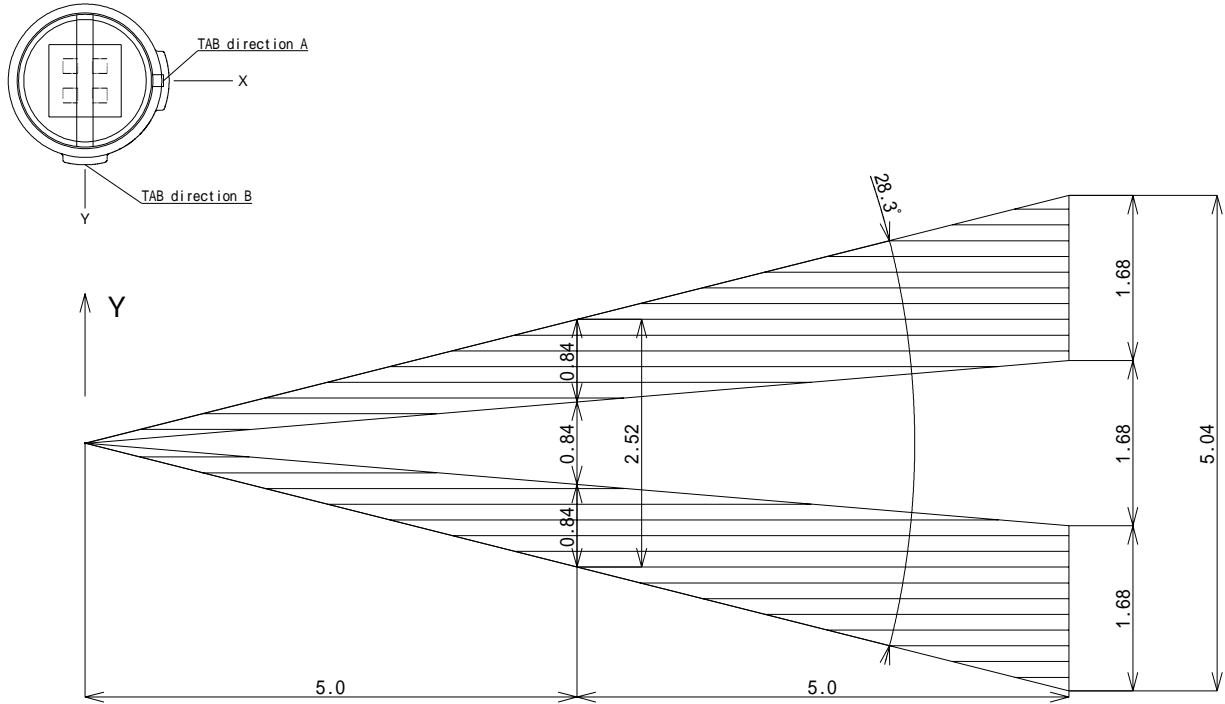
UNIT [m]

4 ELEMENT TYPE

ELEMENT SIZE 1.0×1.0-Gap1.0mm

TAB direction A

Y axis



— Fig.2J —

MODEL NO. : NCL-101L

PART NO. :

PAGE
13 / 15

DRAWING NO.
1006103

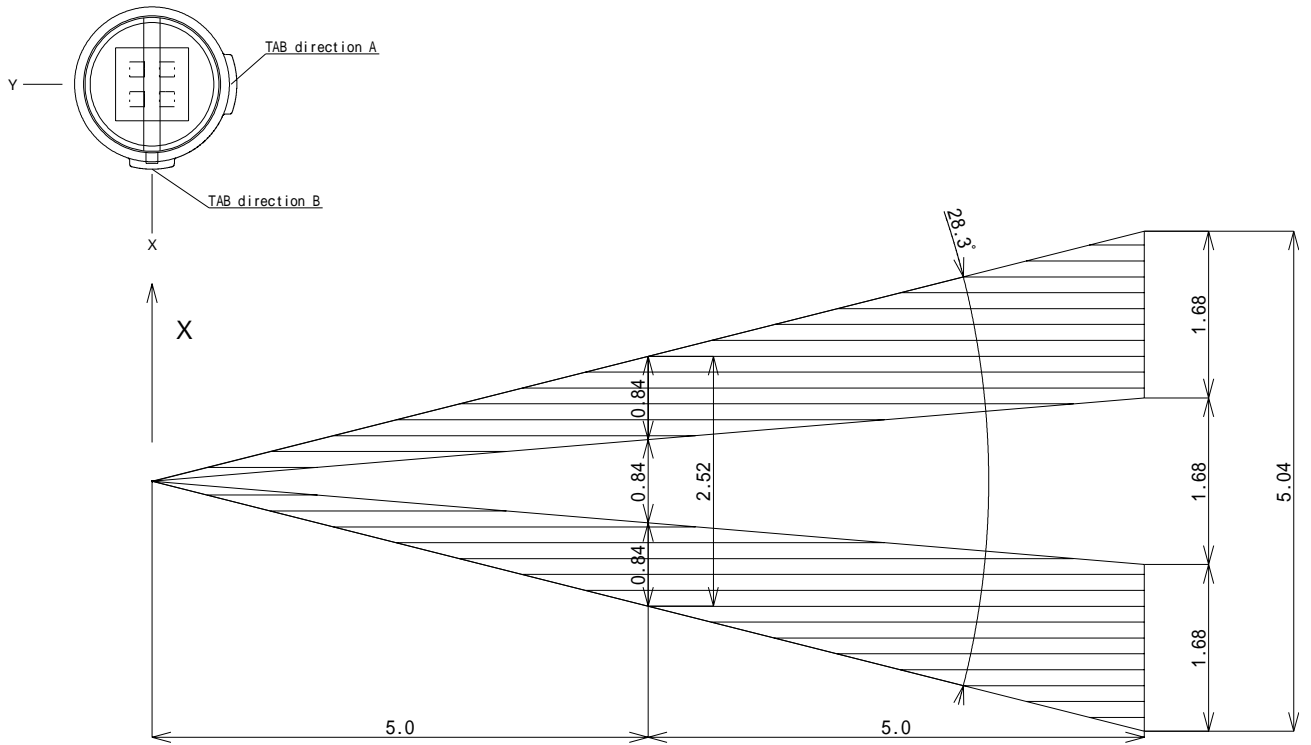
REV :
B

© NIPPON CERAMIC CO., LTD.

FIELD OF VIEW

UNIT [m]

4 ELEMENT TYPE
 ELEMENT SIZE 1.0×1.0-Gap1.0mm
 TAB direction B
 X axis



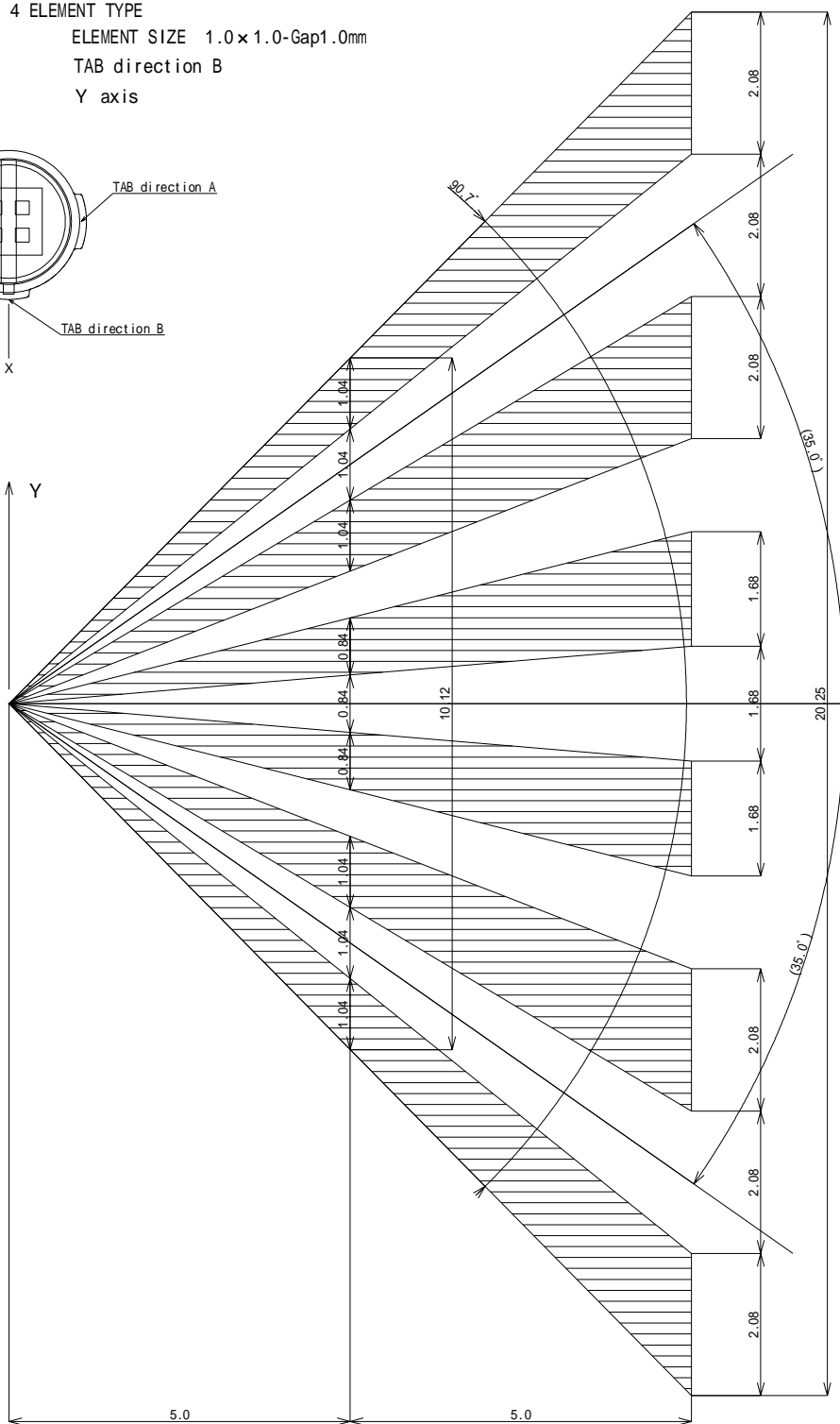
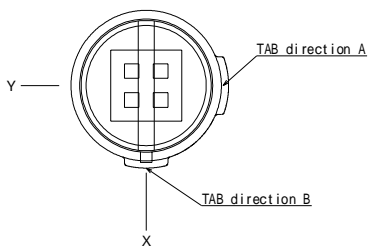
— Fig.2K —

MODEL NO. : NCL-101L PART NO. :	PAGE 14 / 15	DRAWING NO. 1006103	REV : B
	NIPPON CERAMIC CO., LTD.		


FIELD OF VIEW

UNIT [m]

4 ELEMENT TYPE
 ELEMENT SIZE 1.0×1.0-Gap1.0mm
 TAB direction B
 Y axis



— Fig.2L —

MODEL NO. : NCL-101L PART NO. :	PAGE 15 / 15	DRAWING NO. 1006103	REV : B
	 NIPPON CERAMIC CO.,LTD.		