

## Specifications

Rating	16A(4) 125/250VAC (UL, VDE) 1/2HP 125VAC 3/4HP 250VAC		
Electrical Life Expectancy:	16A 125/250VAC	> 50,000 cycles	
	10A 125/250VAC	>100,000 cycles	
	3A 125/250VAC	>200,000 cycles	
Mechanical Life:	1,000,000 cycles min.		
Operating Temp:	-25°C ~ +85°C (MQS-216S) -25°C ~ +125°C (MQS-216T)		
Insulation Resistance:	100 MΩ min.		
Dielectric Strength:	1000VAC for 60 +/- 5 sec		
Housing:	UL 94V0 Thermoplastic		
Operating Force:	55 +/- 15gf,	100 +/- 25gf	
(on plunger)	160 +/- 30gf,	200 +/- 30gf	
	350 +/- 50gf		



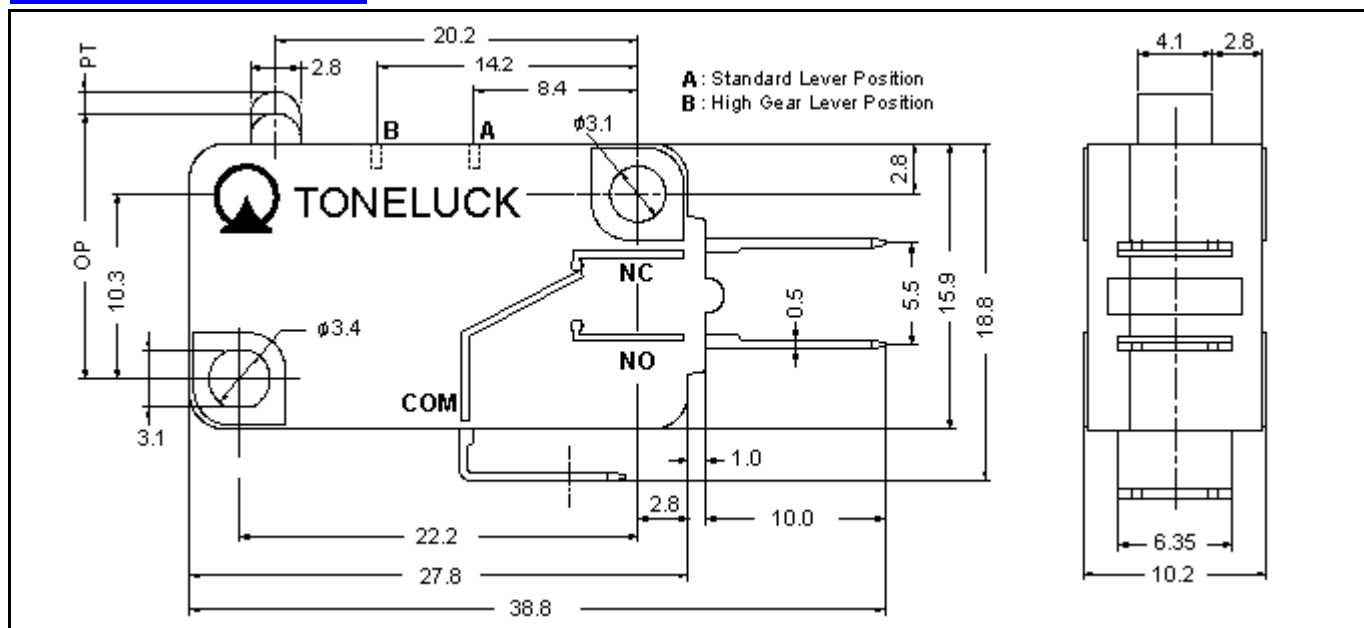
Ordering qty: 200pcs  
Switch with lever: 1000pcs

## Ordering Instructions

<b>MQS-216S</b>	<b>A</b>	<b>01</b>	<b>A</b>	<b>A</b>	<b>K</b>	<b>01</b>
-----------------	----------	-----------	----------	----------	----------	-----------

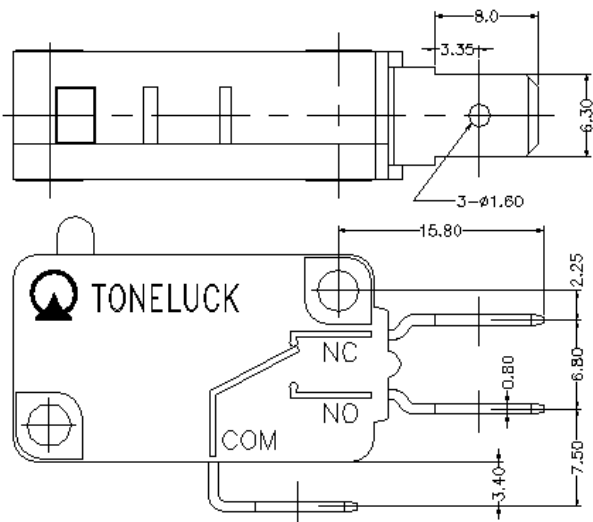
T85: MQS-216S	Lever Position	Lever Type	Terminal Type	Circuitry	Operating Force	Versions
T125:MQS-216T	A	01, 02, 03, .99	Ref. to drawing	(silver contacts) A=SPDT B=SPST-NC C=SPST-NO	K L M N P	Standard: 01 Custom-made: 02, 03, 04, ...99 1A, 1B, 1C ...1Y
	B	A1, A2, A3, ZZ		(Gold Contacts) D=SPDT E=SPST -NC F=SPST-NO		
	N=no lever	00=no lever				

## Basic Switch Dimensions

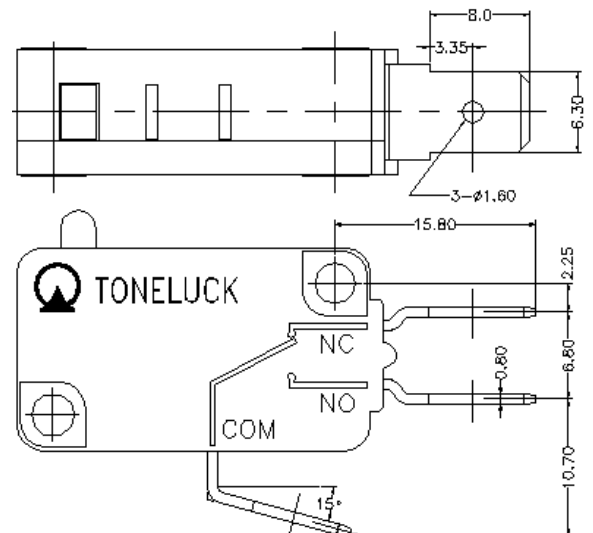


## Standard Terminals

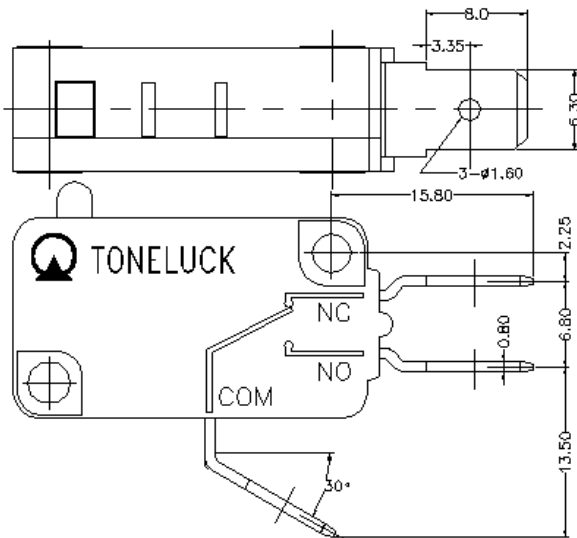
A: 6.3x0.8 terminals



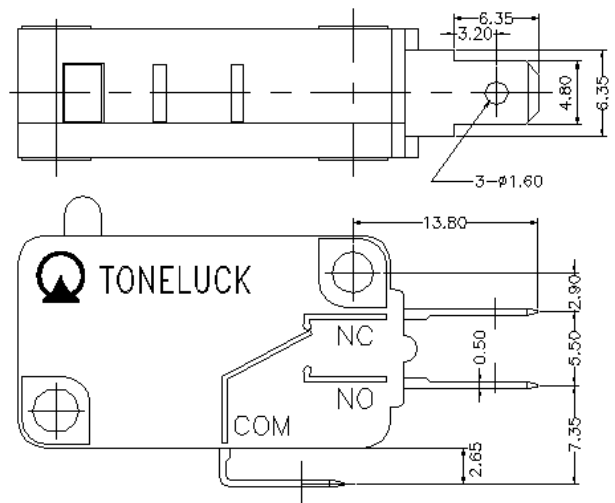
J: 6.3x0.8 terminals



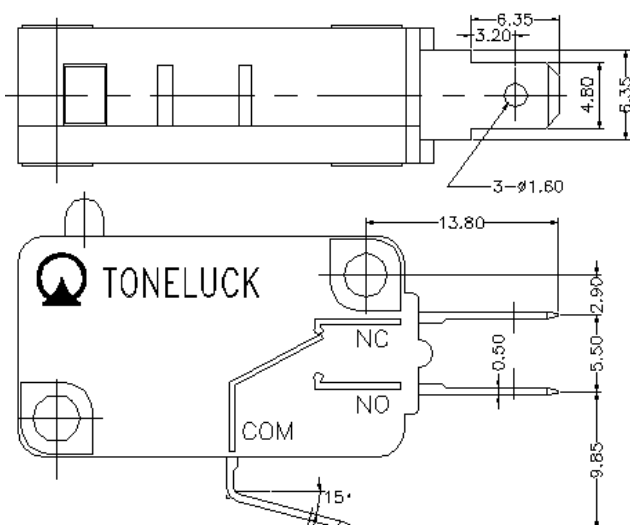
K: 6.3x0.8 terminals



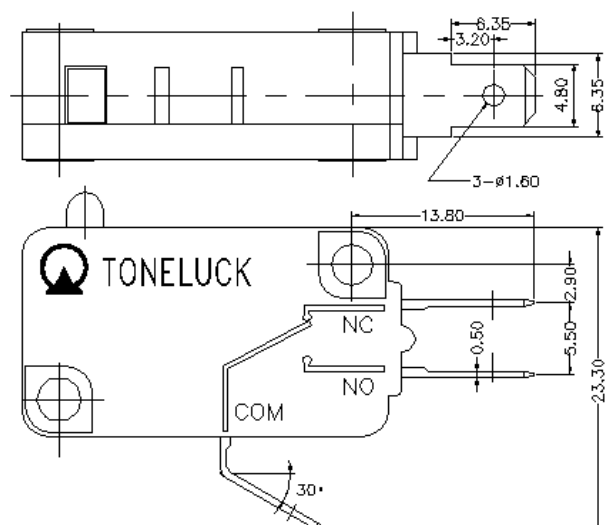
B: 4.8x0.5 terminals



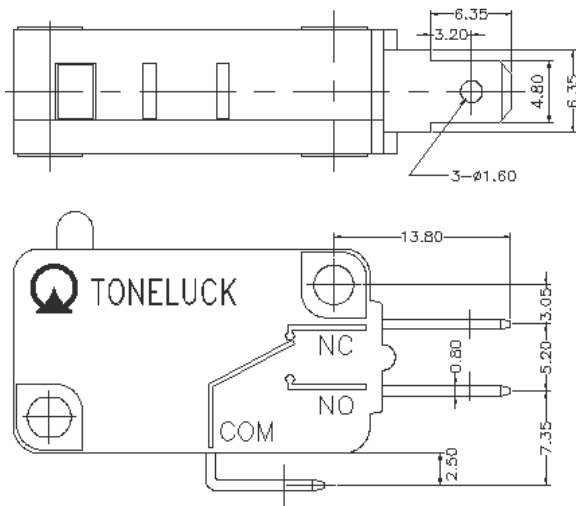
H: 4.8x0.5 terminals



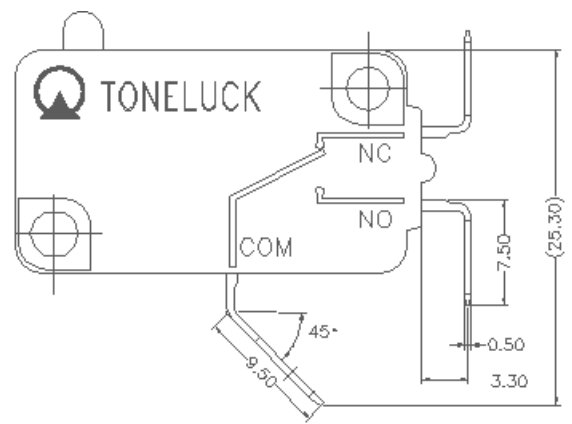
M: 4.8x0.5 terminals



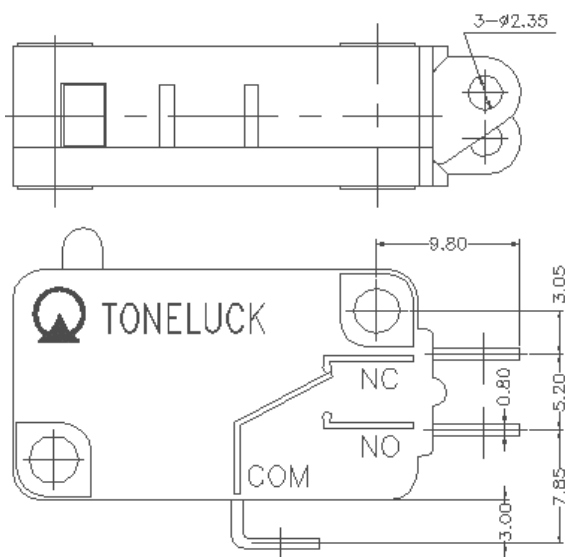
S: 4.8x0.8 terminals



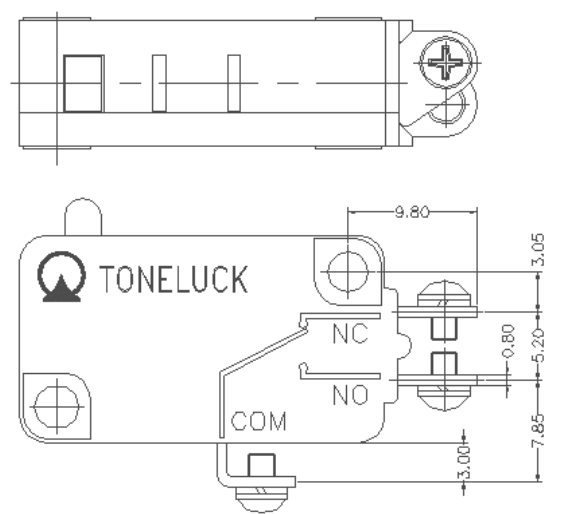
T: 4.8x0.5 terminals



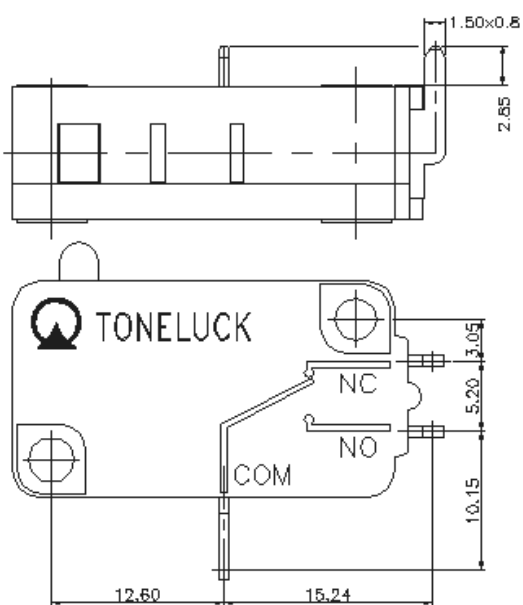
C: Solder Terminals



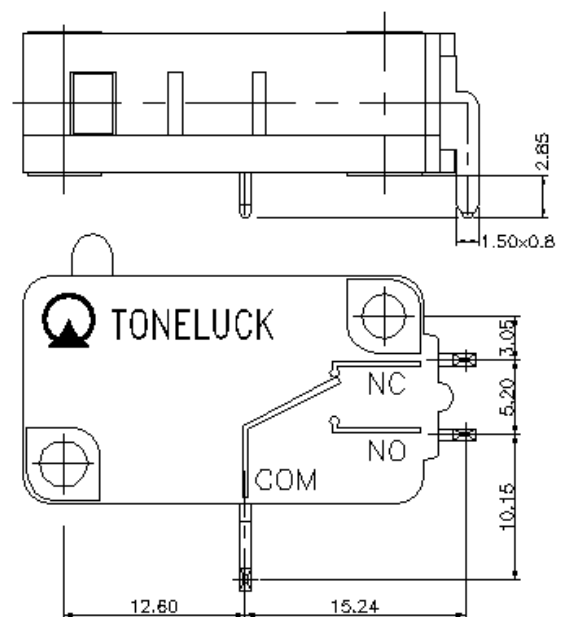
D: Screw Terminals



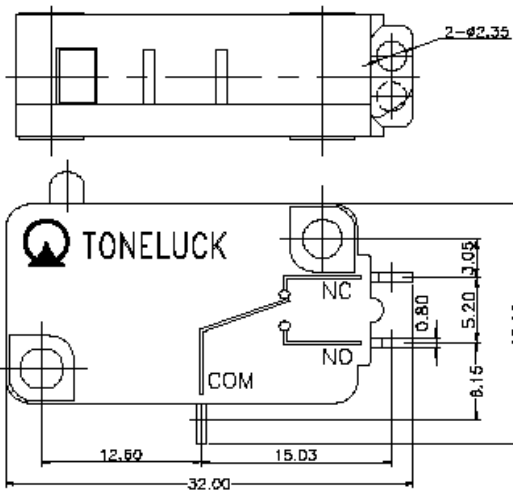
P: PCB Terminal -Right



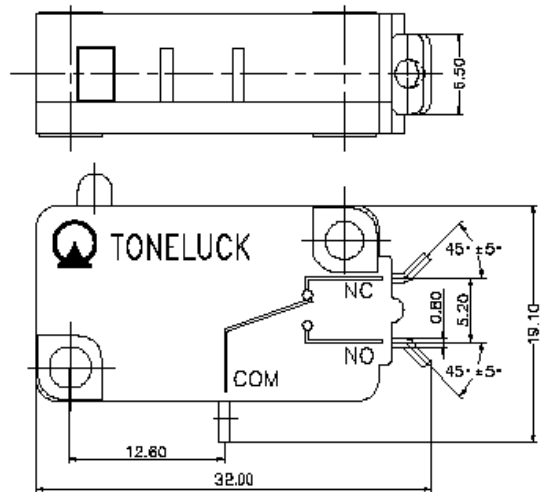
Q: PCB Terminal -Left



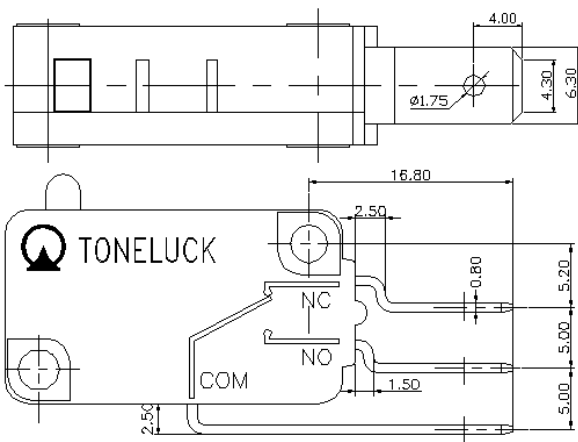
U: Ultra Short Solder Terminals



V: Bent Ultra Short Solder Terminals



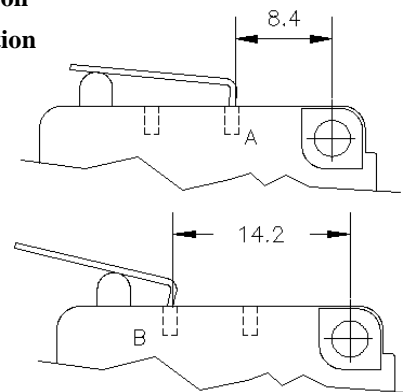
R: 6.3x0.8, RAST-5 terminals



Lever Positions

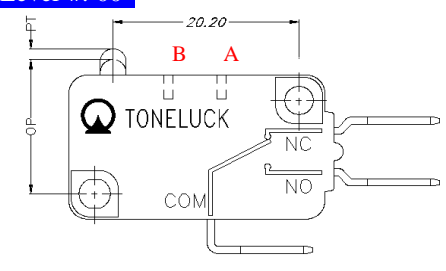
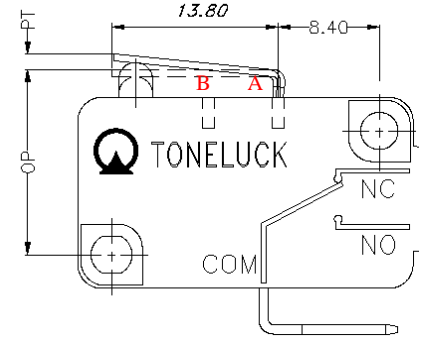
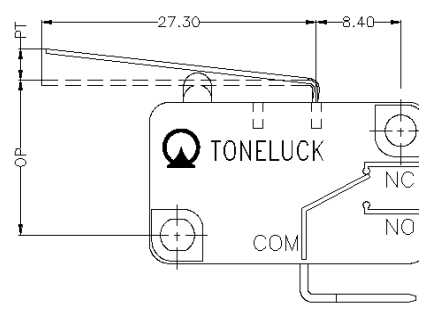
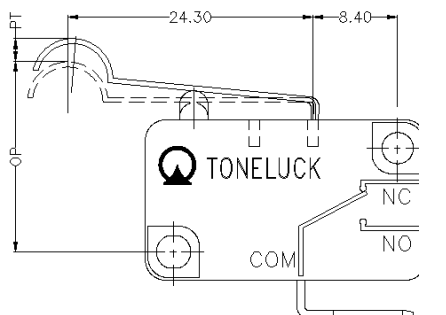
A= standard position

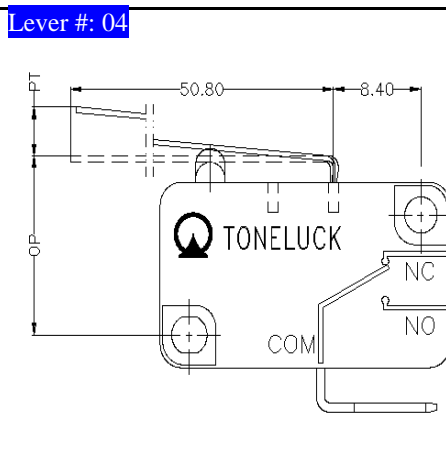
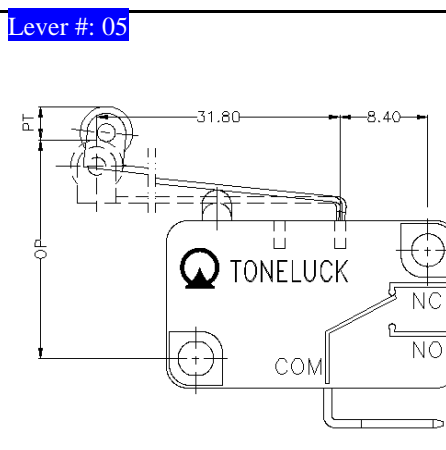
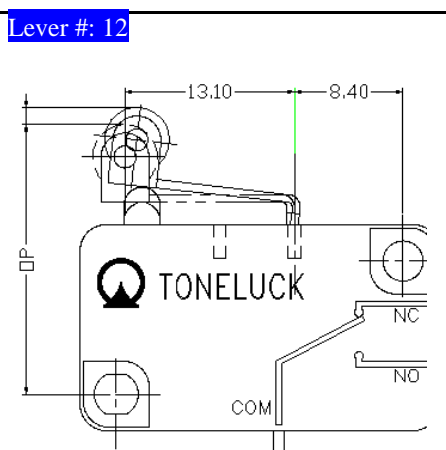
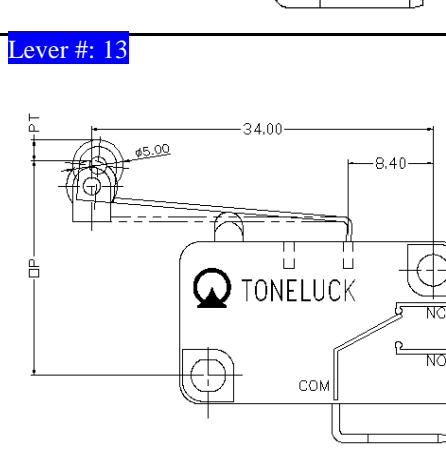
B= high ratio position



**Standard Levers for MQS-2xx & E series Basic Switches**

(All dimensions in [mm], force in gram)

Lever Type	Lever position	Op. force(gf)	RF (min)	OP	PT (max)	OT (min)	MD (max)
<b>Lever #: 00</b> 	-	K: 55 ± 15	10	14.7±0.5	1.2	1.25	0.40
		L: 100 ± 25	20				
		M: 160 ± 30	50				
		N: 200 ± 30	55				
		P: 350 ± 50	80				
<b>Lever #: 01</b> 	A	K: 55 ± 15	10	15.3±0.5	1.6	1.5	0.5
		L: 100 ± 25	20				
		M: 160 ± 30	50				
		N: 200 ± 30	55				
		P: 350 ± 50	80				
	B	K: 30 ± 15	10	15.3±1.1	3.0	2.4	0.75
		L: 50 ± 15	15				
		M: 80 ± 20	30				
		N: 100 ± 20	40				
		P: 175 ± 30	50				
<b>Lever #: 02</b> 	A	K: 30 ± 15	10	15.3±1.5	3.3	2.5	1.2
		L: 50 ± 15	15				
		M: 75 ± 20	30				
		N: 95 ± 20	40				
		P: 170 ± 30	50				
	B	K: 20 ± 8	5	15.3±2.3	6.0	4.8	1.65
		L: 30 ± 10	10				
		M: 40 ± 15	15				
		N: 50 ± 15	20				
		P: 85 ± 20	30				
<b>Lever #: 03</b> 	A	K: 30 ± 15	10	18.7±1.5	2.8	2.4	1.1
		L: 55 ± 15	15				
		M: 85 ± 20	30				
		N: 105 ± 20	40				
		P: 180 ± 30	50				
	B	K: 20 ± 8	5	18.7±2.1	5.5	4.1	1.6
		L: 30 ± 10	10				
		M: 45 ± 15	15				
		N: 55 ± 15	20				
		P: 100 ± 25	30				

Lever Type	Lever position	Op. force (gf)	RF min	OP	PT (max)	OT (min)	MD (max)
<b>Lever #: 04</b> 	A	K: 12 ± 5	4	15.3±2.5	6.5	4.4	2.2
		L: 25 ± 10	8				
		M: 40 ± 15	15				
		N: 50 ± 15	20				
		P: 85 ± 20	30				
	B	K: 7 ± 5	2	15.3±4.3	11.5	8.3	3.5
		L: 15 ± 8	5				
		M: 20 ± 8	8				
		N: 25 ± 10	10				
		P: 55 ± 15	15				
<b>Lever #: 05</b> 	A	K: 20 ± 10	5	20.7±1.5	3.7	3.3	1.3
		L: 40 ± 15	10				
		M: 60 ± 15	25				
		N: 75 ± 20	30				
		P: 140 ± 30	45				
	B	K: 12 ± 5	4	20.7±2.2	7.5	5.5	2.4
		L: 20 ± 10	8				
		M: 35 ± 15	12				
		N: 40 ± 15	15				
		P: 80 ± 20	25				
<b>Lever #: 12</b> 	A	K: 55 ± 15	10	20.7±0.5	1.6	1.5	0.5
		L: 100 ± 25	20				
		M: 160 ± 30	50				
		N: 200 ± 30	55				
		P: 350 ± 50	80				
	B	K: 30 ± 15	10	20.7±1.1	3.0	2.4	0.75
		L: 50 ± 15	15				
		M: 80 ± 20	30				
		N: 100 ± 20	40				
		P: 175 ± 30	50				
<b>Lever #: 13</b> 	A	K: 30 ± 15	10	20.7±0.5	3.3	2.5	1.2
		L: 50 ± 15	15				
		M: 80 ± 20	30				
		N: 100 ± 20	40				
		P: 175 ± 30	50				
	B	K: 20 ± 8	5	20.7±2.2	6.0	4.8	1.6
		L: 30 ± 10	10				
		M: 40 ± 15	10				
		N: 50 ± 15	15				
		P: 90 ± 20	30				

## Other standard levers

<p><b>No.#06</b></p>	<p><b>No.#07</b></p>
<p><b>No.#09</b></p>	<p><b>No.#10</b></p>
<p><b>No.#16</b></p>	<p><b>No.#17</b></p>
<p><b>No.#08</b></p>	<p><b>No.#18</b></p>
<p><b>No.#11</b></p>	

**Note:** Please contact Toneluck or her representatives for more levers