



LOGIC
TECHNOLOGIES

PRODUCT SPECIFICATION

DESCRIPTION

TFT Module – 5.0” WVGA
800 x (RGB) x 480
Full viewing angle High brightness
With resistive touch panel

PART NUMBER

LT180408-050RP

VERSION

1.0

ROHS COMPLIANT

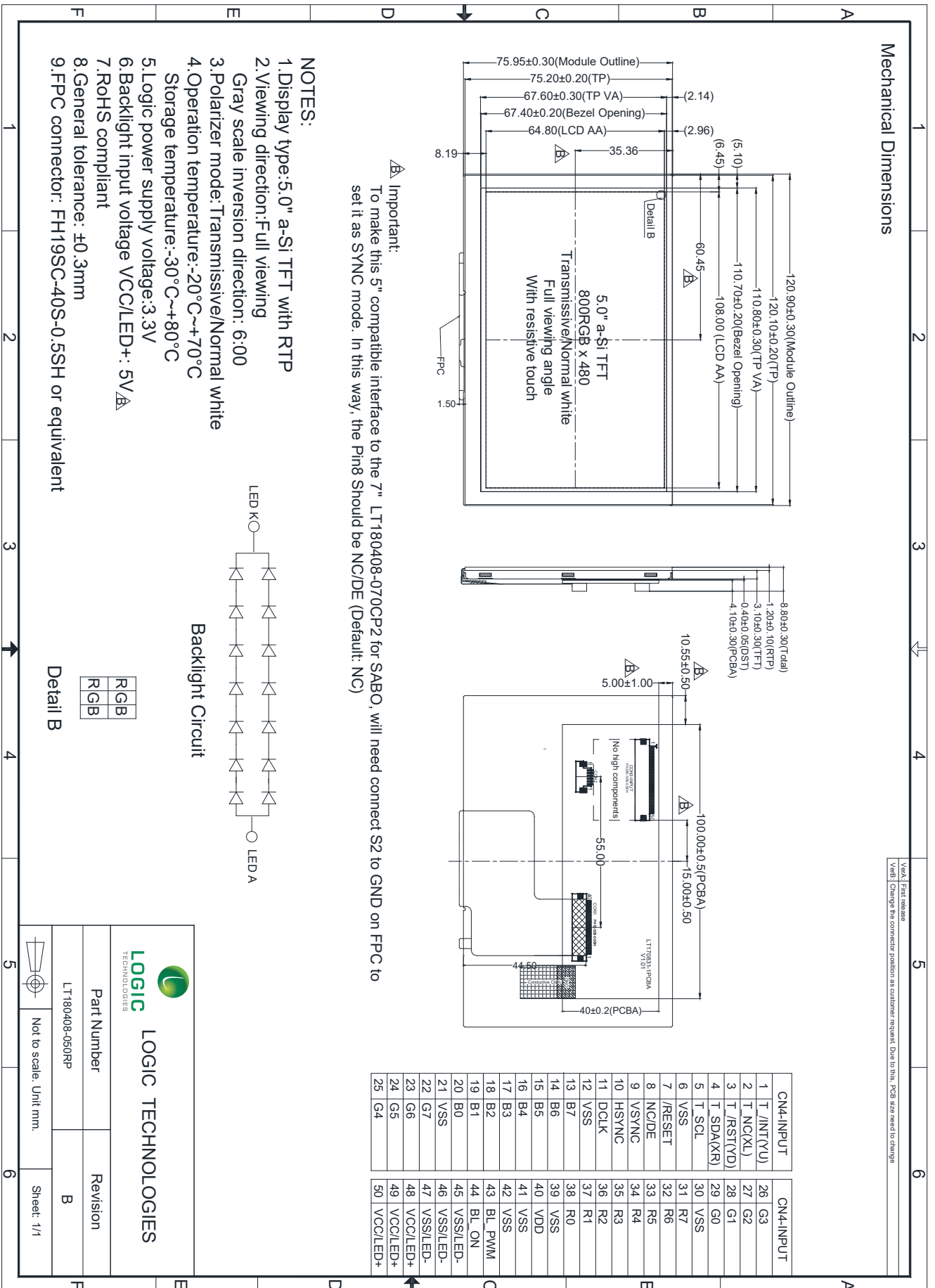
Table of Contents

- GENERAL INFORMATION
- MECHANICAL DIMENSIONS
- ABSOLUTE MAXIMUM RATINGS
- ELECTRICAL CHARACTERISTICS
- BACKLIGHT CHARACTERISTICS
- ELECTRO-OPTICAL CHARACTERISTICS
- INTERFACE DESCRIPTION
- BLOCK DIAGRAM
- TIMING CHARACTERISTICS
- TIMING CHART & DATA
- TOUCH PANEL CHARACTERISTICS

- GENERAL INFORMATION

Item	Contents	Unit
LCD Type	TFT Transmissive, anti-glare	/
Technology	a-Si TFT	-
Viewing Direction	Full View	O'clock
Viewing Angle (Gray Scale Inversion Direction)	6:00	O'clock
Module dimensions (W x H x T)	120.9 x 76.0 x 9.2(Max)	mm
Active area (W x H)	108.0 x 64.8	mm
Number of pixels	800 x 3 (RGB) x 480	/
Pixel pitch (W x H)	0.135x 0.135	mm ²
Colours	16.7M	/
Contrast ratio	500 (typical)	/
Backlight	LED (14; 7x serial, 2 x parallel)	/
Backlight Brightness	400(typical)	cd/m ²
Interface	RGB 24bit + TCON	/
Touch solution	With Resistive Touch	/
Touch driver	NA	/
Touch Interface	Resistive touch terminal	/
Operating temperature	-20 to +70	°C
Storage temperature	-30 to +80	°C

MECHANICAL DIMENSIONS



- ABSOLUTE MAXIMUM RATING

Parameter	Symbol	Min.	Max.	Unit	Note
Power Voltage	V _{DD}	- 0.5	5.0	V	---
Backlight LED Forward Current	I _F	---	25	mA	One LED
Operating Temperature	T _{OPR}	- 20	70	°C	---
Storage temperature	T _{ST}	- 30	80	°C	---

- ELECTRICAL CHARACTERISTICS (Ta = 25°C)

Parameter	Symbol	Min	Typ.	Max	Unit	Remark
Supply Voltage	V _{DD}	3.00	3.30	3.60	V	---
Input Signal Voltage	Low Level	V _{IL}	0	---	0.3xV _{DD}	
	High Level	V _{IH}	0.7xV _{DD}	---	V _{DD}	
Output Signal Voltage	Low Level	V _{OL}	0	---	V _{DD} +0.4	
	High Level	V _{OH}	V _{DD} -0.4	---	V _{DD}	
Current (TFT panel only)	Black Mode (60Hz)	---	38	56	mA	
Power Consumption	Panel and Gamma		125	185	mW	All pixels on and black
	Backlight		1.19	1.68	W	
	Total		1.32	1.87	W	

- BACKLIGHT UNIT CHARACTERISTICS

Item	Symbol	Min.	Typ.	Max.	Unit	Condition
Driver Input Voltage	V _{CC/LED+}	---	5	6	V	
Current of driver IC	I _{VLED}	---	238	280	mA	
Power Consumption	P _{BL}	---	1.19	1.68	W	Notes
PWM Frequency	PWM	100	150	200	Hz	
Forward Current	I _F	---	40	50	mA	Notes
Forward Current Voltage	V _F	---	22.4	23.1	V	Notes
LED Lifetime	---	30k	---	---	Hrs	Notes

NOTES:

Backlight drive conditions: constant current driving method.

- The LED driving condition is defined for each LED module (7 LED Serial, 2 LED Parallel).
- The LED driving condition is defined for total backlight consumption.
- Forward Voltage adjustment depends on the Forward Current setting.
- One LED : max IF = 25mA, VF = 3.3V
- The LED lifetime is estimated data at 25degC operating.
- I_F defined for whole backlight without driver.
- If the LEDs are driven by high current, high ambient temperature & humidity condition the lifetime of the LEDs will be reduced.
- Operating life means brightness reduces to 50% of initial brightness.
- Backlight diagram.
-



- ELECTRO-OPTICAL CHARACTERISTICS

Item	Symbol	Condition	Min.	Typ.	Max.	Unit	Refer	Note	
Response Time	T_{ON}	25°C	---	20	30	ms	Fig 1	1	
	T_{OFF}								
Contrast ratio	Cr	$\theta=0^\circ$	400	500	---	---	Fig 2	1	
Uniformity	U	---	70	80	---	%	Fig 2	3	
NTSC	---	---	---	50	---	%			
Surface Luminance (no Touch panel)	L_v		350	400	---	cd/m ²	Fig 2	2	
Viewing angle ratio	Cr=10	$\varnothing=Top$	60	75	---	deg	Fig 3	6	
		$\varnothing=Bottom$	60	75	---				
		$\varnothing=Left$	60	75	---				
		$\varnothing=Right$	60	75	---				
CIE (x,y) chromaticity	Red	x	Backlight On	0.540	0.590	0.640	---	Fig 2.	5
		y		0.300	0.350	0.400			
	Green	x		0.290	0.340	0.390			
		y		0.530	0.580	0.630			
	Blue	x		0.100	0.150	0.200			
		y		0.060	0.110	0.150			
	White	x		0.260	0.310	0.360			
		y		0.280	0.320	0.380			

Optical performance should be evaluated at $T_a=25^\circ\text{C}$.

Note

1. Contrast ratio (CR) is defined mathematically in Figure 2.

$$\text{Contrast Ratio} = \frac{\text{Average Surface Luminance with all white pixels (P1, P2, P3, P4, P5)}}{\text{Average Surface Luminance with all black pixels (P1, P2, P3, P4, P5)}}$$

Note 2. Surface luminance is the LCD surface from the surface with all pixels displaying white. For more information see figure 2.

$$L_v = \text{Average Surface Luminance with all white pixels (P1, P2, P3, P4, P5...)}$$

Note 3. Uniformity of surface luminance, White, is defined mathematically in figure 2.

$$\text{White} = \frac{\text{Minimum Surface Luminance with all white pixels (P1, P2, P3, P4, P5)}}{\text{Maximum Surface Luminance with all white pixels (P1, P2, P3, P4, P5)}}$$

Note 4. Response time is the time required for the display to transition from white to black (rise time T_r) and from black to white (decay or fall time, T_f). The industry standard test equipment used is the Autronic-Melcher's Conoscope.

Note 5. CIE (x,y) chromaticity. The x,y value is determined by measuring luminance at each test position 1 through 5, then calculating the average value.

Note 6. The Viewing angle is the angle at which the contrast ratio is greater than 2. For a TFT module, the contrast ratio is greater than 10. The angles are determined for the horizontal or 'x' axis and the vertical or 'y' axis with respect to the 'z' axis, being the LCD surface reference. Also see figure 3.

Note 7. For viewing angle and response time testing, the testing data is based on Autronic-Melcher's BM-7A. For the contrast ratio, surface luminance, luminance uniformity and chromaticity (CIE), the test data is based on the industry's standard SR-3A photo detector.

Note 8. For TFT modules, grey scale reversing occurs in the direction of the panel viewing angle.

Figure 1. Definition of response time

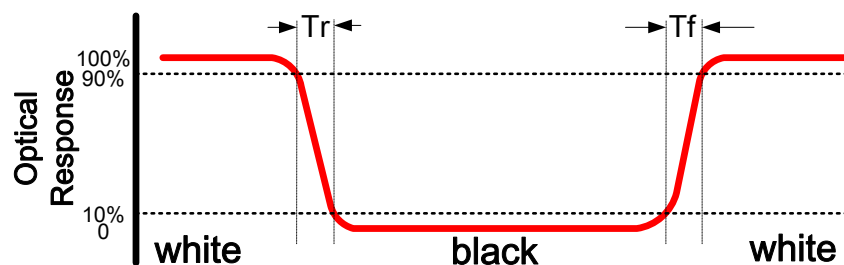


Figure 2. Measuring contrast ratio, surface luminance, luminance uniformity and CIE (chromaticity.)

A : 5mm, B : 5mm, H, V : Active area, Light spot size $q = 7\text{mm}$, 500mm distance from the LCD surface to the detector lens.

Measurement instrument is Topcon's luminance meter BM-5.

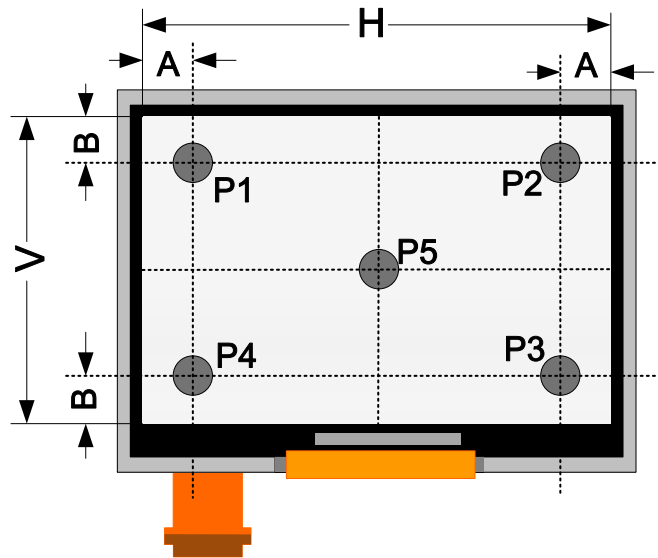
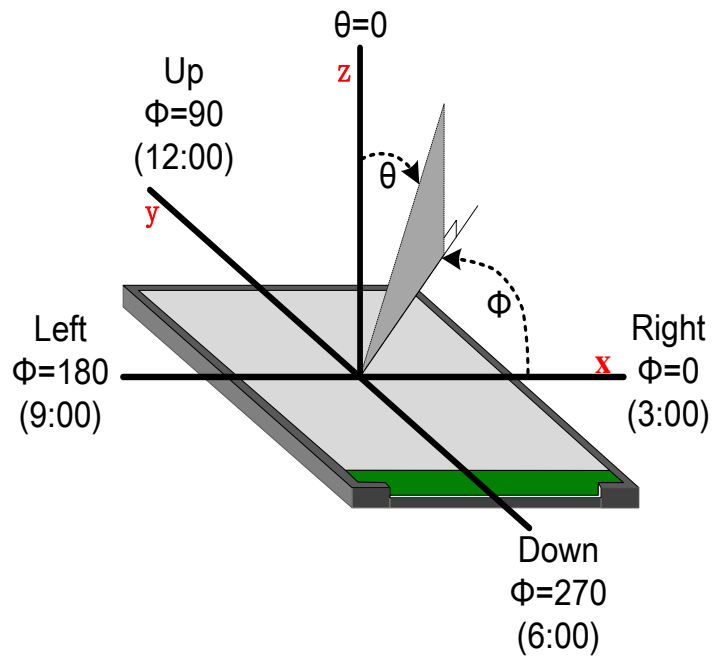


Figure 3. Definition of viewing angle



- INTERFACE DESCRIPTION

Pin	Symbol	I/O	Description	Note
1	T_/INT(YU)	I/O	Cap touch wake up /Interrupt; Resistive touch YU terminal; NC when no touch.	
2	T_NC(XL)	I/O	Resistive touch XU terminal; NC when with cap touch or no touch.	
3	T_/RST(YD)	I/O	Cap touch /Reset pin; Resistive touch YD terminal; NC when no touch.	
4	T_SDA(XR)	I/O	Cap touch I2C data input/output pin; Resistive touch XR terminal; NC when no touch.	
5	T_SCL	I	Cap touch I2C clock input pin; NC when with resistive touch or no touch.	
6	VSS	P	TFT&CTP Ground	
7	/RESET	I	TFT display system reset	
8	NC/DE	I	NC	
9	VSYNC	I	Vertical Synch Input	
10	HSYNC	I	Horizontal Synch Signal	
11	DCLK	I	Display Pixel Clock	
12	VSS	I	TFT&CTP Ground	
13	B7	I	Blue data signal (MSB)	
14	B6	I	Blue data signal	
15	B5	I	Blue data signal	
16	B4	I	Blue data signal	
17	B3	I	Blue data signal	
18	B2	I	Blue data signal	
19	B1	I	Blue data signal	
20	B0	I	Blue data signal (LSB)	
21	VSS	P	TFT&CTP Ground	
22	G7	I	Green data signal (MSB)	
23	G6	I	Green data signal	
24	G5	I	Green data signal	
25	G4	I	Green data signal	
26	G3	I	Green data signal	
27	G2	I	Green data signal	
28	G1	I	Green data signal	
29	G0	I	Green data signal (LSB)	

30	VSS	P	TFT&CTP Ground	
31	R7	I	Red data signal (MSB)	
32	R6	I	Red data signal	
33	R5	I	Red data signal	
34	R4	I	Red data signal	
35	R3	I	Red data signal	
36	R2	I	Red data signal	
37	R1	I	Red data signal	
38	R0	I	Red data signal (LSB)	
39	VSS	P	TFT&CTP Ground	
40	VDD	P	TFT&CTP Power supply, 3.3V	
41	VSS	P	TFT&CTP Ground	
42	VSS	P	TFT&CTP Ground	
43	BL_PWM	I	PWM signal to control backlight diming. 100~200Hz	
44	BL_ON	I	Backlight on/off control pin. H: On ; L: Off	
45	VSS/LED-	P	Backlight Ground which is LED Cathode. R19=0ohm to connect it to TFT&CTP Ground	
46	VSS/LED-	P		
47	VSS/LED-	P		
48	VCC/LED+	P	Backlight supply voltage input, 5V typical	
49	VCC/LED+	P		
50	VCC/LED+	P		

I -Input only; O -Output only; I/O -Input /output; P -Power or Ground.

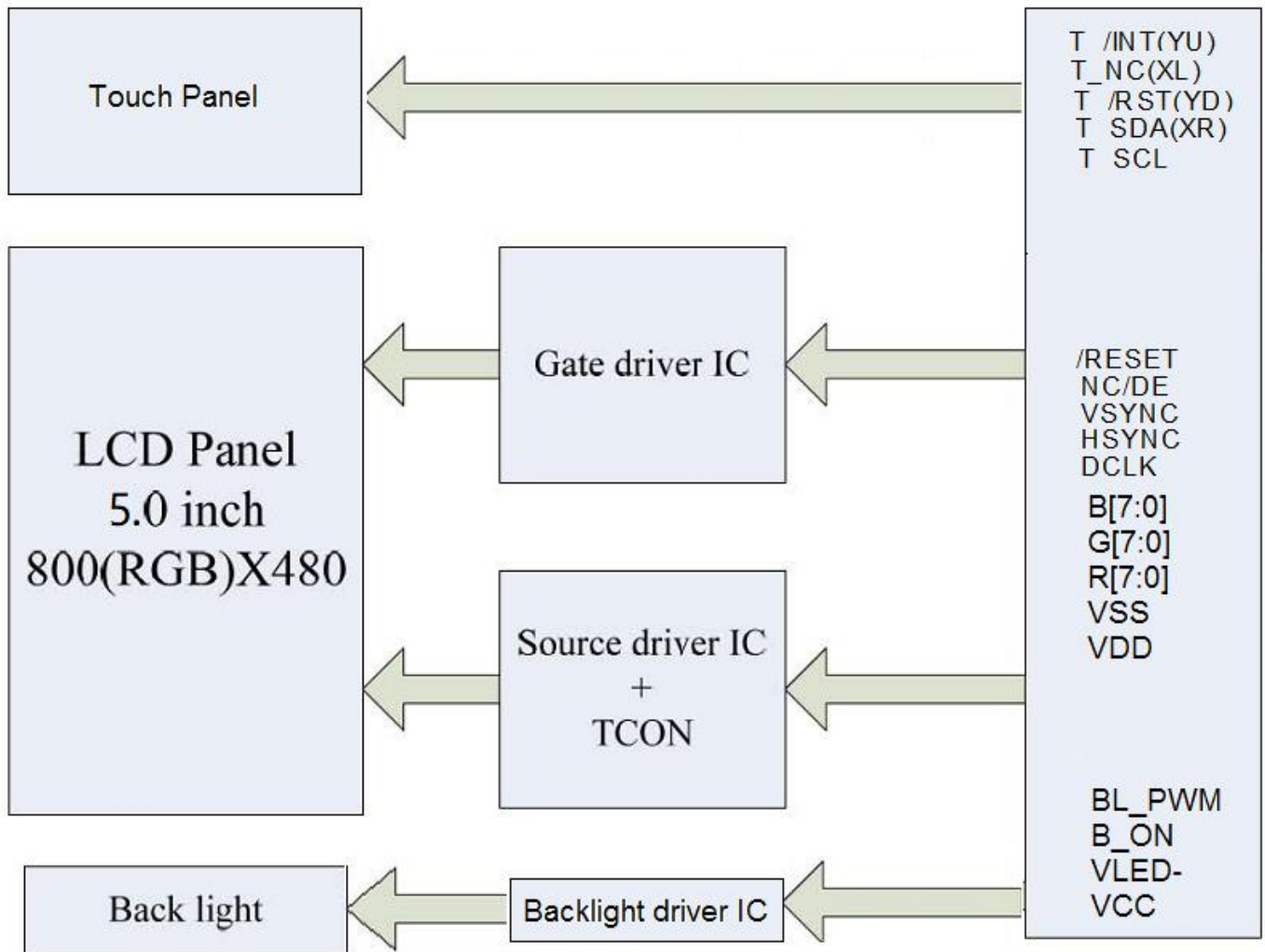
Suggested connection for this connector is 0.5pitch 50pins FFC or FPC.

Note 1: Default setting is SYNC mode. n FPC S2=H, DE mode; S2=L, SYNC mode (default).
In DE mode, HSYNC and VSYNC should connect to GND.TIMING CHART

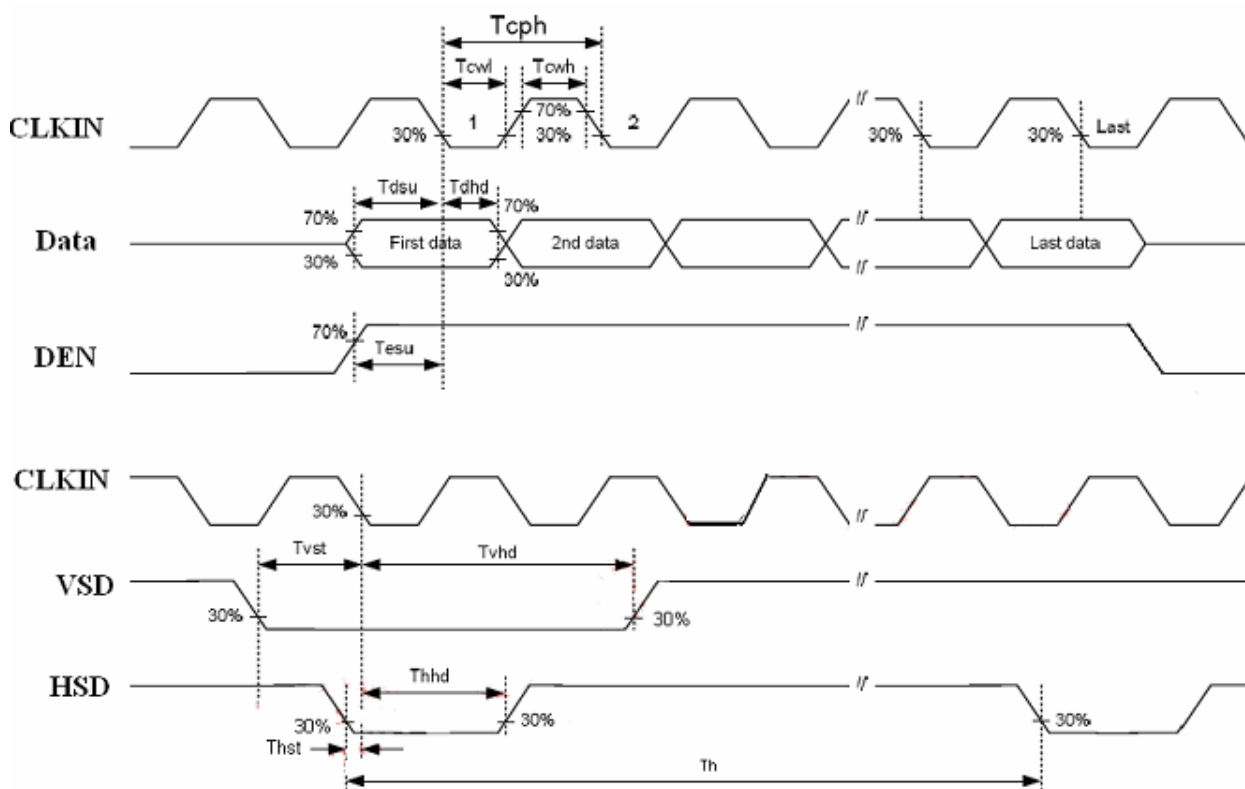
Note 2: When input 18 bits RGB data, the two low bits of R,G and B data must be grounded.

Note 3: Global reset pin, low active. Suggest it connect with an RC reset circuit for stability.
Normally pull high.

Block Diagram



○ Input AC Clock and Data Timing Diagram

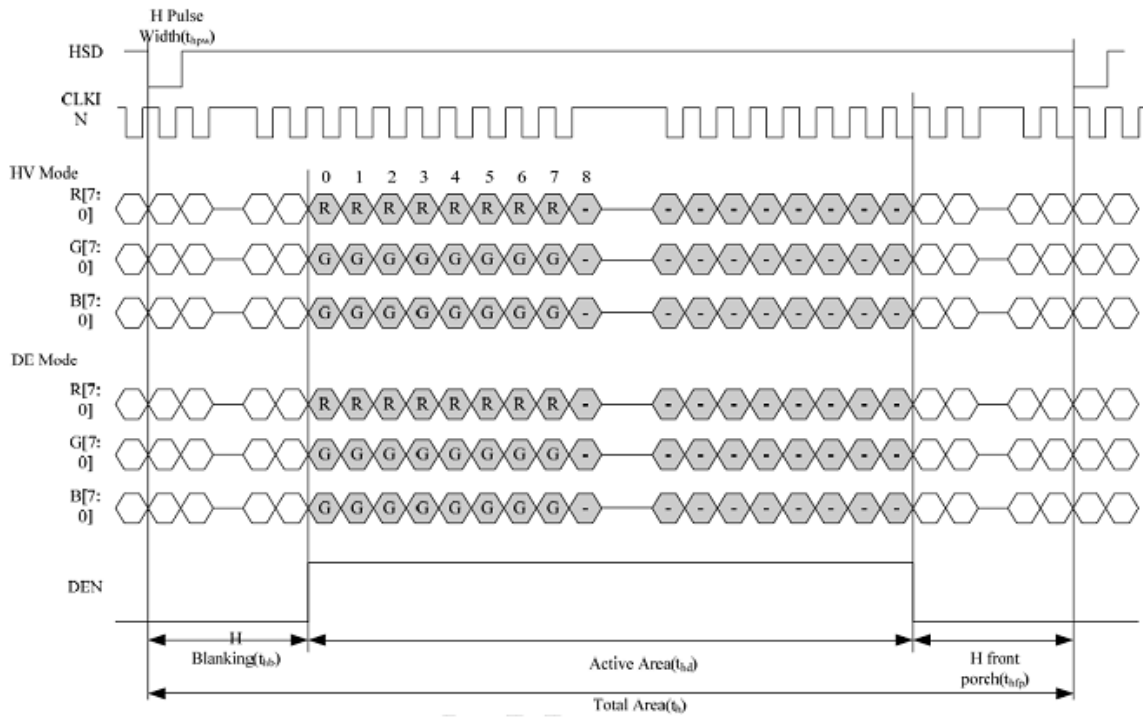


● TIMING PARAMETERS (VDD=3.3V, Ta=25degC)

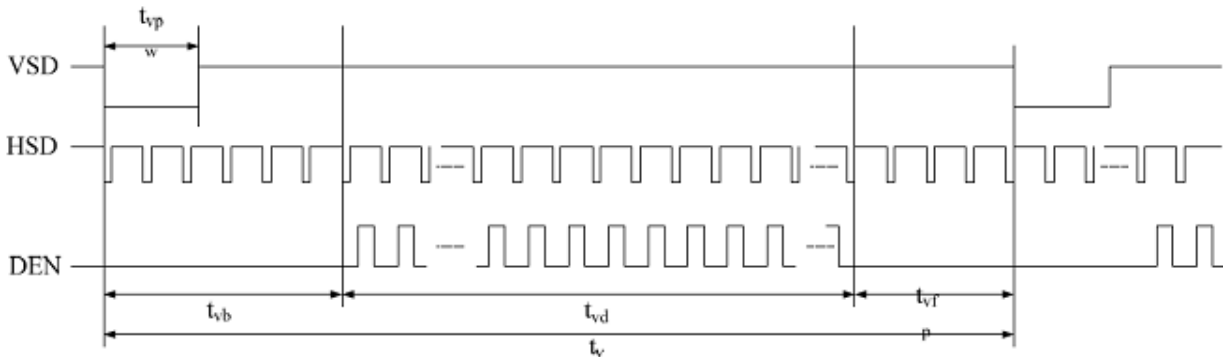
Parameter	Symbol	Min	Typ	Max	Unit	Remark
HSD Setup Time	T_{hst}	8	---	---	ns	
HSD Hold Time	T_{hhd}	8	---	---	ns	
VSD Setup Time	T_{vst}	8	---	---	ns	
VSD Hold Time	T_{vhd}	8	---	---	ns	
Data Setup Time	T_{dsu}	8	---	---	ns	
Data Hold Time	T_{dhd}	8	---	---	ns	
DE Setup Time	T_{esu}	8	---	---	ns	
DE Hold Time	T_{ehd}	8	---	---	ns	
CLKIN Cycle Time	T_{cph}	20	---	---	ns	
CLKIN Pulse Width	T_{cwh}	40	50	60	%	
Output Stable Time	T_{sst}	--	---	6	us	
VDD Power On Slew Rate	T_{por}	---	---	20	ms	
RSTB Pulse Width	T_{rst}	10			us	

- Data Input Format

- Horizontal Input Timing Diagram



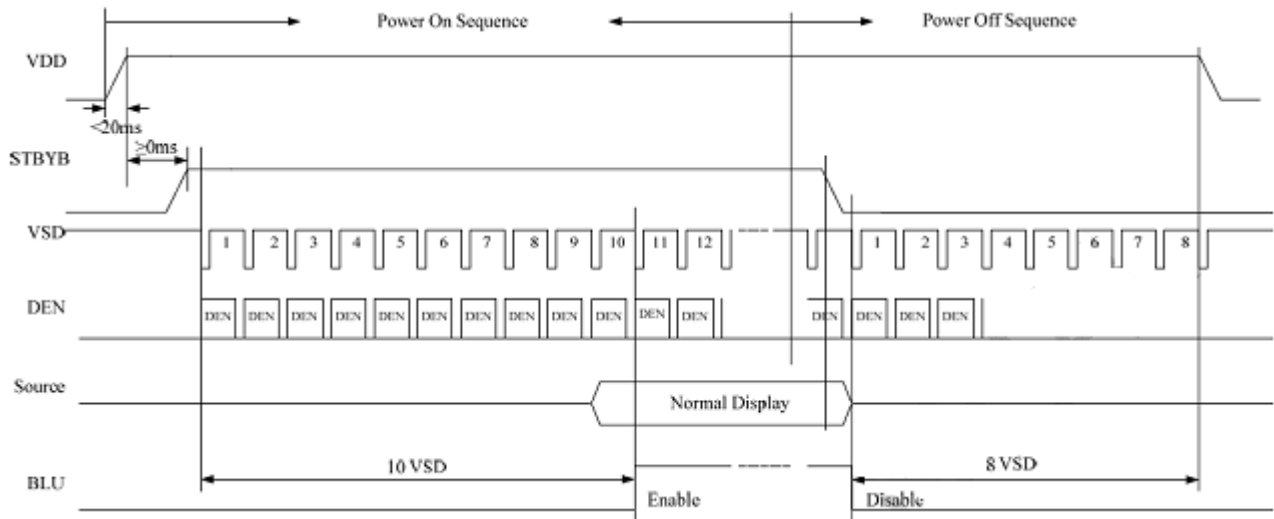
- Vertical Input Timing Diagram



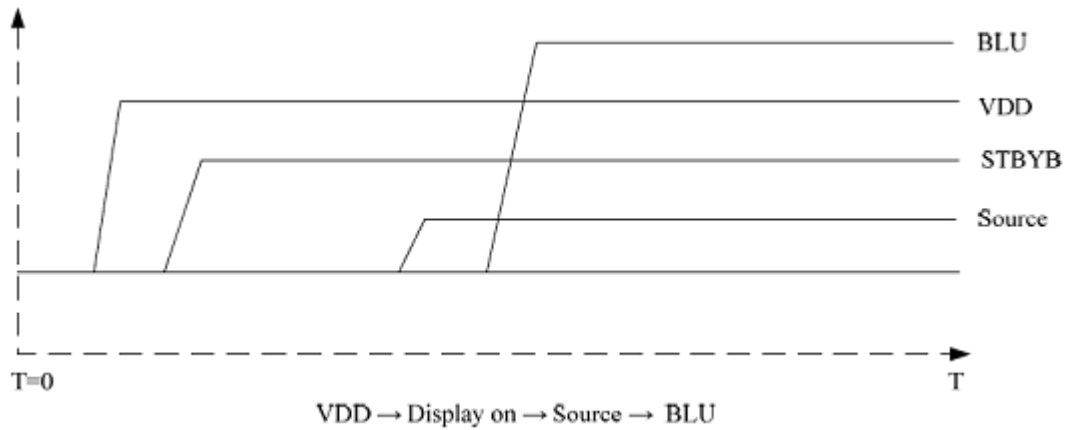
- Parameters for Timing

Parameter	Symbol	Specification			Unit
		Min	Typ	Max	
Horizontal display area	thd	800			CLKIN
CLKIN frequency (60Hz)	fclk		30	50	MHz
One Horizontal Line	Th	889	928	1143	CLKIN
HSD pulse width	thpw	1	48	255	CLKIN
HSD blanking	thb	88			CLKIN
HSD front porch	thfp	1	40	255	CLKIN
Vertical display area	tvd	480			TH
VSD period time	tv	513	525	767	TH
VSD pulse width	tvpw	3	3	255	TH
VSD blanking	tvb	32			TH
VSD front porch	tvfp	1	13	255	TH

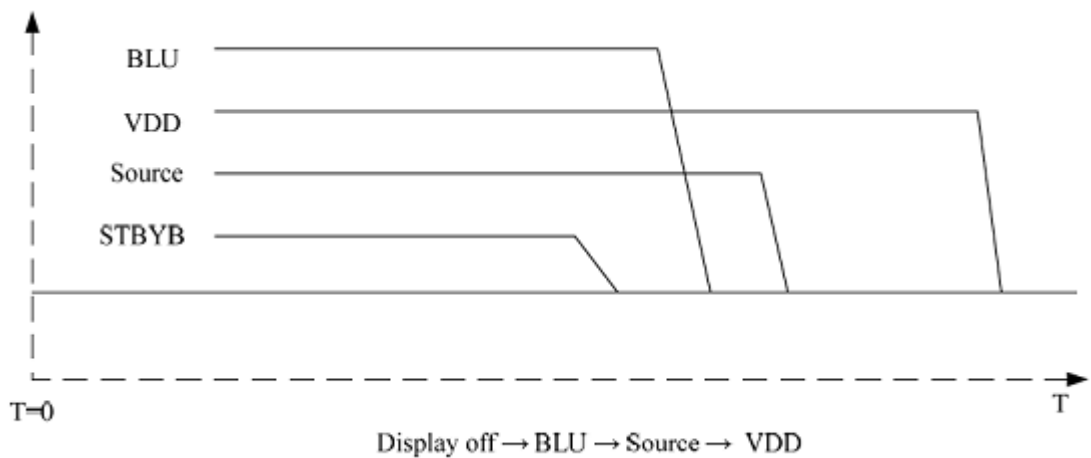
• Power On/Off Sequence



• Power On Sequence



• Power Off Sequence



• TOUCH PANEL CHARACTERISTICS

Electrical Characteristic

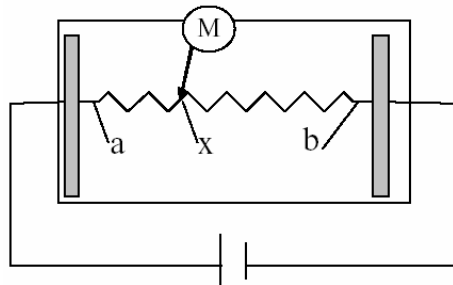
Item	Min.	Typ.	Max.	Unit	Remark	
Linearity	-1.5%	---	1.5%	---	Each axis: X and Y	
Operating Voltage	---	5.0	10.0	V	DC	
Resistance	X axis:	480	---	1100	Ω	Film
	Y axis:	120	---	450	Ω	Glass
Chattering Time	---	---	10.0	ms		
Insulation Resistance	20	---	---	M Ω	@DC \leq 10V	

Notes:

(a) Touch Panel Test Condition:

Typical is 23°C, 65%RH and 1013hPa. General can test the touch panel under 23°C \pm 5°C, 45%-85%RH and 860hPa-1060hPa.

(b) Linearity Definition



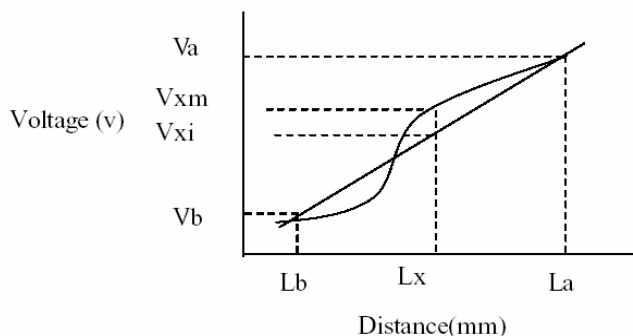
Va: maximum voltage in the active area of touch panel

Vb: minimum voltage in the active area of touch panel

X: random measuring point

Vxm: actual voltage of Lx point

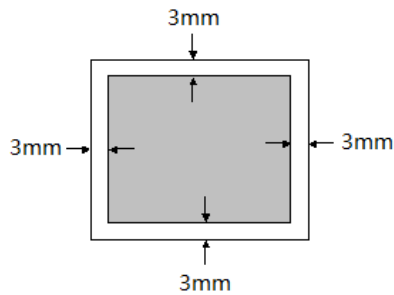
Vxi: theoretical voltage of Lx point



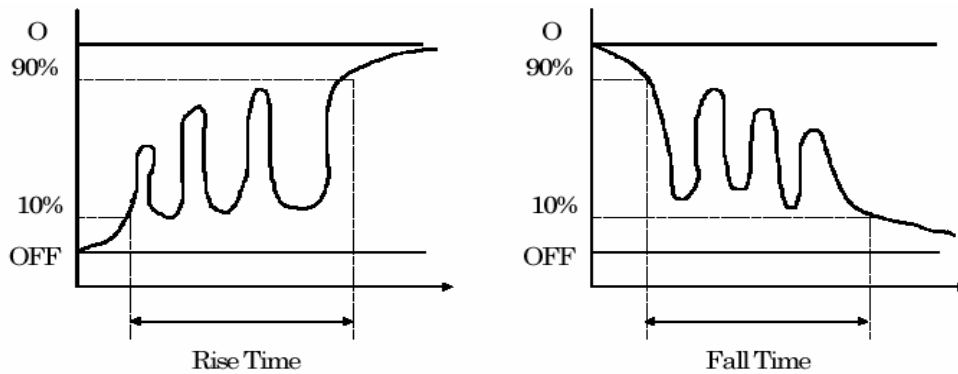
$$\text{Linearity} = [|V_{xi} - V_{xm}| / (V_a - V_b)] * 100\%$$

(c) Test area:

As follows and operation force is 180gf (single layer ITO Film), placental stylus is R0.8mm.



(d) Chattering measure definition (Condition: @ 3.0V, Frequency: 5HZ).



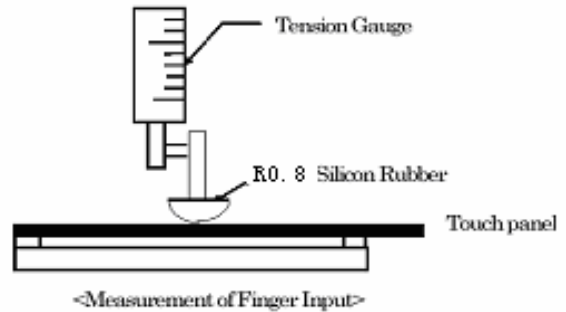
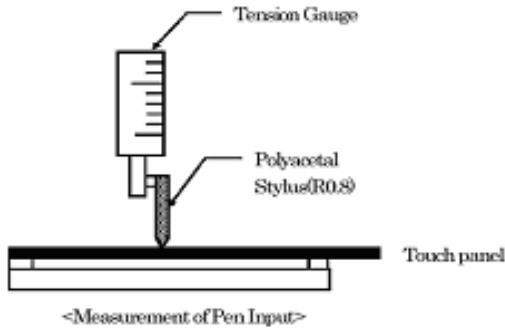
Mechanical Characteristic

Description	Specification	Remark
Activation force	100gf Max.	Test with Silicon pen. Hardness: SHORE A 30° Neb dirmeter ϕ 12mm. Surface radian R12.5 mm
	100gf Max.	Test with Polyacetal pen. Neb dirmeter ϕ 3.0 mm. Surface radian R0.8 mm
FPC Peeling Force	Min. : 600gf	Peeling upward by 90° , 3minutes
	Min. : 500gf	Peeling upward by 180° , 10minutes
Flexible pattern bending resistance	10 times at least.	Bending radius: R1.0 mm Bending times: 10 times

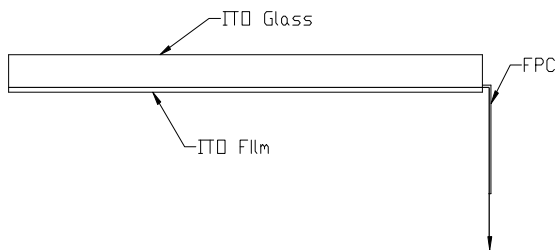
Notes:

(a) Activation force test condition:

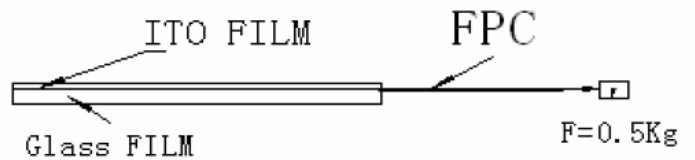
1. Input DC 5V on X direction , Drop off Polyacetal Stylus(R0.8),until output voltage stabilize ,then get the activation force ;
2. R8 Silicon rubber for finger Activation force test ;
3. Test point : 9 points。



(b) Peeling upward by 90°, 500gf 3minutes



Peeling upward by 180°,500gf 10minutes

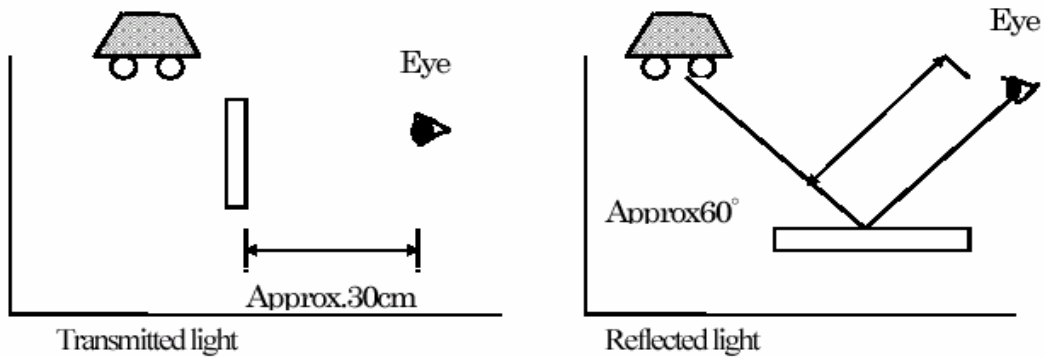


Optical Characteristic

Description	Specification	Remark
Transparency	75% (Min.)	JIS K-7105
Haze	7 % (Max)	JIS K-7105
Newton's Ring	N/A	40W natural color , 30cm distance at least,

Notes:

(a) Newton's Ring test condition:



Durability Test

Under defined terms and condition test, product must be still satisfactory to electrical and mechanical characteristic.

Description	Specification	Remark
Pen sliding Durability	$\geq 50,000$ cycles	End shape:R0.8mm(Stylus) Load force: 250 gf Writing speed: 60 mm/sec Material of Pen: Polyacetal resin Sliding length: 30 mm Sliding location: Screen center Considered a one-way, return will be counted twice.
Hitting Durability	≥ 1 Million times	End shape: R0.8mm Hardness: 60° Load force: 250 gf Frequency: 2 Hz Material of Pen: Silicon rubber