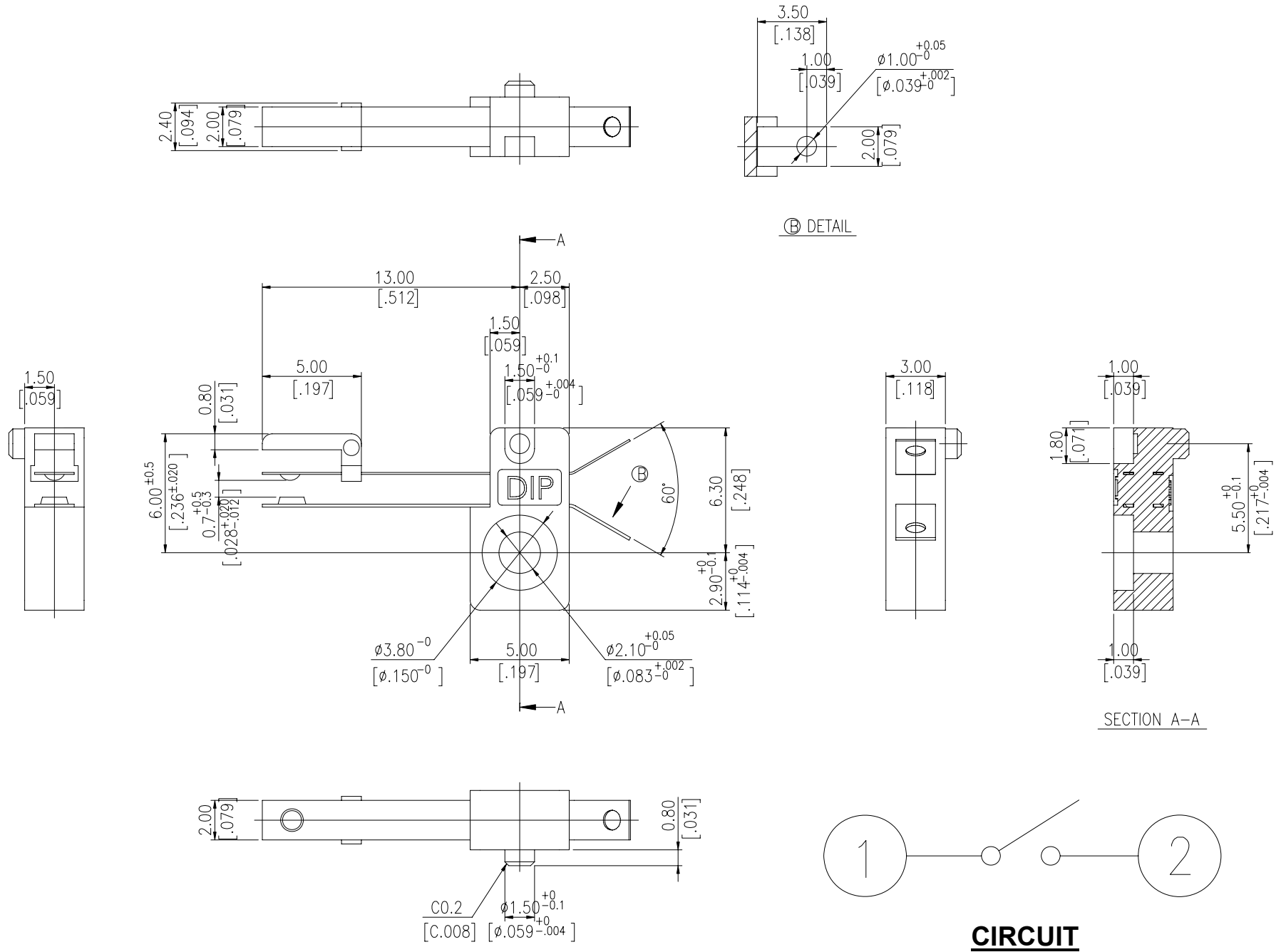


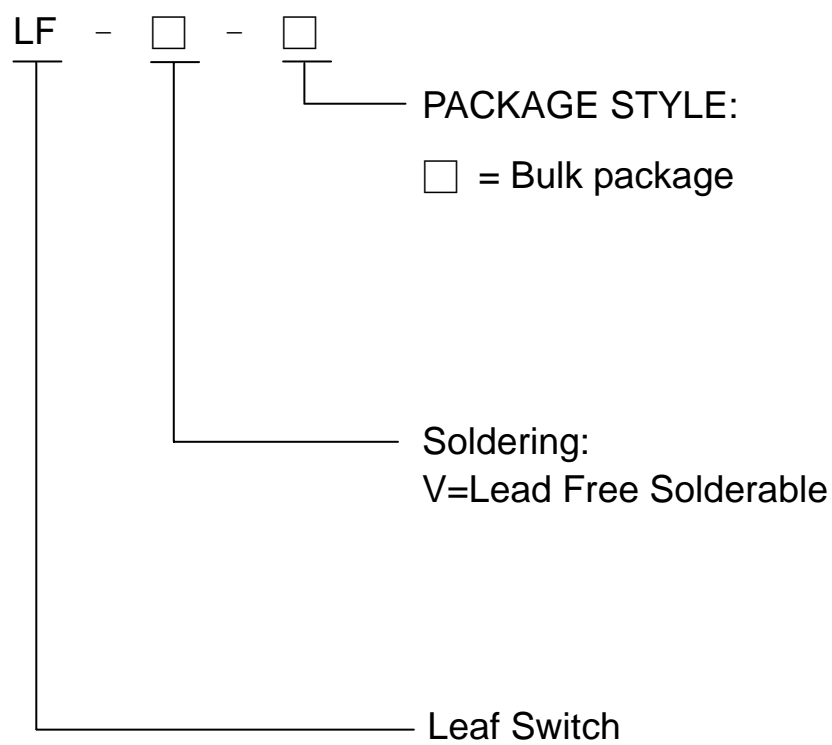
LF SERIES

DIMENSIONS



General Tolerance : $\pm 0.2\text{mm}$

HOW TO ORDER



SPECIFICATION

△MECHANICAL

Operation Force: 100gf max.

Stroke: 1.8~3.0mm

Operation Temperature: -20°C to +60°C

Storage Temperature: -30°C to +80°C

△ELECTRICAL

Electrical Life: 50,000 cycles

Rating: 100mA , 5VDC

Contact Resistance: 60mΩ max.

Insulation Resistance: 50MΩ min. 250VDC

Dielectric Strength: 250VAC / 1 minute

Contact Arrangement: 1 pole 1 throw

MATERIAL

△BASE: UL 94V-0 PBT Thermoplastic

Color: Black

△ACTUATOR: UL 94V-0 PBT Thermoplastic

Color: Black

△Terminal: Copper alloy with silver plating

SOLDERING PROCESS

△HAND SOLDERING: Use a soldering iron of 30 watts, controlled at 350°C approximately max 5 seconds while applying.

PACKING

Part Number	Number Per Bag	
LF	100	