

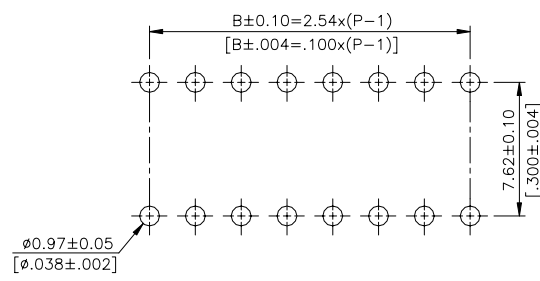
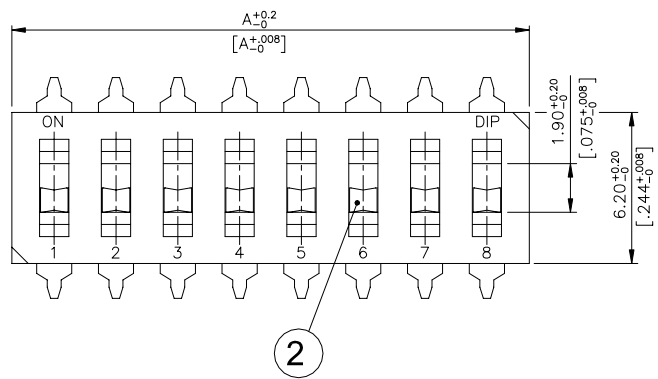


NDI(R),DM(R)&DJ(R) SERIES

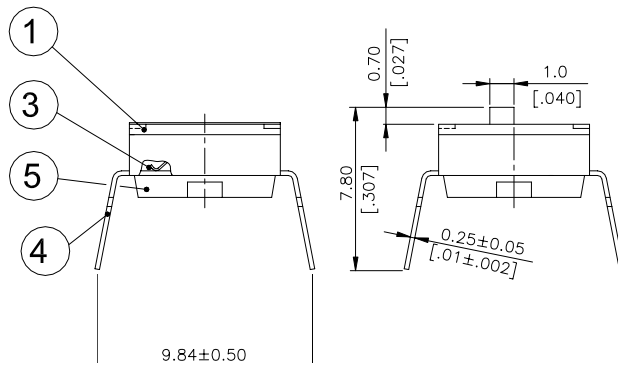
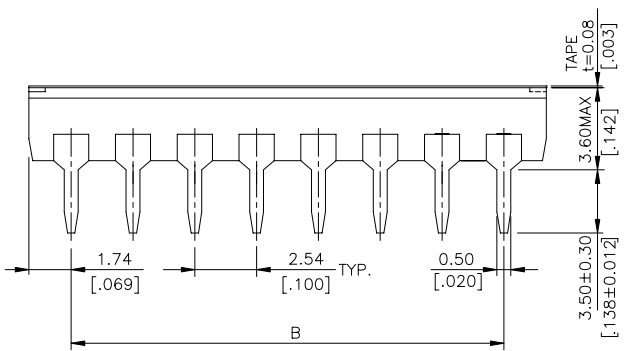


**DIMENSIONS**

**NDI(R)**

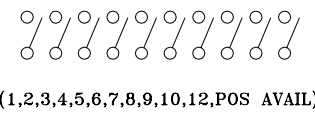


P.C.B. LAYOUT

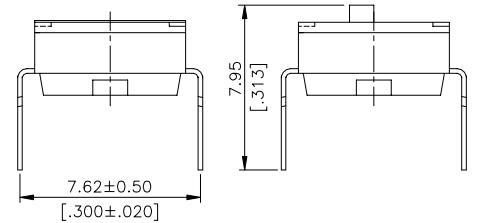


NDI -12(P) NDIR-12(P)	12	31.42[1.237]	27.94[1.100]
NDI -10(P) NDIR-10(P)	10	26.34[1.037]	22.86[.900]
NDI -09(P) NDIR-09(P)	9	23.80[.937]	20.32[.800]
NDI -08(P) NDIR-08(P)	8	21.26[.837]	17.78[.700]
NDI -07(P) NDIR-07(P)	7	18.72[.737]	15.24[.600]
NDI -06(P) NDIR-06(P)	6	16.18[.637]	12.70[.500]
NDI -05(P) NDIR-05(P)	5	13.64[.537]	10.16[.400]
NDI -04(P) NDIR-04(P)	4	11.10[.437]	7.62[.300]
NDI -03(P) NDIR-03(P)	3	8.56[.337]	5.08[.200]
NDI -02(P) NDIR-02(P)	2	6.02[.237]	2.54[.100]
NDI -01(P) NDIR-01(P)	1	3.48[.137]	—
PROD. NO.	NO. OF POS.	DIM. A	DIM. B

SCHEMATIC(TYP.)

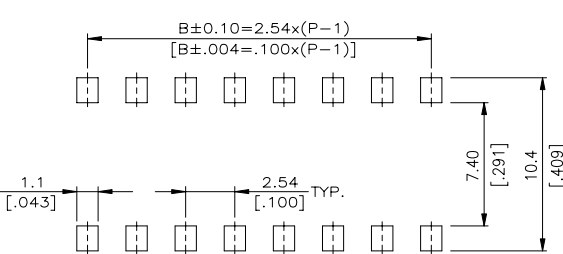
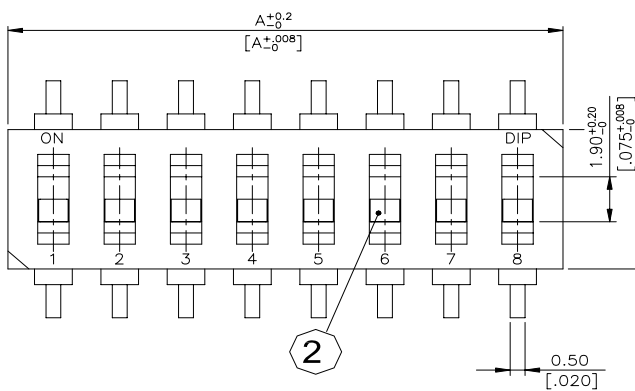


(1,2,3,4,5,6,7,8,9,10,12, POS AVAIL)

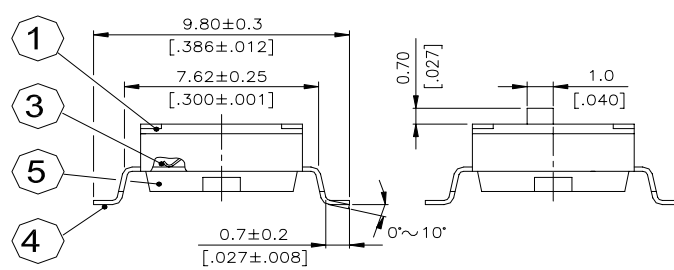
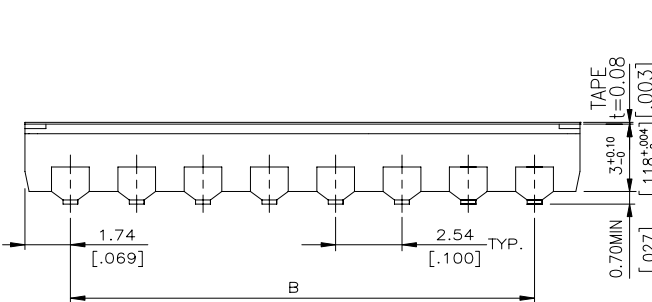


General Tolerance : ±0.2mm

**DM(R)**



P.C.B. LAYOUT

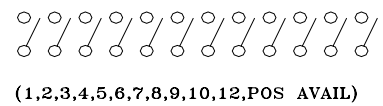


DMR SERIES

DM SERIES

DM -12(A) (P) DMR-12(A) (P)	12	31.42[1.237]	27.94[1.100]
DM -10(A) (P) DMR-10(A) (P)	10	26.34[1.037]	22.86[.900]
DM -09(A) (P) DMR-09(A) (P)	9	23.80[.937]	20.32[.800]
DM -08(A) (P) DMR-08(A) (P)	8	21.26[.837]	17.78[.700]
DM -07(A) (P) DMR-07(A) (P)	7	18.72[.737]	15.24[.600]
DM -06(A) (P) DMR-06(A) (P)	6	16.18[.637]	12.70[.500]
DM -05(A) (P) DMR-05(A) (P)	5	13.64[.537]	10.16[.400]
DM -04(A) (P) DMR-04(A) (P)	4	11.10[.437]	7.62[.300]
DM -03(A) (P) DMR-03(A) (P)	3	8.56[.337]	5.08[.200]
DM -02(A) (P) DMR-02(A) (P)	2	6.02[.237]	2.54[.100]
—	—	—	—
PROD. NO.	NO. OF POS.	DIM. A	DIM. B

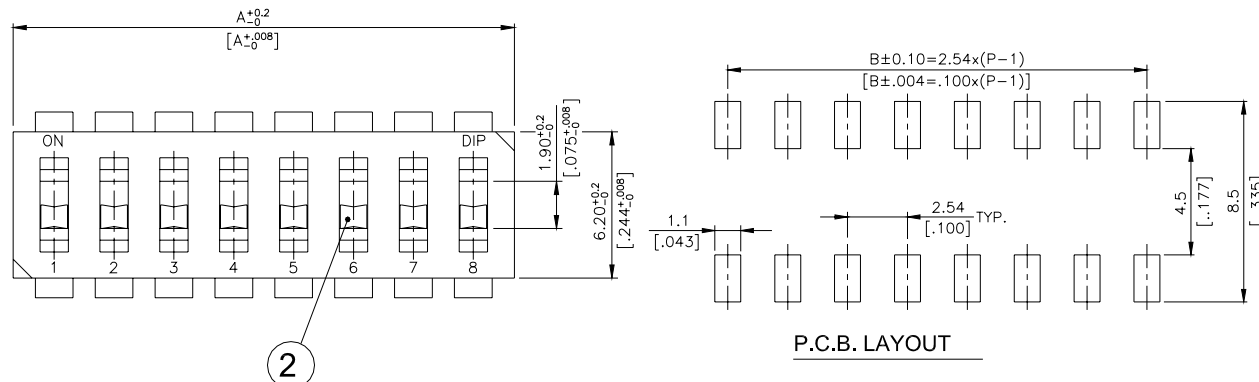
SCHEMATIC(TYP.)



(1,2,3,4,5,6,7,8,9,10,12, POS AVAIL)

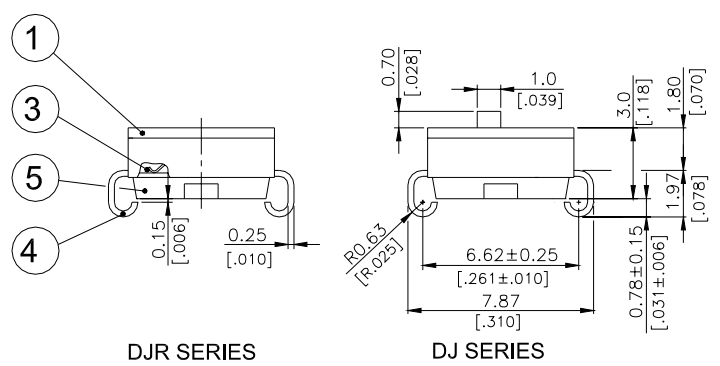
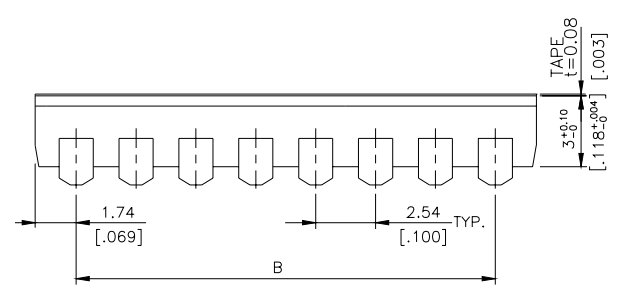
General Tolerance : ±0.2mm

# DJ(R)



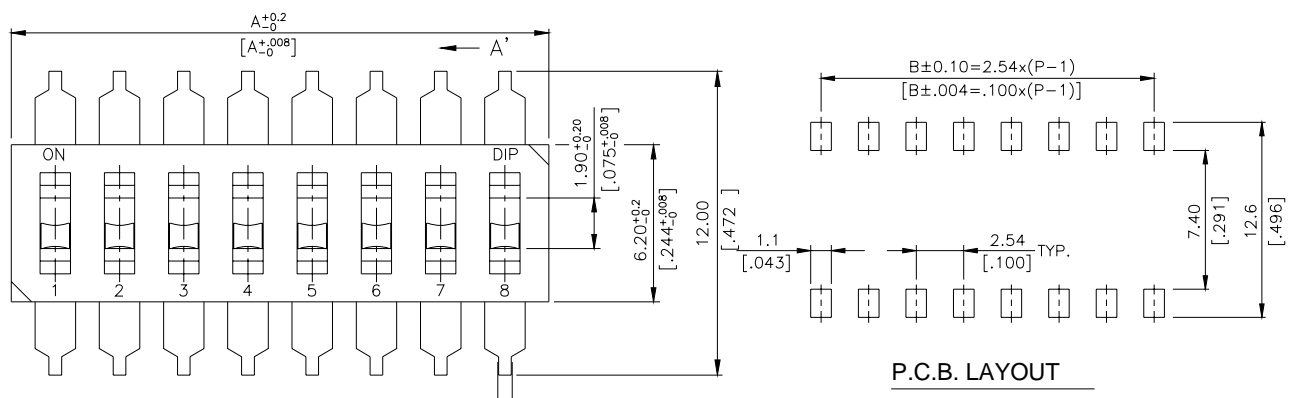
DJ -12 DJR-12	12	31.42[1.237]	27.94[1.100]
DJ -10 DJR-10	10	26.34[1.037]	22.86[.900]
DJ -09 DJR-09	9	23.80[.937]	20.32[.800]
DJ -08 DJR-08	8	21.26[.837]	17.78[.700]
DJ -07 DJR-07	7	18.72[.737]	15.24[.600]
DJ -06 DJR-06	6	16.18[.637]	12.70[.500]
DJ -05 DJR-05	5	13.64[.537]	10.16[.400]
DJ -04 DJR-04	4	11.10[.437]	7.62[.300]
DJ -03 DJR-03	3	8.56[.337]	5.08[.200]
DJ -02 DJR-02	2	6.02[.237]	2.54[.100]

PROD. NO.	NO. OF POS.	DIM. A	DIM. B
SCHEMATIC(TYP.)			
(1,2,3,4,5,6,7,8,9,10,12, POS AVAIL)			



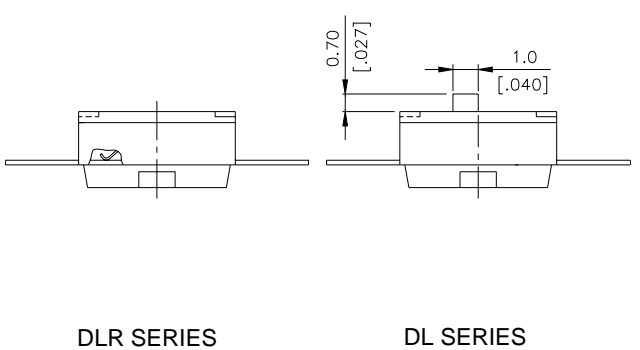
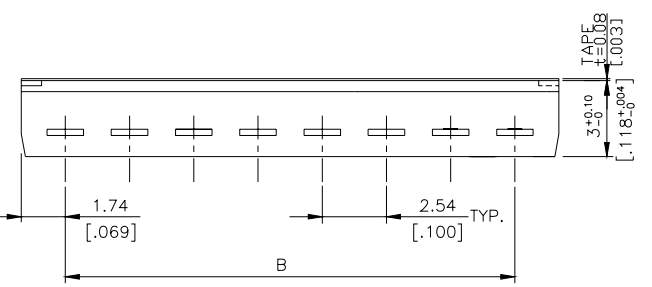
General Tolerance :  $\pm 0.2\text{mm}$

# DL(R)



DL -12(A) (P) DLR-12(A) (P)	12	31.42[1.237]	27.94[1.100]
DL -10(A) (P) DLR-10(A) (P)	10	26.34[1.037]	22.86[.900]
DL -09(A) (P) DLR-09(A) (P)	9	23.80[.937]	20.32[.800]
DL -08(A) (P) DLR-08(A) (P)	8	21.26[.837]	17.78[.700]
DL -07(A) (P) DLR-07(A) (P)	7	18.72[.737]	15.24[.600]
DL -06(A) (P) DLR-06(A) (P)	6	16.18[.637]	12.70[.500]
DL -05(A) (P) DLR-05(A) (P)	5	13.64[.537]	10.16[.400]
DL -04(A) (P) DLR-04(A) (P)	4	11.10[.437]	7.62[.300]
DL -03(A) (P) DLR-03(A) (P)	3	8.56[.337]	5.08[.200]
DL -02(A) (P) DLR-02(A) (P)	2	6.02[.237]	2.54[.100]
DL -01(A) (P) DLR-01(A) (P)	2	3.48[.137]	

PROD. NO.	NO. OF POS.	DIM. A	DIM. B
SCHEMATIC(TYP.)			
(1,2,3,4,5,6,7,8,9,10,12, POS AVAIL)			



General Tolerance :  $\pm 0.2\text{mm}$

## HOW TO ORDER

-   -  -  -

### Package Style:

= Tube

T/R= Tape & Reel

### Soldering:

V = Lead Free Solderable

### Seal:

= Regular

T = Top Tape Seated <Recessed Actuator Only>

### Shape of Terminal:

= Regular

S = Splay Terminal

H = Straight Terminal

### Number Of Positions:

01 = 1 Position

02 = 2 Position

03 = 3 Position

04 = 4 Position

05 = 5 Position

06 = 6 Position

07 = 7 Position

08 = 8 Position

09 = 9 Position

10 = 10 Position

12 = 12 Position

### Actuator Type:

= Raised Actuator

R = Recessed Actuator

NDI = Machine Insertable Type Dip Switch

DM = Gull Wing Terminal S.M.T

DJ = J Bend Terminal S.M.T

DL = Flat Terminal S.M.T

..

## SPECIFICATION

### △MECHANICAL

Mechanical Life: 2,000 operations per switch.

Operation Force: 1,000gf max.

Stroke: 1.0 mm

Operation Temp: -20°C to +85°C

Storage Temperature: -40°C to +85°C

### △ELECTRICAL

Electrical Life: 2,000 operations min. per switch 24VDC, 25mA

Non-switching Rating: 100mA, 50VDC

Switching Rating: 25mA, 24VDC

Contact resistance: (a) 50mΩ max. at initial  
(b) 100mΩ max. after life test

Insulation Resistance: 100MΩ min. 500VDC

Dielectric Strength: 500VAC/ minute

Capacitance: 5pF max.

Circuit: Single pole single throw.

## MATERIAL

△BASE & COVER: UL94V-0 PPS High-Temp.  
Thermoplastic, Color: Black

△ACTUATOR: UL94V-0 Nylon Thermoplastic (NDI)  
UL94V-0 Nylon High-Temp Thermoplastic  
(V-option only for DM(R) 、DL(R) 、DJ(R))  
Color: White

△CONTACT: Alloy Copper with gold plated

△TERMINAL: Brass with gold plated

▲CONTACT PLATING: Gold plated over nickel.

▲TERMINAL PLATING: Gold plated

△TAPE : KAPTON

# SOLDERING PROCESSES

For best results, please follow these recommendation:

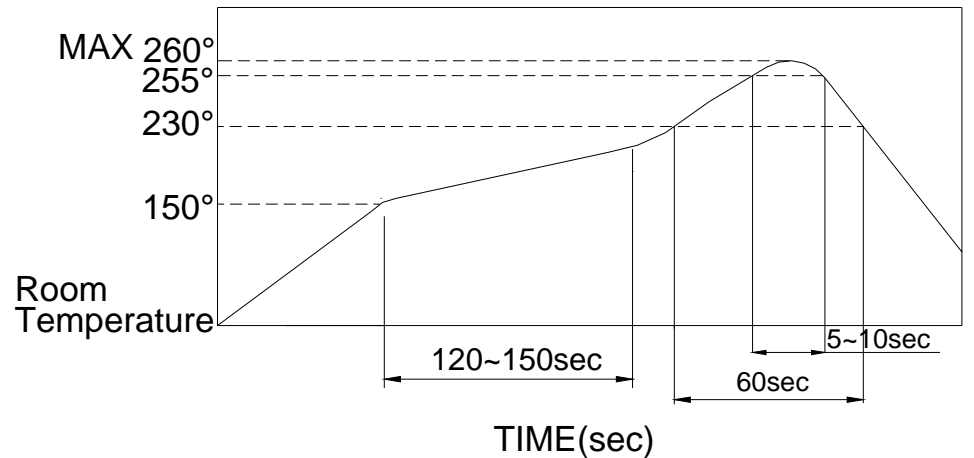
△WAVE SOLDERING: Recommended solder temperature △Reflow Temperature Profile:  
at 500°F(260°C) max. of 5 seconds for through hole  
type.

△HAND SOLDERING : Use a soldering iron of 30 watts,  
controlled at 350°C approximately 5 seconds.

△REFLOW SOLDERING: When applying reflow soldering,  
the peak temperature or the reflow Oven should be set  
at 260°C max.

△Any flux enters the switch may fail the conductivity.

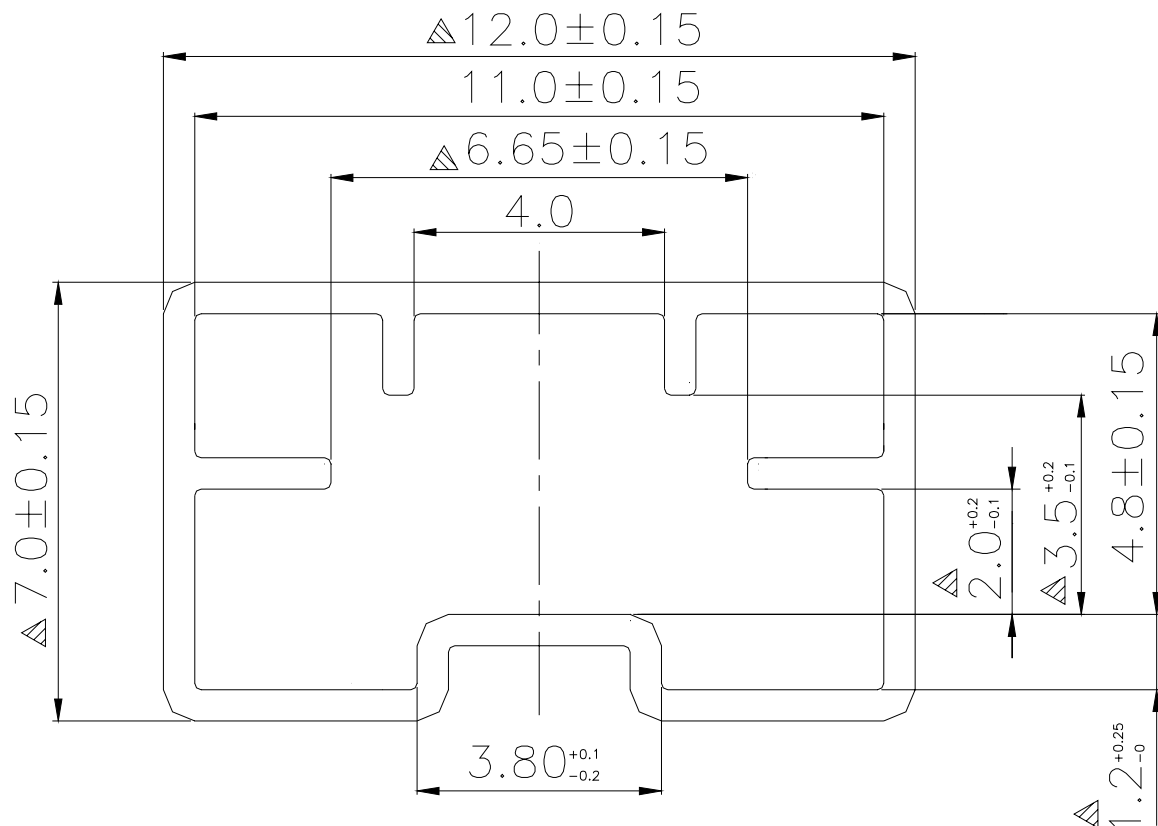
△Do not clean the switch body except top tape sealed  
type, which only suitable for spray cleaning method  
from top of the s/w.



Part Number	Number Per Tube	Part Number	Number Per Reel	Part Number	Number Per Tube	Part Number	Number Per Reel
DM(R)-01	130	DMR-01-T/R	800	NDI-01(-T)	130	DM-01-T/R	800
DM(R)-02(-T)	76	DMR-02-T-T/R	900	NDI-02(-T)	76	DM-02-T/R	700
DM(R)-03(-T)	55	DMR-03-T-T/R	900	NDI-03(-T)	55	DM-03-T/R	700
DM(R)-04(-T)	42	DMR-04-T-T/R	900	NDI-04(-T)	42	DM-04-T/R	700
DM(R)-05(-T)	35	DMR-05-T-T/R	900	NDI-05(-T)	34	DM-05-T/R	800
DM(R)-06(-T)	28	DMR-06-T-T/R	900	NDI-06(-T)	29	DM-06-T/R	700
DM(R)-07(-T)	25	DMR-07-T-T/R	900	NDI-07(-T)	25	DM-07-T/R	800
DM(R)-08(-T)	22	DMR-08-T-T/R	900	NDI-08(-T)	22	DM-08-T/R	700
DM(R)-09(-T)	20	DMR-09-T-T/R	900	NDI-09(-T)	20	DM-10-T/R	800
DM(R)-10(-T)	18	DMR-10-T-T/R	900	NDI-10(-T)	18	DM-12-T/R	700
DM(R)-12(-T)	15	DMR-12-T-T/R	900	NDI-12(-T)	15		
						DJR-□□-T-T/R	1000

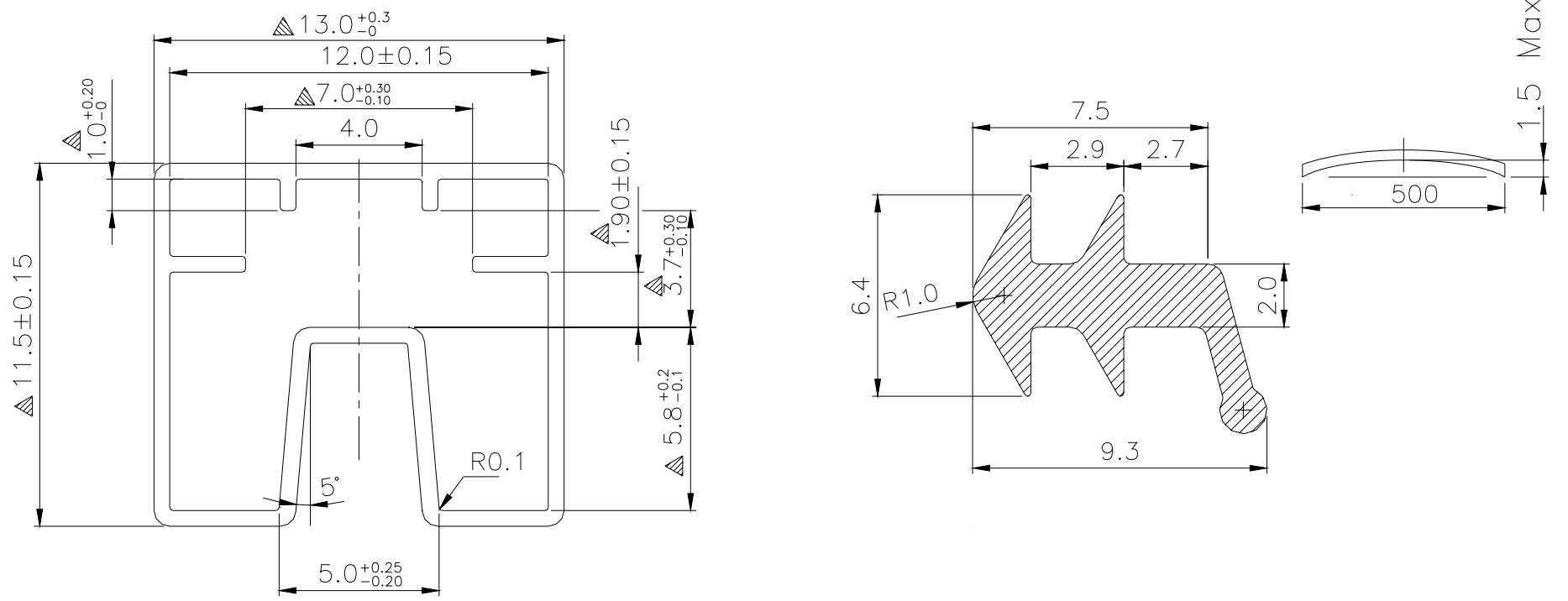
## PACKING

DM(R) 、DJ(R) TUBE



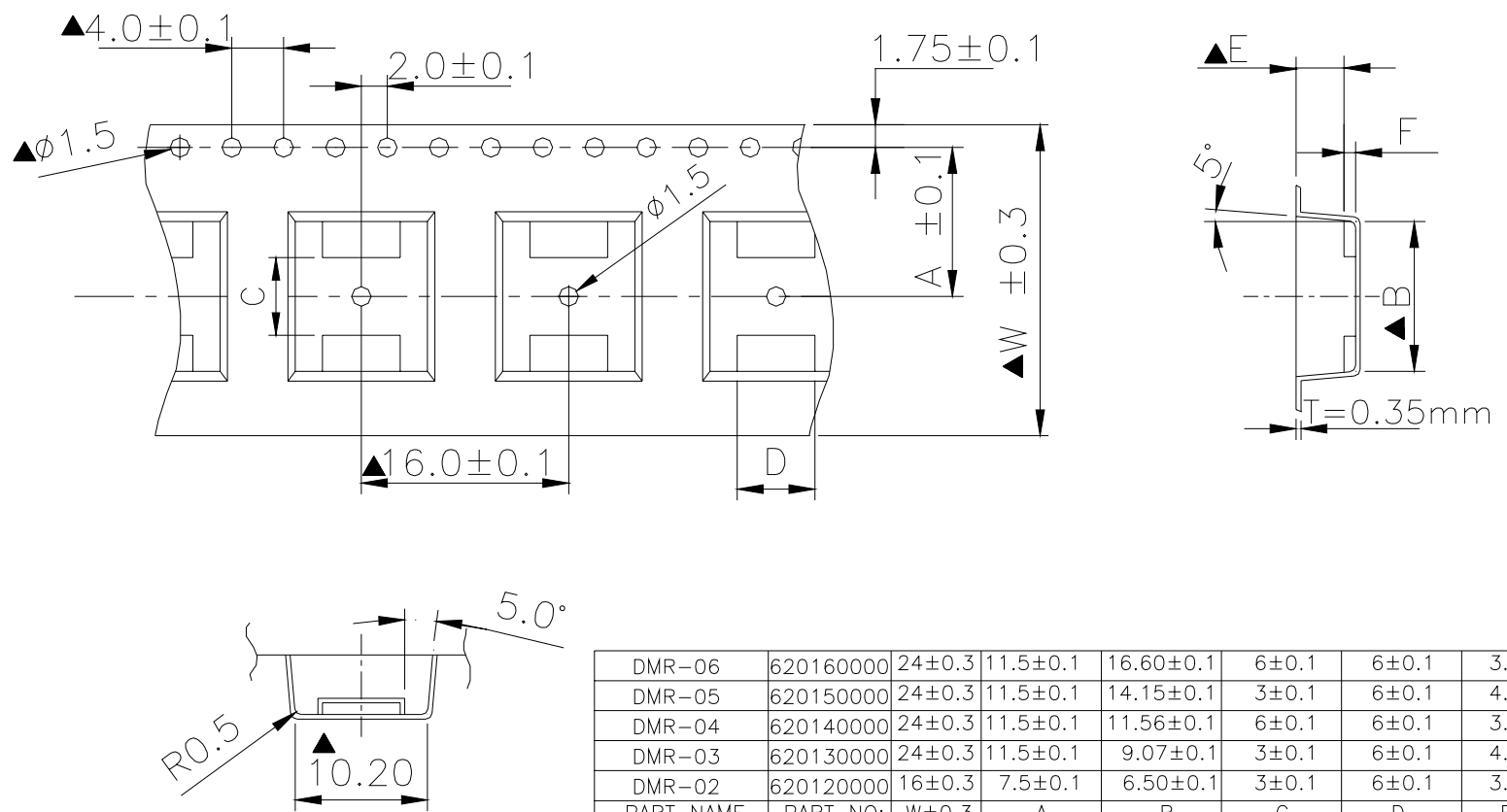
General Tolerance : ±0.2mm

**NDI(R) TUBE**



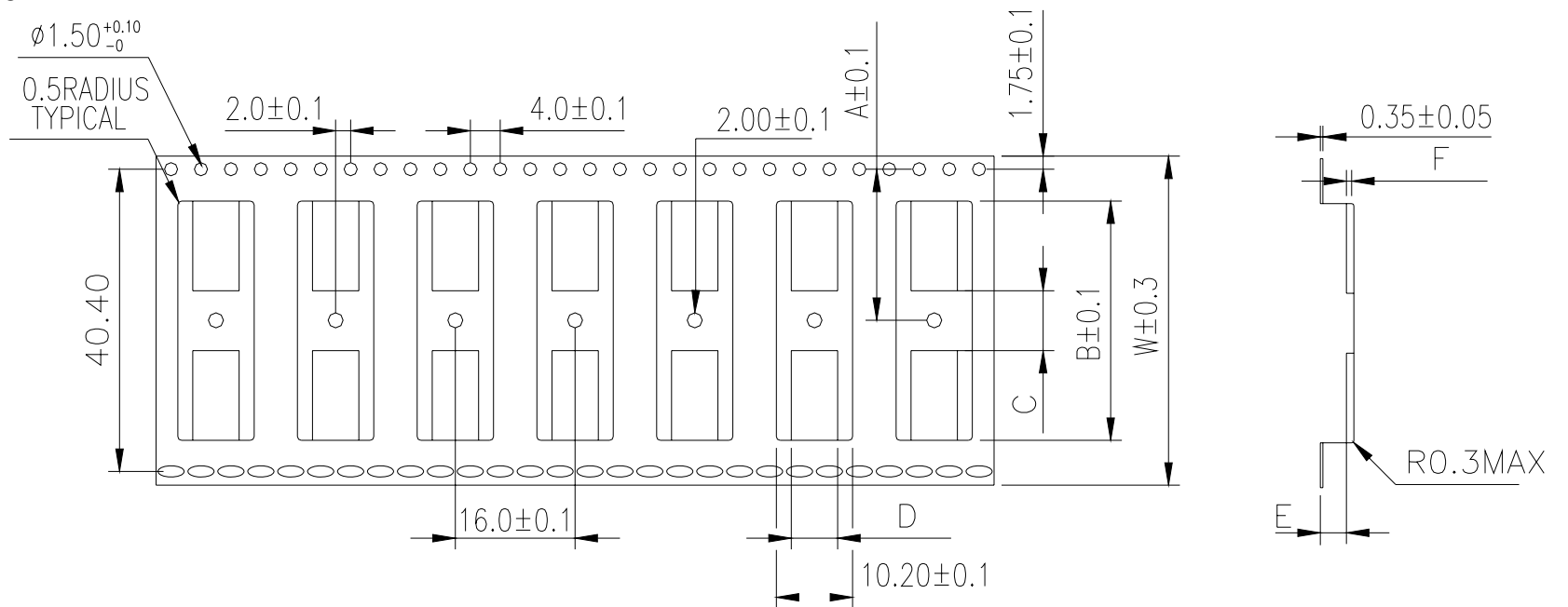
General Tolerance : ±0.20mm

**DMR-02~06 REEL**



General Tolerance : ±0.2mm

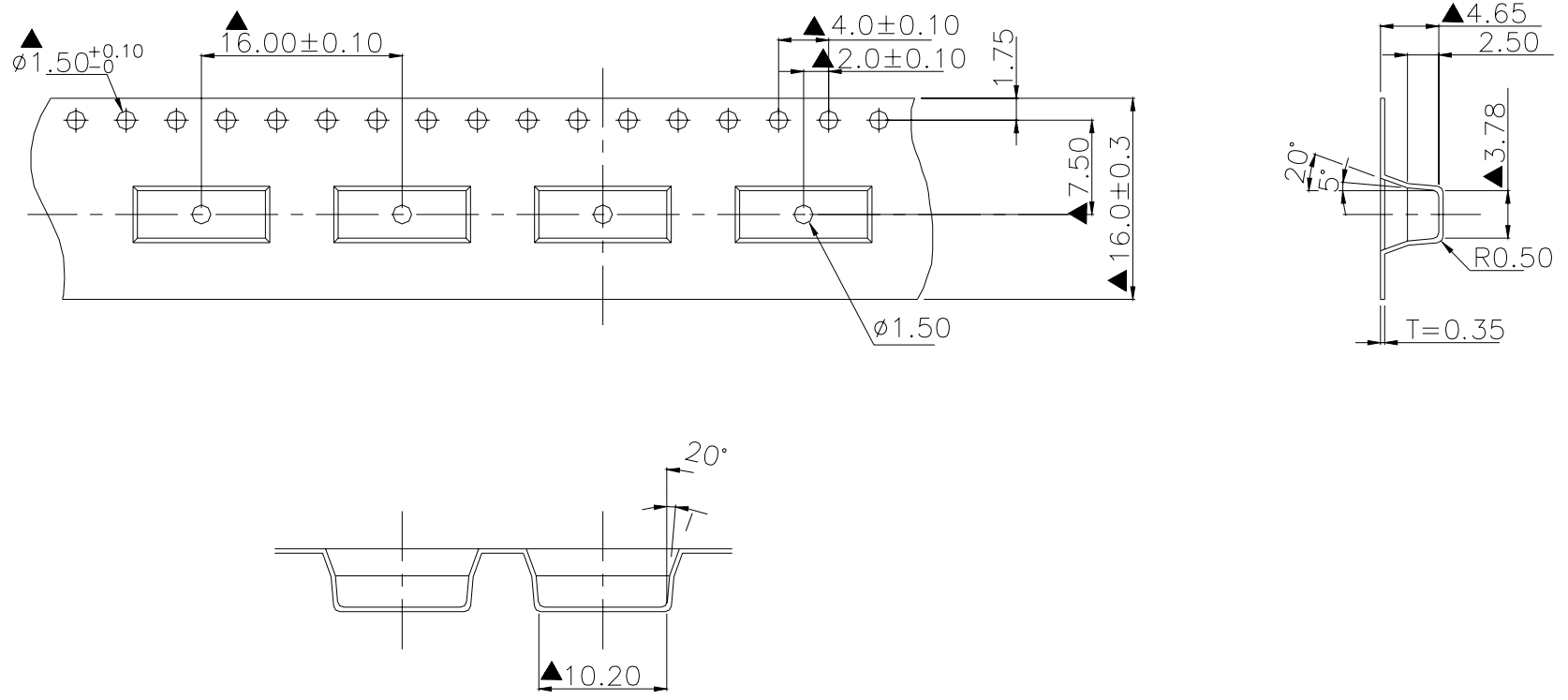
**DMR-07.08.09.10.12 REEL**



DMR-12	61120000	44.00	20.20	32.00	8.00	6.20	3.45	1.0
DMR-10	61026000	44.00	20.20	26.80	5.00	6.00	4.5	0.4
DMR-09	61025000	44.00	20.20	24.26	5.00	6.00	4.5	0.4
DMR-08	61034000	32.00	14.20	21.70	6.00	6.00	3.5	0.9
DMR-07	61024000	32.00	14.20	19.20	5.00	6.00	4.5	0.4
PART NAME	PART NO.	W±0.3	A	B	C	D	E	F

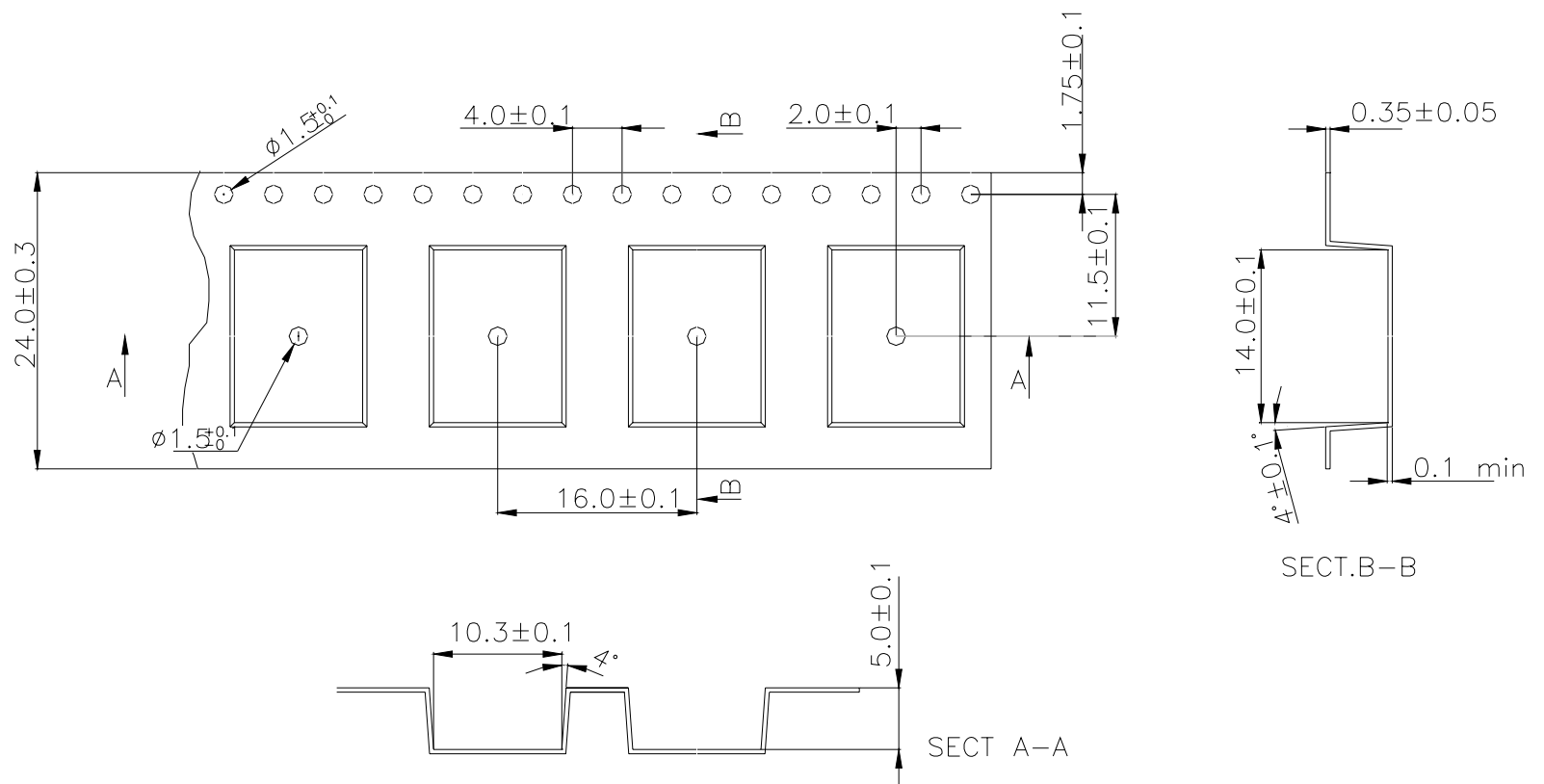
General Tolerance : ±0.2mm

**DM(R)-01**



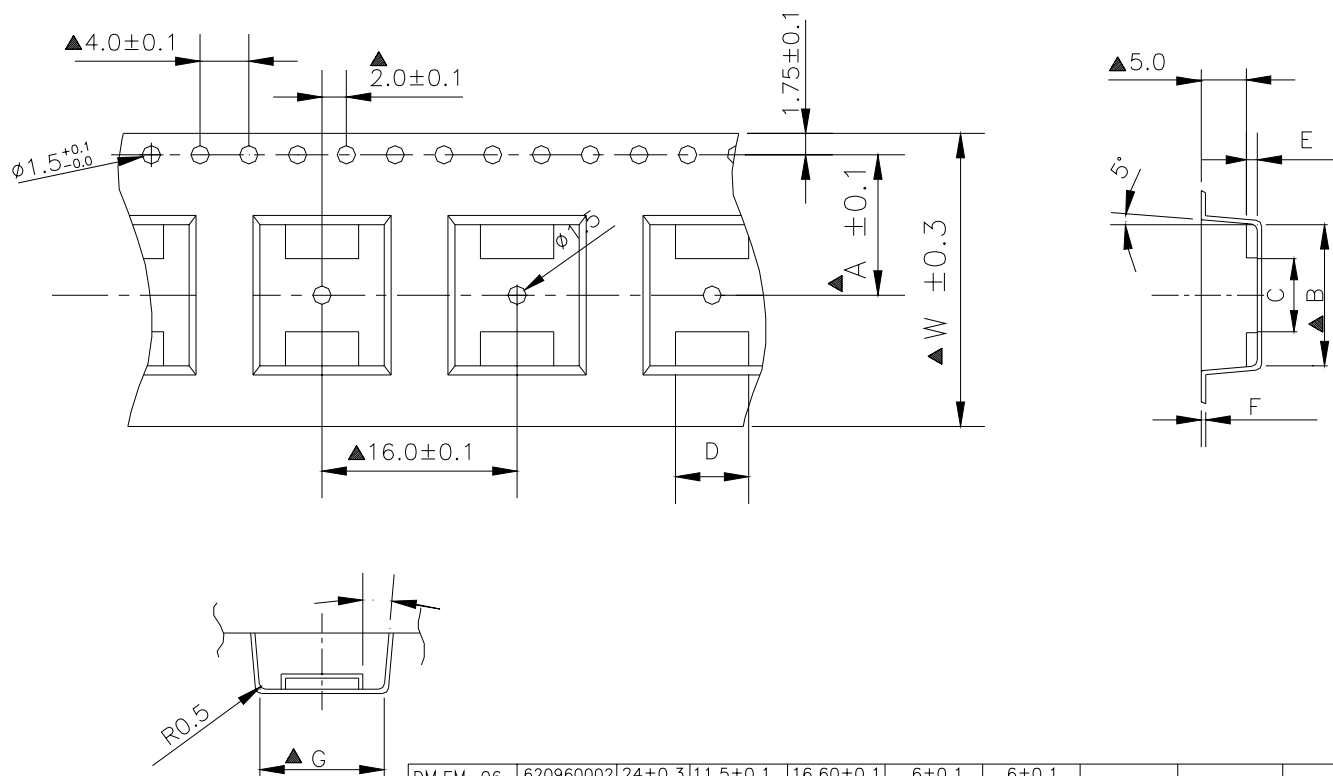
**General Tolerance :  $\pm 0.1$ mm**

**DM-05 REEL**



**General Tolerance :  $\pm 0.1$ mm**

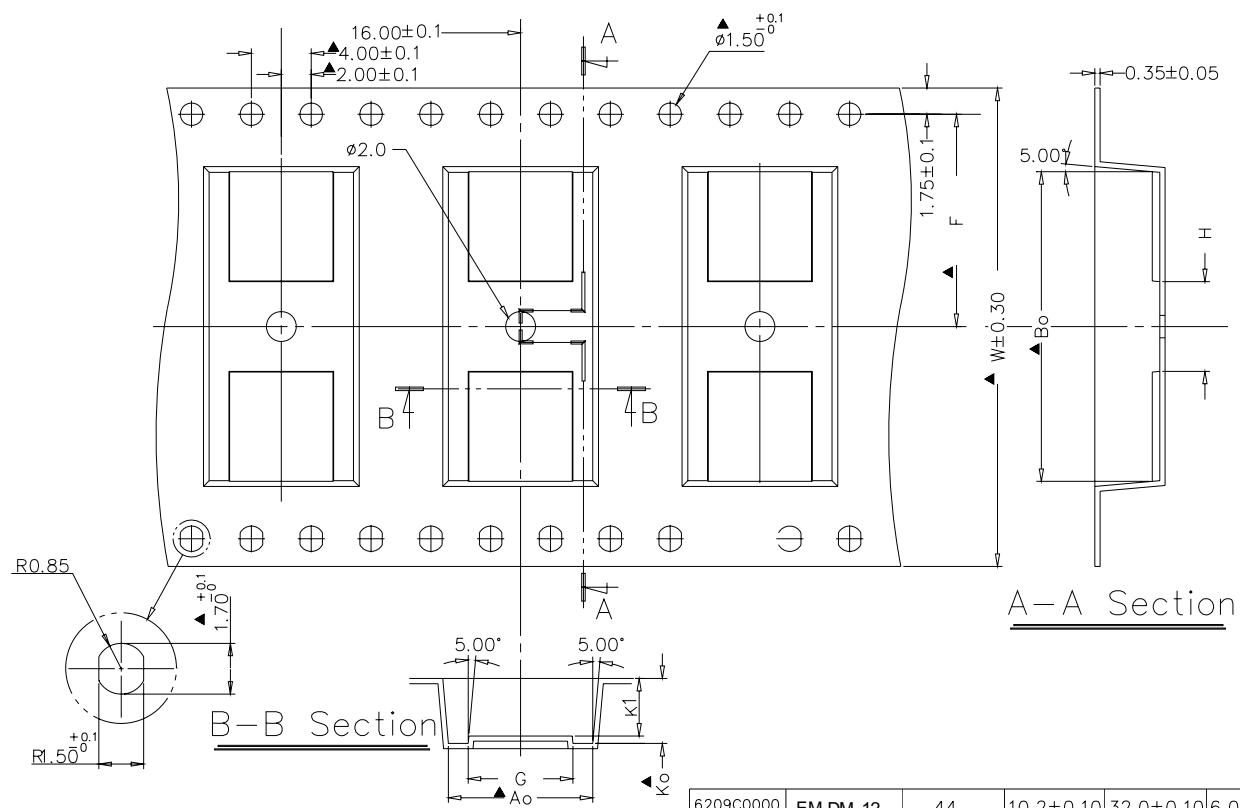
**DM-02.03.04.06 REEL**



DM.EM-06	620960002	24±0.3	11.5±0.1	16.60±0.1	6±0.1	6±0.1	0.9	T=0.35mm	10.2±0.1
DM.EM-04	620940000	24±0.3	11.5±0.1	11.56±0.1	6±0.1	6±0.1			
DM.EM-03	620930000	16±0.3	7.5±0.1	8.9±0.1	2.5±0.1	6.5±0.1			
DM.EM-02	620920000	16±0.3	7.5±0.1	6.4±0.1	3±0.1	6±0.1		T=0.4mm	
PART NAME	PART NO:	W±0.3	A	B	C	D	E	F	G

**General Tolerance :  $\pm 0.1$ mm**

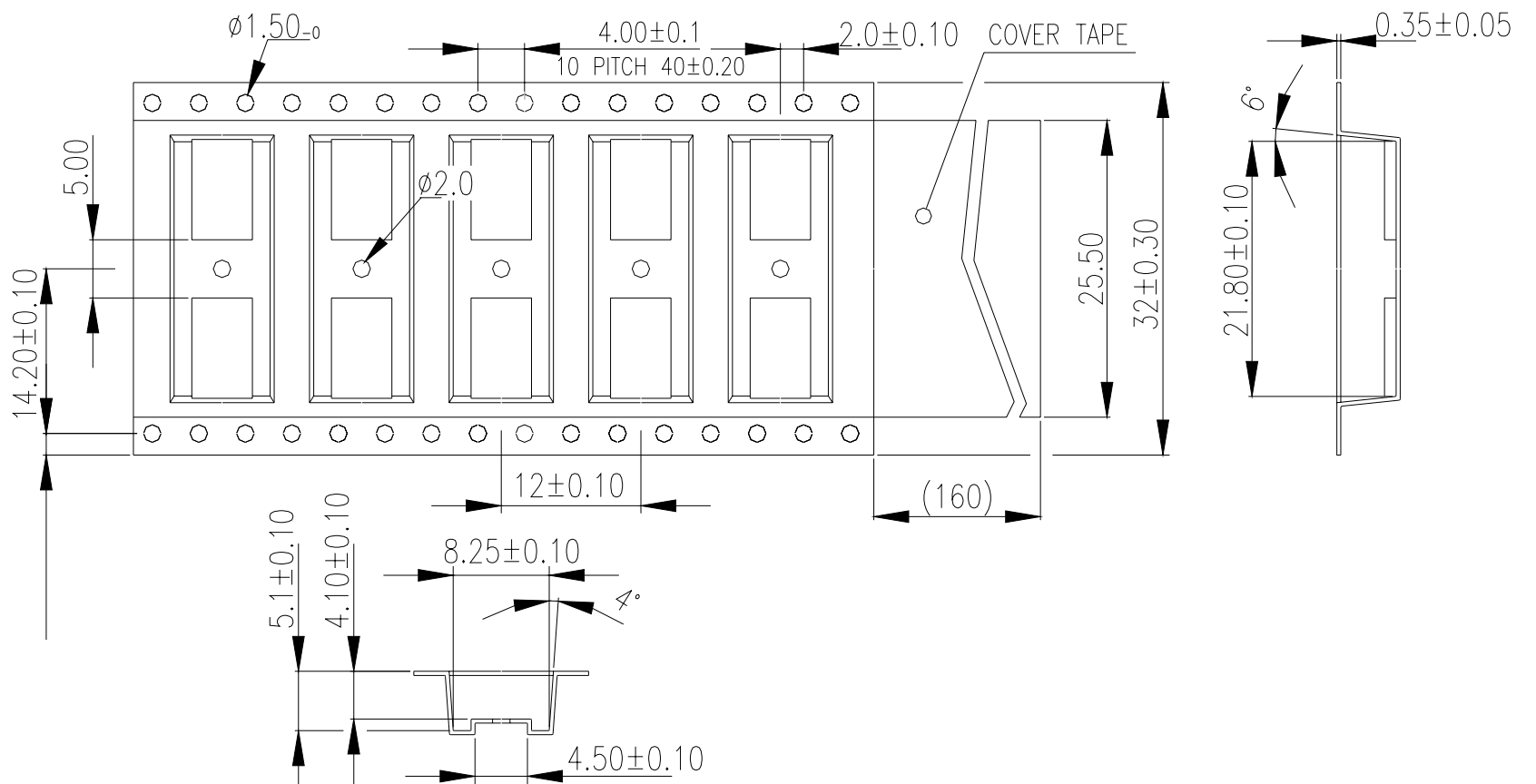
DM-07.08.12 REEL



6209C0000	EM.DM-12	44	10.2±0.10	32.0±0.10	6.0±0.10	5.0±0.10	20.2±0.10	6.0	6.0
620980000	EM.DM-08	32	10.1±0.10	21.5±0.10	5.9±0.10		14.2±0.10		
620970000	EM.DM-07	32	10.1±0.10	19.17±0.10	5.0±0.10	4.0±0.10	14.2±0.10	6.5	5.0
PART NO	PART NAME	W±0.3mm	A0	B0	K0	K1	F	G	H

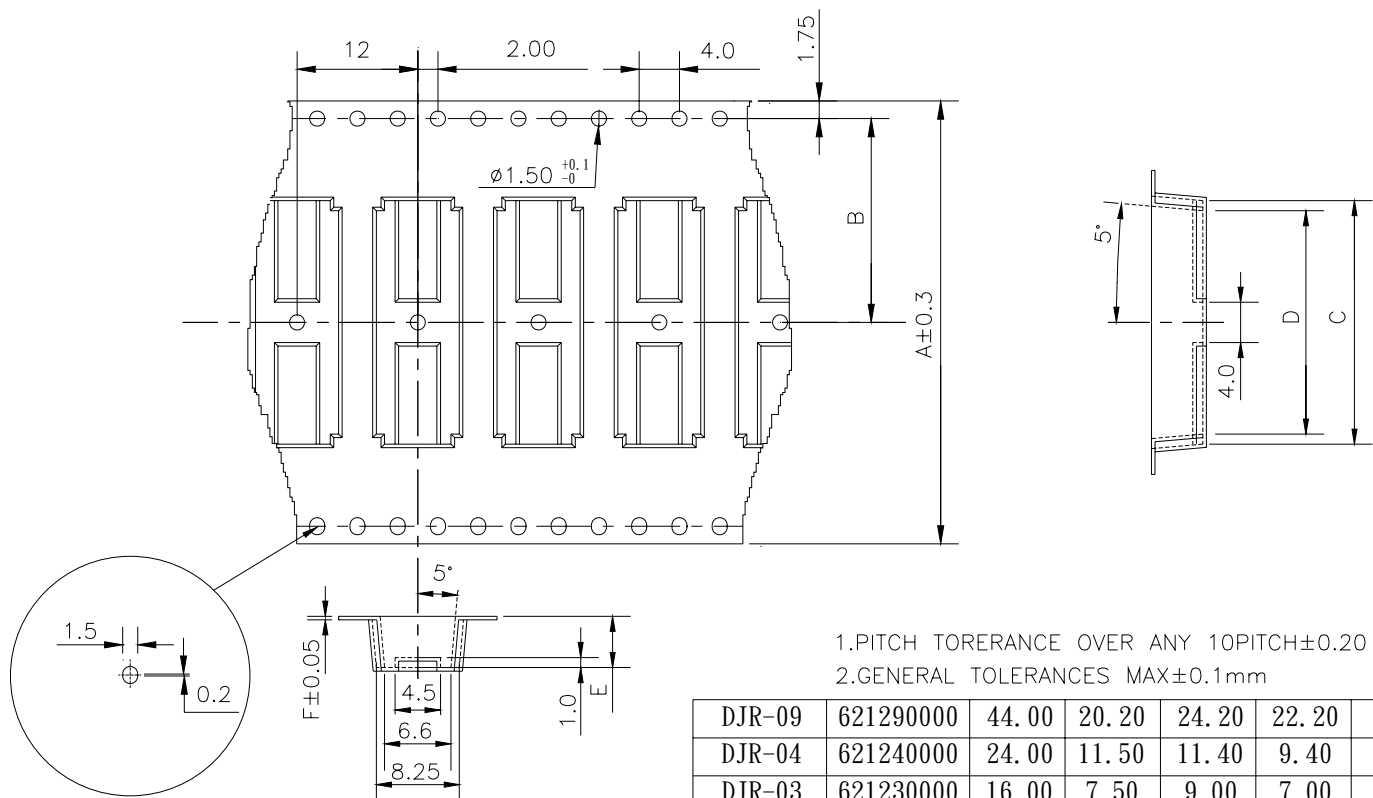
General Tolerance : ±0.1mm

DJR-08 REEL



General Tolerance : ±0.1mm

DJR-02,03,04,09



W:44(雙排孔)

1.PITCH TORERANCE OVER ANY 10PITCH±0.20  
2.GENERAL TOLERANCES MAX±0.1mm

DJR-09	621290000	44.00	20.20	24.20	22.20	5.0	0.35	37.5mm
DJR-04	621240000	24.00	11.50	11.40	9.40	5.0	0.35	21mm
DJR-03	621230000	16.00	7.50	9.00	7.00	4.5	0.35	13.3mm
DJR-02	621220000	16.00	7.50			5.0	0.35	13.3mm
PART NAME	PART NO	DIM A	DIM B	DIM C	DIM D	DIM E	DIM F	膠帶寬

General Tolerance : ±0.1mm