

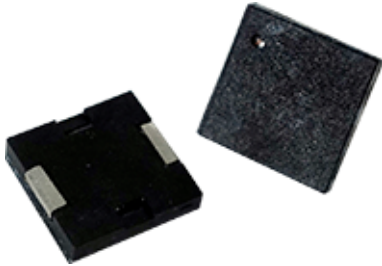
**Description**

Chinasound SMD Piezo Transducer 09mm length, type A(=9mm width,2.8mm height) , 3Vp-p rated voltage – 4.0KHz resonant frequency, lead Free reflowing solderable and RoHS compliant

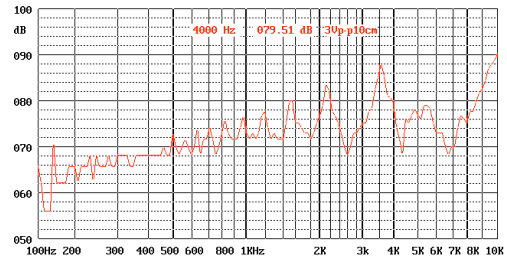
◆ **RoHS compliant**

- ◆ Reliable Solid State Piezoelectric Technology
- ◆ Corrosion Resistance Diaphragm
- ◆ Flame Retardant Plastic
- ◆ Tape and reel packaging for auto mounting

**Picture**



**Characteristics**



**Specification**

- Operating Voltage
- Operating Frequency
- Sound Output
- Operating Current
- Capacitance
- Operating Temp.
- Storage Temperature
- Termination
- Construction Materials

20 Vp-p max.  
 4000+/-500Hz  
 75dB min. at 3Vp-p 10cm 4KHz 25 °C  
 1mA max. at 3Vp-p  
 15,000+/-30% pF at 100Hz 1Vrms  
 -40 °C to +105 °C  
 -40 °C to +120 °C  
 2 soldering pads, Sn plated Brass  
 Plastic, LCP Vectra E130i or equal  
 Ni Alloy Disc N42 or equal

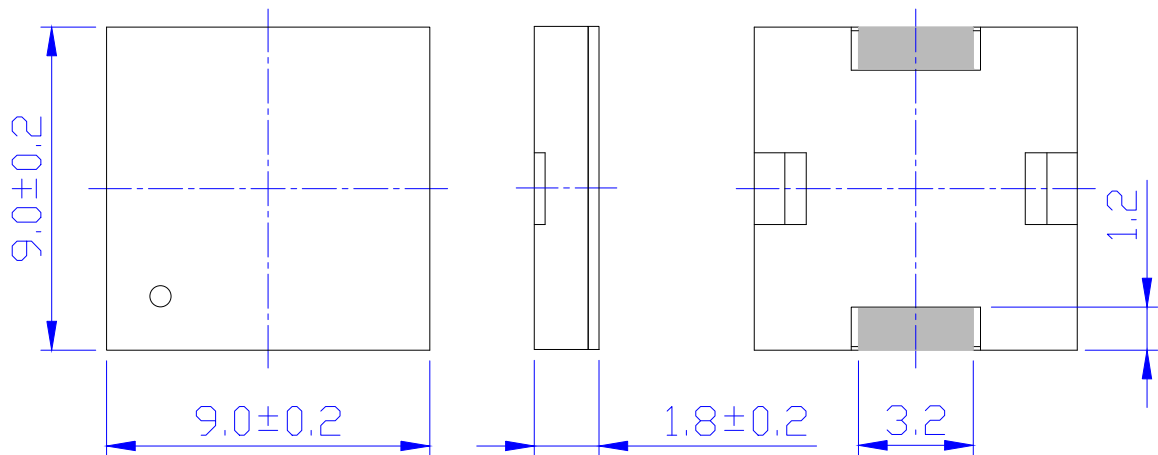
- Weight (Typical)
- Reliability

0.8g  
 At 3 Vp-p, 1 minutes ON 1 minutes OFF in room temperature continuously for 1000 hours  
 No function at +120+/-2 °C for 240 hours; Function at +105+/-2 °C for 240 hours  
 No function at -40+/-2 °C for 240 hours; Function at -40+/-2 °C for 240 hours  
 +40+/-2 °C, 95+/-5%RH, 240 hours  
 -30+/-2 °C 0.5 hr → +25+/-2 °C 0.25 hr → +105+/-2 °C 0.5 hr → +25+/-2 °C 0.25 hr. Temperature  
 Go up or Drop time is 0.5 hr. 3 hrs per 1 cycle. Total is 5 cycles  
 \*Vibration 1.5mm with 10 to 50Hz of vibration frequency to each of 3 perpendicular directions for 2 hours  
 \*Shock 980m/s<sup>2</sup> (=100g) shock for each mutually perpendicular directions, half sine wave, 3 times each  
 Dropped naturally from 750mm height onto the surface of 10mm wooden board. 2 directions – upper and side of the part are applied  
 \*Soldering Heat Resistance Samples put through reflowing soldering oven 2 twice  
 \*\*Solderability Samples put on PCB with solder paste through reflowing soldering oven 1 times  
 For a period of one (1) year from date of manufacture under normal operations

**Warranty**

\*All specifications must be satisfied after the test (Recovery:2 to 4 hrs of recovery under the standard condition after the removal from test chamber).  
 \*\*90% min. soldering pads shall be with solder.(except the edge of pad)

**Dimensions** (Unit:mm, Tolerance: ±0.3mm)



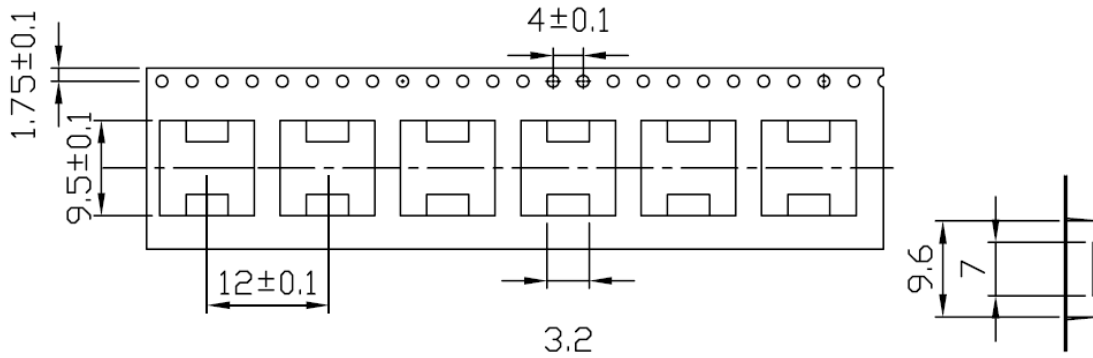
All specifications are subject to change without notice

Composed by: David Zhang/140704 Checked by: Johnny Zhu, James Zhu/140704 Approved by: William Wang/140704



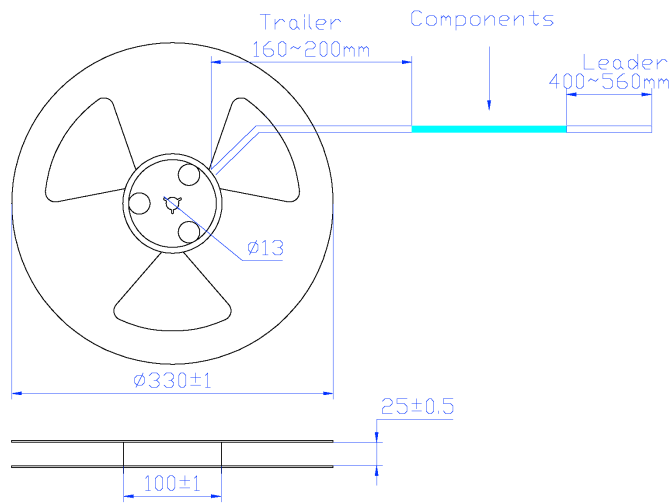
**CHANGZHOU CHINASOUND ELECTRONICS CO., LTD.**  
 Tel: +86-519-86182518 Fax: +86-519-86182519  
<http://www.chinasound.com>  
 email: market@chinasound.com

**Tape & Reel Dimensions** (Unit:mm)

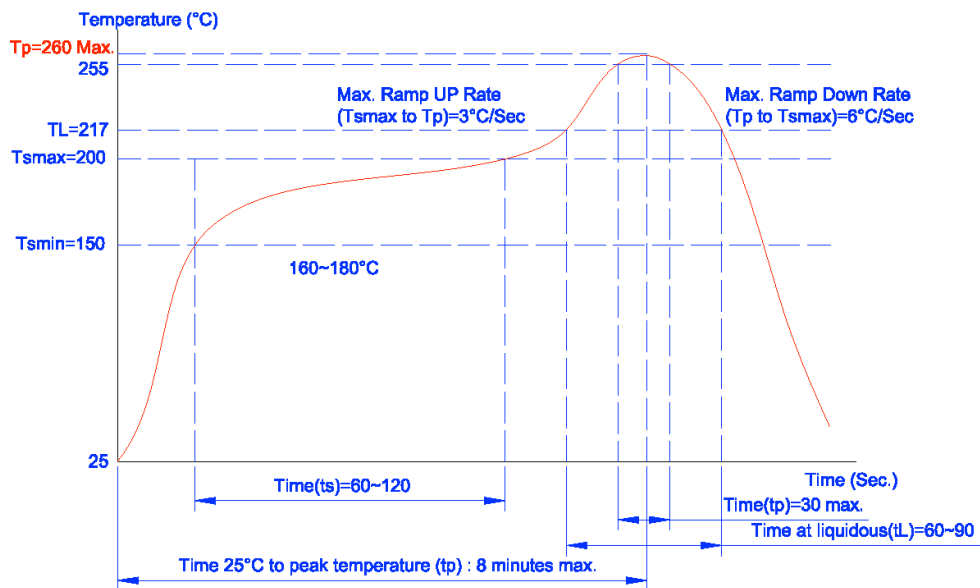


**NOTE:**

1. 10 sprocket hole pitch cumulative tolerance +/-0.20mm.
2. Carrier camber not to exceed 1 mm in 100 mm.
3. All dimensions meet EIA-481-2-A requirements.
4. Thickness: 0.40+/-0.05 mm.
5. Component loaded per 13" reel: suspend.



**Recommend Reflowing Profile** as per IPC/JEDEC J-STD-020D



All specifications are subject to change without notice

Composed by: David Zhang/140704 Checked by: Johnny Zhu, James Zhu/140704 Approved by: William Wang/140704

**ChinaSound**

**CHANGZHOU CHINASOUND ELECTRONICS CO., LTD.**

Tel: +86-519-86182518 Fax: +86-519-86182519

<http://www.chinasound.com>

email: [market@chinasound.com](mailto:market@chinasound.com)

### Revisions History

Version Number	Description	Name	Date
SP.1.04.067-A0	Preliminary, CSPT09A03-4.0F	David Zhang	2014-06-20
SP.1.04.067-A1	Original, CSPT09A03-4.0F	David Zhang	2014-07-04