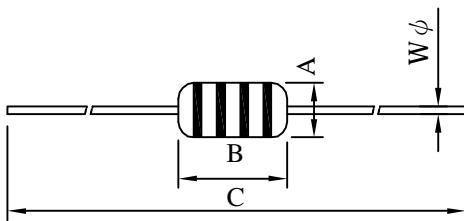


# SPECIFICATION FOR APPROVAL

REF. :

PROD. NAME	Axial Inductor	ABC'S DWG NO.	AA0307□□□□L□-□□□		
		REV.	20130807-G	PAGE	1

## I . Configuration and dimensions :



※Color code :

- 1st Color : First Significant Figure
- 2nd Color : Second Significant Figure
- 3rd Color : Multiplier
- 4th Color : Tolerance

Unit : m/m

A	B	C	Wφ
3.0 max.	7.5 max.	61.0 ref.	0.50

## II . Description :

- a . Ferrite drum core construction
- b . Enamelled copper wire : B class
- c . Product weight : 0.20 g ( ref. )
- d . Remark : Products comply with RoHS' requirements
- e . Halogen free available.

## III . General specification :

- a . Temp. rise : 20°C max.
- b . Ambient temp : 80°C max.
- c . Operating temp : -25°C ~ +85°C
- d . Terminal tensile strength : 1.0 KG min
- e . Terminal bending strength : 0.3 KG min
- f . Dielectric withstanding voltage : 250 Vrms
- g . Rated current : Base on temp. rise

AR-001C

# SPECIFICATION FOR APPROVAL

REF. :

PROD. NAME	Axial Inductor	ABC'S DWG NO.	AA0307□□□□L□-□□□		
		REV.	20130807-G	PAGE	2

IV . Electrical characteristics :

DWG No.	Inductance		Q min.	Test Freq. ( MHz )	SRF ( MHz ) min.	RDC ( Ω ) max.	IDC ( mA ) max.	Color Code			
	( μH )	Tol.						1st	2nd	3rd	4th
AA0307R10ML□-□□□	0.10	±20%	45	25.2	480.0	0.06	1400	BN	BK	SIL	—
AA0307R12ML□-□□□	0.12	±20%	45	25.2	450.0	0.06	1350	BN	R	SIL	—
AA0307R15ML□-□□□	0.15	±20%	45	25.2	420.0	0.07	1270	BN	GN	SIL	—
AA0307R18ML□-□□□	0.18	±20%	45	25.2	400.0	0.07	1200	BN	GY	SIL	—
AA0307R22ML□-□□□	0.22	±20%	45	25.2	380.0	0.08	1150	R	R	SIL	—
AA0307R27ML□-□□□	0.27	±20%	45	25.2	360.0	0.09	1100	R	V	SIL	—
AA0307R33ML□-□□□	0.33	±20%	45	25.2	320.0	0.10	1100	O	O	SIL	—
AA0307R39ML□-□□□	0.39	±20%	45	25.2	310.0	0.12	1000	O	W	SIL	—
AA0307R47ML□-□□□	0.47	±20%	45	25.2	300.0	0.15	1000	Y	V	SIL	—
AA0307R56ML□-□□□	0.56	±20%	45	25.2	280.0	0.18	950	GN	BU	SIL	—
AA0307R68ML□-□□□	0.68	±20%	45	25.2	240.0	0.20	900	BU	GY	SIL	—
AA0307R82ML□-□□□	0.82	±20%	45	25.2	200.0	0.22	900	GY	R	SIL	—
AA03071R0KL□-□□□	1.00	±10%	45	25.2	180.0	0.25	815	BN	BK	GD	SIL
AA03071R2KL□-□□□	1.20	±10%	45	7.96	160.0	0.28	740	BN	R	GD	SIL
AA03071R5KL□-□□□	1.50	±10%	45	7.96	140.0	0.30	700	BN	GN	GD	SIL
AA03071R8KL□-□□□	1.80	±10%	45	7.96	120.0	0.35	655	BN	GY	GD	SIL
AA03072R2KL□-□□□	2.20	±10%	45	7.96	110.0	0.40	630	R	R	GD	SIL
AA03072R7KL□-□□□	2.70	±10%	45	7.96	85.0	0.45	595	R	V	GD	SIL
AA03073R3KL□-□□□	3.30	±10%	45	7.96	74.0	0.50	575	O	O	GD	SIL
AA03073R9KL□-□□□	3.90	±10%	45	7.96	62.0	0.55	555	O	W	GD	SIL
AA03074R7KL□-□□□	4.70	±10%	45	7.96	48.0	0.60	530	Y	V	GD	SIL
AA03075R6KL□-□□□	5.60	±10%	45	7.96	35.0	0.65	500	GN	BU	GD	SIL
AA03076R8KL□-□□□	6.80	±10%	45	7.96	28.0	0.70	470	BU	GY	GD	SIL
AA03078R2KL□-□□□	8.20	±10%	45	7.96	20.0	0.80	425	GY	R	GD	SIL
AA0307100KL□-□□□	10.00	±10%	45	7.96	18.0	0.85	370	BN	BK	BK	SIL
AA0307120KL□-□□□	12.00	±10%	45	2.52	16.0	0.90	350	BN	R	BK	SIL
AA0307150KL□-□□□	15.00	±10%	45	2.52	14.0	1.00	335	BN	GN	BK	SIL
AA0307180KL□-□□□	18.00	±10%	45	2.52	12.0	1.20	315	BN	GY	BK	SIL
AA0307220KL□-□□□	22.00	±10%	45	2.52	10.0	1.35	285	R	R	BK	SIL
AA0307270KL□-□□□	27.00	±10%	45	2.52	9.0	1.80	270	R	V	BK	SIL
AA0307330KL□-□□□	33.00	±10%	45	2.52	8.0	2.10	255	O	O	BK	SIL
AA0307390KL□-□□□	39.00	±10%	45	2.52	7.5	2.30	240	O	W	BK	SIL
AA0307470KL□-□□□	47.00	±10%	50	2.52	7.0	2.60	205	Y	V	BK	SIL
AA0307560KL□-□□□	56.00	±10%	50	2.52	6.5	2.90	195	GN	BU	BK	SIL
AA0307680KL□-□□□	68.00	±10%	50	2.52	6.0	3.20	185	BU	GY	BK	SIL
AA0307820KL□-□□□	82.00	±10%	50	2.52	5.5	3.80	175	GY	R	BK	SIL
AA0307101KL□-□□□	100.00	±10%	50	2.52	5.0	4.20	165	BN	BK	BN	SIL
AA0307121KL□-□□□	120.00	±10%	50	0.796	4.8	4.50	160	BN	R	BN	SIL
AA0307151KL□-□□□	150.00	±10%	50	0.796	4.5	5.00	150	BN	GN	BN	SIL
AA0307181KL□-□□□	180.00	±10%	50	0.796	4.0	6.00	140	BN	GY	BN	SIL
AA0307221KL□-□□□	220.00	±10%	50	0.796	3.5	7.00	130	R	R	BN	SIL
AA0307271KL□-□□□	270.00	±10%	50	0.796	3.0	7.50	120	R	V	BN	SIL
AA0307331KL□-□□□	330.00	±10%	50	0.796	2.8	8.00	100	O	O	BN	SIL
AA0307391KL□-□□□	390.00	±10%	50	0.796	2.6	10.00	95	O	W	BN	SIL
AA0307471KL□-□□□	470.00	±10%	50	0.796	2.4	13.00	90	Y	V	BN	SIL
AA0307561KL□-□□□	560.00	±10%	50	0.796	2.0	15.00	85	GN	BU	BN	SIL
AA0307681KL□-□□□	680.00	±10%	50	0.796	1.8	16.00	75	BU	GY	BN	SIL
AA0307821KL□-□□□	820.00	±10%	50	0.796	1.6	23.00	65	GY	R	BN	SIL
AA0307102KL□-□□□	1000.00	±10%	50	0.796	1.4	26.00	60	BN	BK	R	SIL

1). Electrical specifications at 25°C

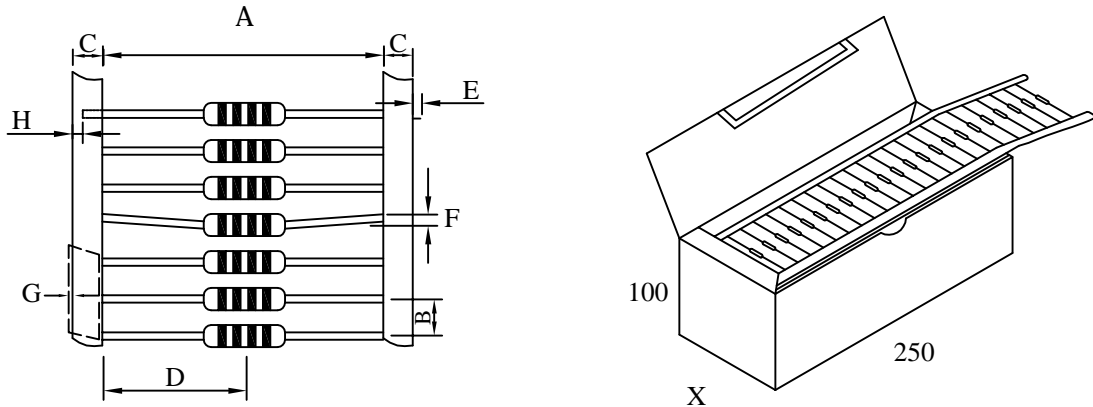
# SPECIFICATION FOR APPROVAL

REF. :

PROD. NAME	Axial Inductor	ABC'S DWG NO.		AA0307□□□□L□-□□□	
		REV.	20130807-G	PAGE	3

## V . Packaging information For AA Horizontal Taping In Box :

### (1) Configuration



### (2) Dimensions

Unit:m/m

Style	Item	Specification	Item	Specification
T 26	A	26.00±1.50	B	5.00±0.50
	D	13.00±0.50	C	6.00±1.00
	X	50.00±1.50	E	0.50 ( max )
	H	2.50 ( max )		
T 52	A	52.00±1.50	F	1.00 ( max )
	D	26.00±1.50	G	1.00 ( max )
	X	76.00±1.50	H	2.50 ( max )

### (3) Q'TY & G.W. Per package

Code	Inner : Box			Outer : Carton		
	Q'TY (pcs)	G.W. (gw)	Size ( m/m )	Q'TY (pcs)	G.W. (Kg)	Size (cm)
B、D	3,000	900	250 x 75 x 100	36,000	12.5	37.6 x 26.6 x 34.5

AR-001C

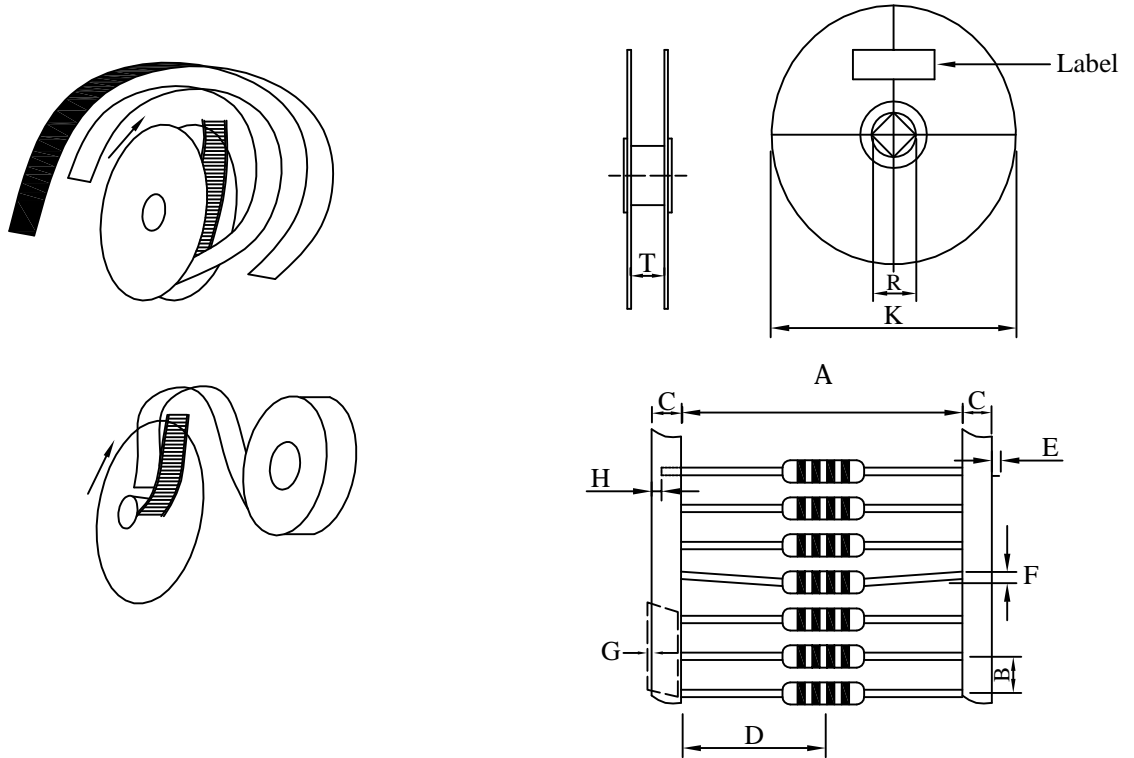
# SPECIFICATION FOR APPROVAL

REF. :

PROD. NAME	Axial Inductor	ABC'S DWG NO.	AA0307□□□□L□-□□□		
		REV.	20130807-G	PAGE	4

## VI . Packaging information For AA Horizontal Taping In Reel :

### ( 1 ) Configuration



### ( 2 ) Dimensions

Unit:m/m

Item	Specification	Item	Specification
A	52.00±1.50	F	1.00 ( max. )
B	5.00±0.50	G	1.00 ( max. )
C	6.00±1.00	K	355.00±0.50
D	26.00±1.50	R	15.00±0.50
E	0.50 ( max. )	T	71.00±3.00
H	2.50 ( max. )		

### ( 3 ) Q'TY & G.W. Per package

Code	Inner : Reel			Outer : Carton		
	Q'TY (pcs)	G.W. (gw)	Size ( m/m )	Q'TY (pcs)	G.W. (Kg)	Size (cm)
C	5,000	1,600	370 x 370 x 85	20,000	8.0	37.9 x 37.9 x 37.3

AR-001C

