

# VECO VANSONIC ENTERPRISE CO.,LTD.

8F.,No.7,Lane 16, Sec.2, Szechwan Road, Panchiao, Taipei Hsien, TAIWAN.

TEL: +886-2-29626335

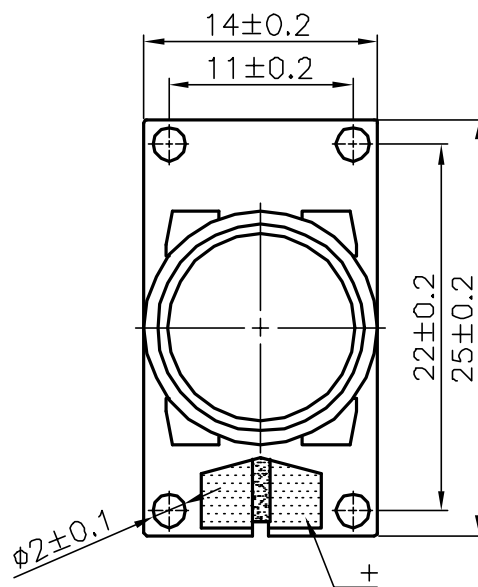
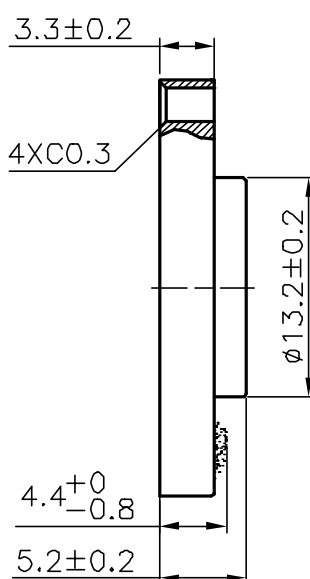
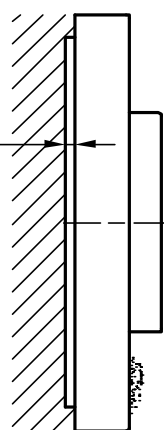
FAX: +886-2-29625220

E-MAIL:vansonic@ms4.hinet.net

1.	<b>MODEL:</b>	<b>25KC08-N</b>			
2.	Dimension	Outer Diameter	<b>25X14</b> mm.	Baffle Opening	<b>13X23</b> mm.
		Height	<b>Refer to Drawing</b> .	Weight	<b>2.4</b> Grams.
3.	Magnet	Materials	<b>Rare Earth</b> .	Size	<b>∅ 7.5X1.3</b> mm.
4.	Nominal Impedance	<b>8</b>	±	<b>15</b> %	
5.	Power Rating	Normal	<b>1.0</b> W.	Maximum	<b>1.5</b> W.
6.	Lowest Resonant Frequency	<b>600</b>	±	<b>20</b> %	Hz.
7.	Output Sound Pressure Lever (S.P.L.)	<b>79</b>	±	<b>3</b> db / 1.0 Watt .	<b>0.5</b> Meter.
		Average at <b>800, 1000, 1200, 1500</b> Hz.			
8.	Frequency Range	<b>350</b>	~	<b>20000</b> Hz.	Average S P L - 10 db.
9.	Distortion	<b>5</b> %	Maximum At	<b>1000</b> Hz.	<b>1.0</b> W.
10.	Abnormal Sound Test	Must Be Normal Tested By <b>2.83</b> Volts. Sine Wave.			
11.	Load Test	White Noise With Weighted Filter <b>2.83</b> Volts.(RMS) <b>24</b> Hrs.			
12.	Polarity	Diaphragm shall move Forward when Apply a Positive DC.			
		Current to the "+" or "Marked" Terminal.			

## MOUNTING NOTICE

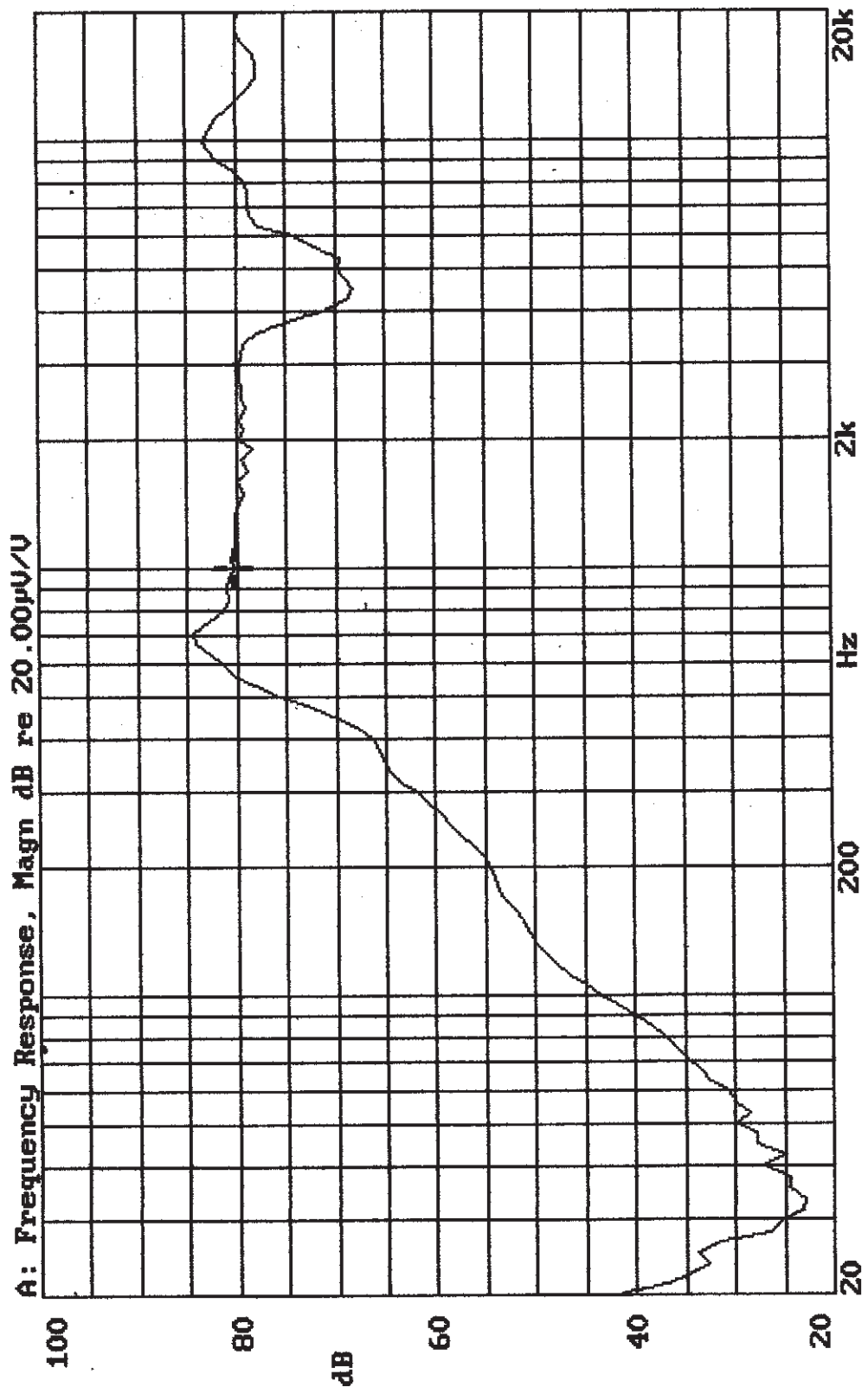
AT LEAST  
0.8  
FOR  
DIAPHRAGM  
MOVING



Unit : mm

Housing Material : ABS

25KC08-N VOL:2.83V(1W) DIS:0.5M VANSOONIC  
X:1.0000kHz \*Y:80.47dB ZA:1.0000 SSR Fund.



20-FEB-2002 11:05:52

Mode: SSR

